



# SKY66430-11

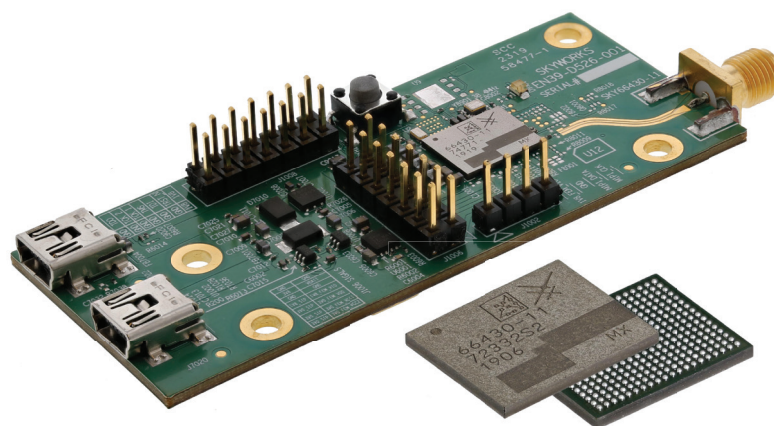
## World's Smallest Massive IoT Solution

### Features

- Turnkey LTE/5G Solution Covering
  - 18 Bands
  - 700 MHz -2.2 GHz
- LTE-M and NB-IoT Ready
- Pre-Certified by
  - Carrier, Industry and Regulatory Bodies
- Low Power Consumption
- Proprietary Conformal Shielding

### Benefits

- Enables Overall Size Reduction
- Simplifies End Product Development
- Reduces Development Costs



**SKY66430-11 package size: 8.8 x 10.8 x 0.95 mm**



### Winner of the IoT Semiconductor Product of the Year

In 2019, our SKY66430-11 Mobile IoT system-in-package was named “IoT Semiconductor Product of the Year” by IoT Breakthrough. IoT Breakthrough is an independent organization that recognizes the top companies, technologies and products in the global IoT market. Skyworks was selected from more than 3,500 nominations representing companies all over the world and awards were evaluated by an autonomous panel of experienced IoT professionals.



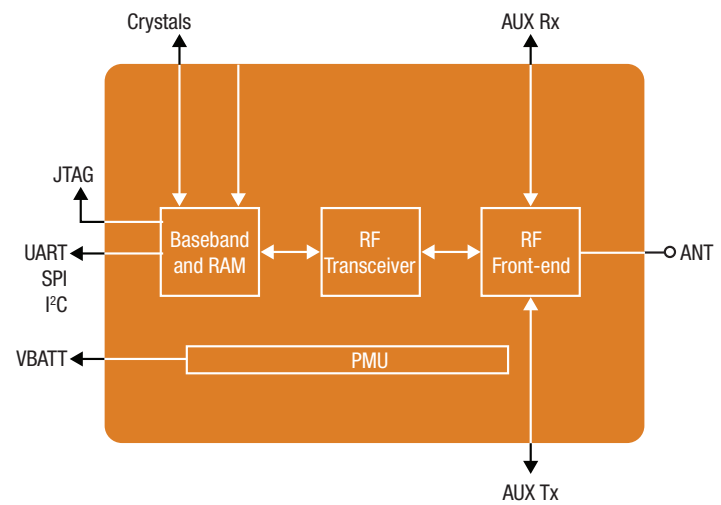
**SKYWORKS®**

# SKY66430-11

*Leveraging Systems Expertise,  
Advanced Packaging, and Operational Scale*

### Applications

- Wearables
- Personal and Asset Trackers
- Alarm Systems
- Security Cameras
- Industrial Monitoring
- Low-power IoT Devices



### Reference Design Partner



Skyworks, in partnership with Sequans, is enabling devices that will seamlessly connect to 5G IoT networks.

### Technology Leader



[www.skyworksinc.com](http://www.skyworksinc.com)

USA: 949-231-3000 | Asia: 886-2-2735 0399 | Europe: 33 (0)1 43548540 | NASDAQ: SWKS |