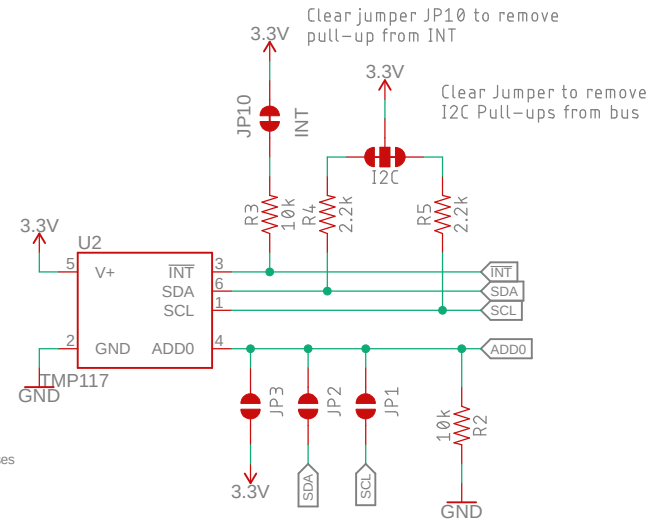
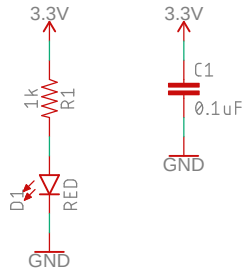
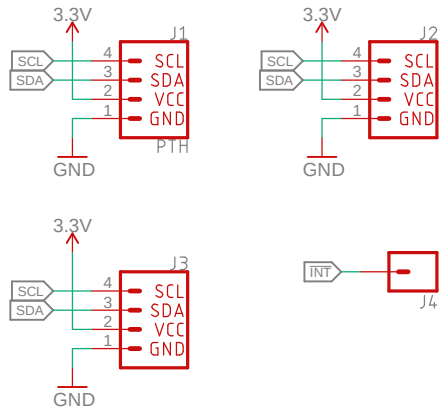


TMP117 Temperature Sensor



ADD0 Address Pin and Slave Addresses
 GND: 1001000x (0x48)
 V+: 1001001x (0x49)
 SDA: 1001010x (0x4A)
 SCL: 1001011x (0x4B)

I2C Connections



Released under the Creative Commons Attribution Share-Alike 4.0 License https://creativecommons.org/licenses/by-sa/4.0/		8
TITLE: Qwiic_TMP117		
Design by: Madison Chodikov		REV:
Date: 5/31/2019 10:44 AM	Sheet: 1/1	