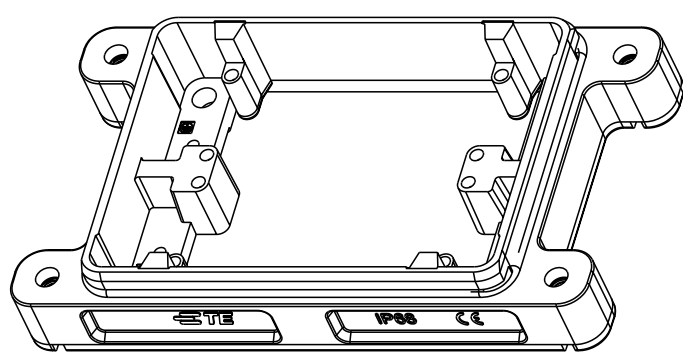
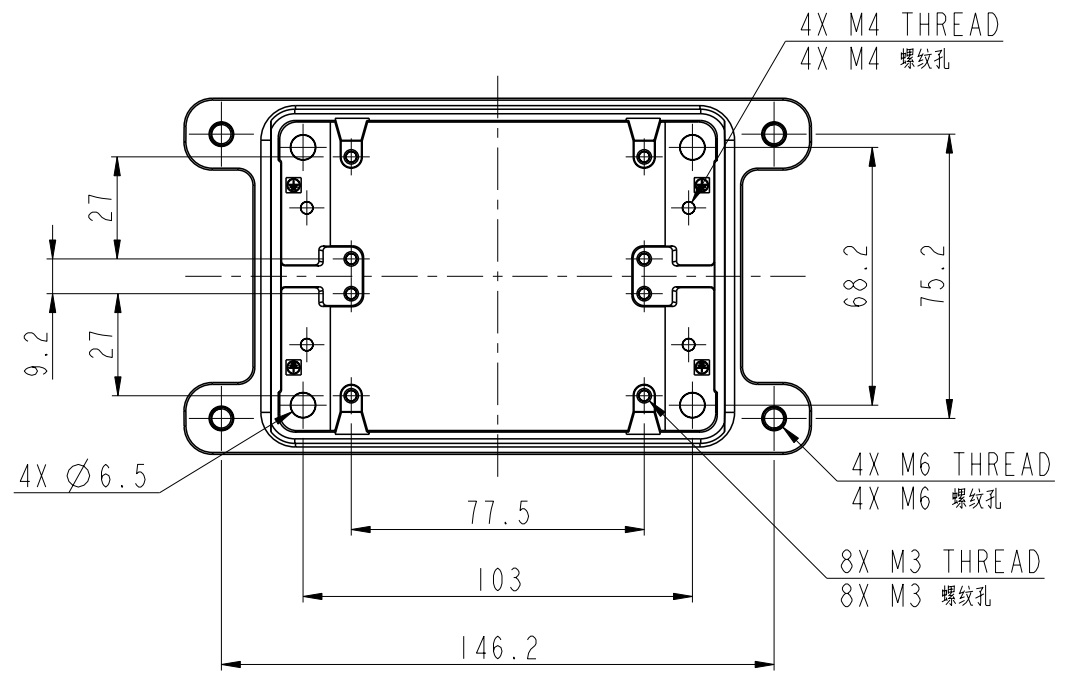


THIS DRAWING IS UNPUBLISHED. RELEASED FOR PUBLICATION 20
 © COPYRIGHT 20 BY - ALL RIGHTS RESERVED.

REVISIONS					
P	LTR	DESCRIPTION	DATE	DWN	APVD
	A	INITIAL	23AUG2016	QY	CW
	A1	ECR-16-014639	15OCT2016	QY	CW
	B	ECR-20-015187	26MAY2021	BS	CW

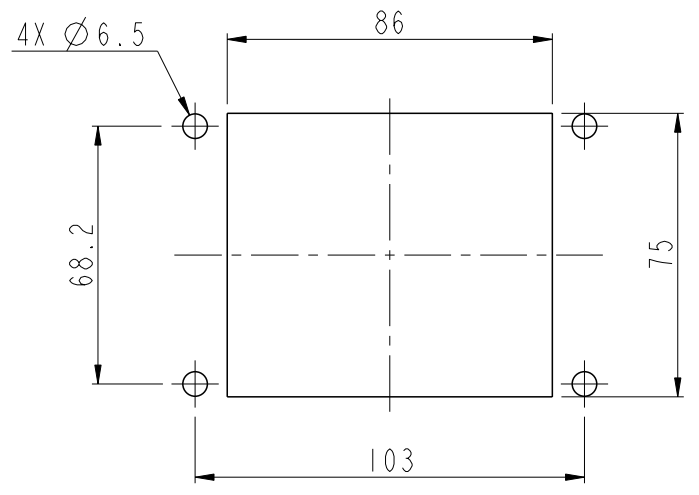
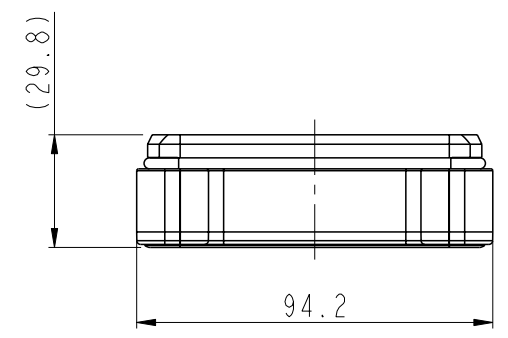
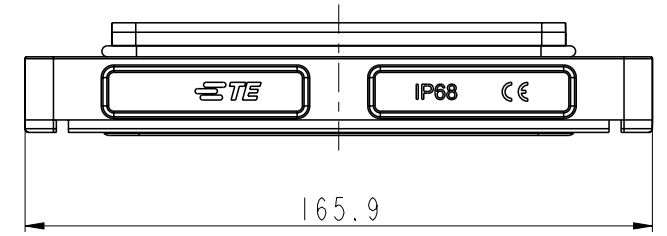


NOTES:

- 1. TECHNICAL CHARACTERISTICS:
 HOOD MATERIAL: DIE CAST ALUMINIUM ALLOY
 SURFACE: POWDER COATED
 DEGREE OF PROTECTION: IP68 (MATED)

注释:

- 1. 技术参数:
 上壳材料: 铝合金
 表面处理: 粉末喷涂
 防护等级: IP68(配合)



PANEL CUT OUT DIMENSION, ONLY FOR REFERENCE
 板面开口尺寸, 仅供参考

T1936322000-000	H32BPR-AG-4S	H32BPR HOUSING, QUADRANGLED SCREW LOCKING, BULKHEAD MOUNTED, POWDER COATED, GREY H32BPR下壳, 四角锁定, 开孔安装, 灰色粉末喷涂
T1936320000-000	H32BPR-AG-4S	H32BPR HOUSING, QUADRANGLED SCREW LOCKING, BULKHEAD MOUNTED, POWDER COATED, BLACK H32BPR下壳, 四角锁定, 开孔安装, 黑色粉末喷涂
PART NUMBER 料号	PART DESCRIPTION 描述	

THIS DRAWING IS A CONTROLLED DOCUMENT.

DIMENSIONS:	TOLERANCES UNLESS OTHERWISE SPECIFIED:
mm	
	0 PLC ±-
	1 PLC ±--
	2 PLC ±-
	3 PLC ±-
	4 PLC ±-
	ANGLES ±-
MATERIAL	FINISH
-	-
-	-

DWN	23AUG2016
CHK	23AUG2016
APVD	23AUG2016
PRODUCT SPEC	108-137014
APPLICATION SPEC	114-137014
WEIGHT	-
CUSTOMER DRAWING	

STE TE Connectivity

NAME: H32BPR-AG-4S

SIZE	CAGE CODE	DRAWING NO	RESTRICTED TO
A3	-	©-T1936320000000	-

SCALE: 1:2 SHEET 1 OF 1 REV B

Printed on 26 May 2021 15:24 (China Standard Time) from TE236667