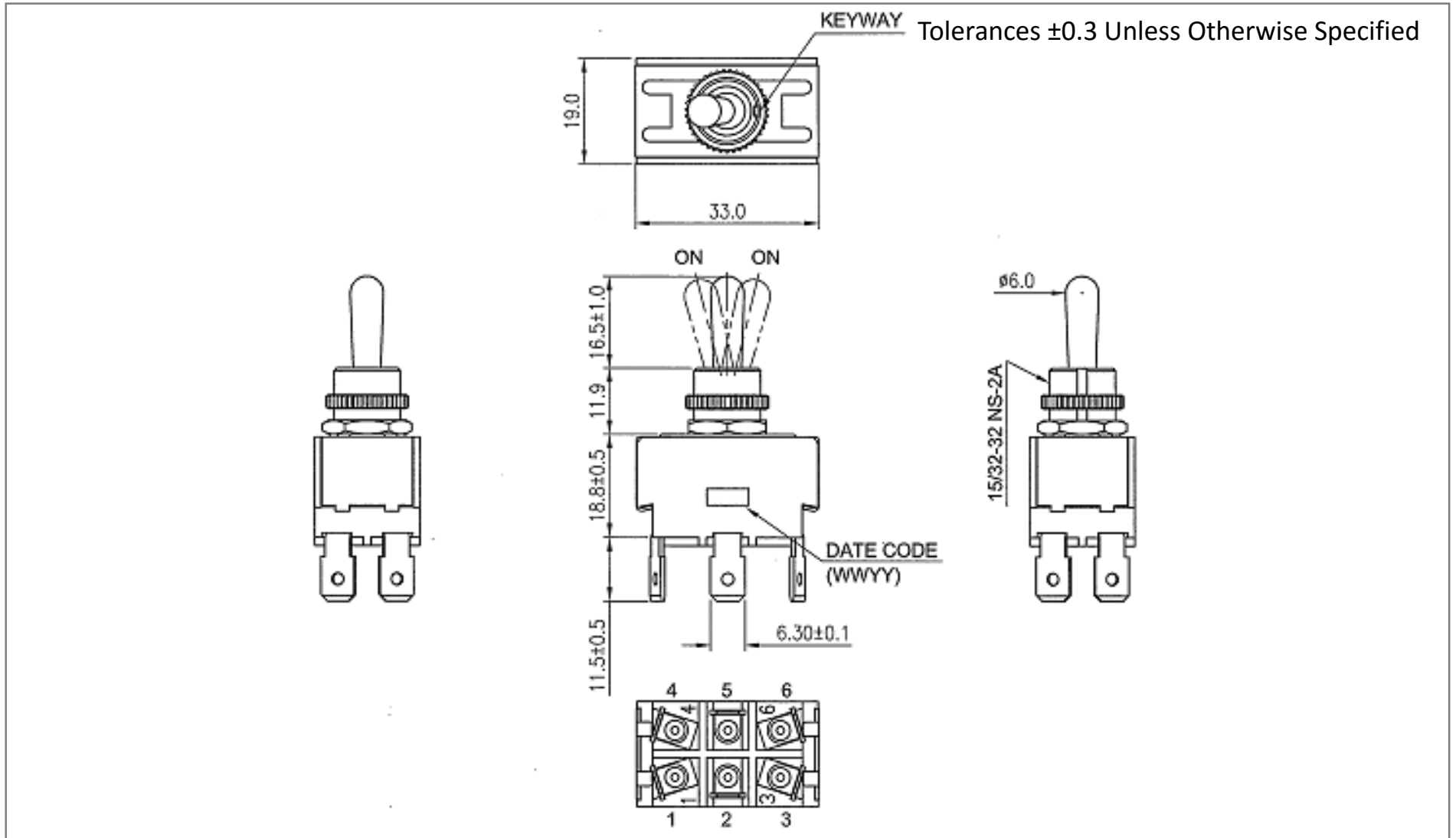
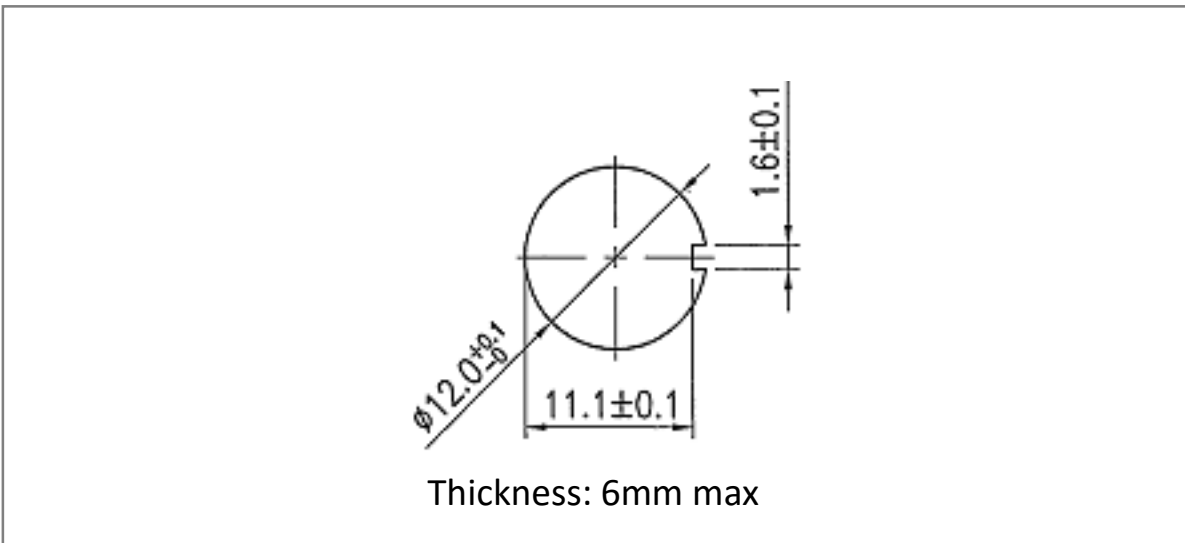


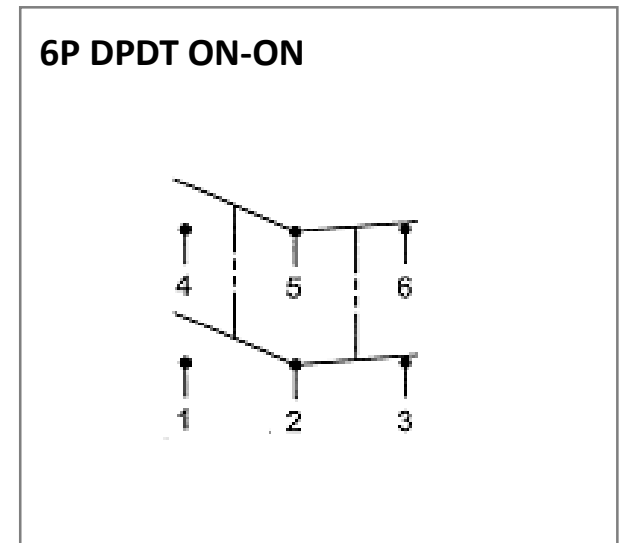
Mechanical Dimensions (mm)



Mounting Hole



Circuit Diagram



Electrical Specifications

| | |
|-----------------------|-----------------------|
| Rating | 21A 14V DC |
| Contact Resistance | 50m ohm Max. |
| Insulation Resistance | DC 500V 100M ohm Min. |
| Dielectric Strength | AC 1500V 1 minute |
| Operation force | 1200gf ± 300 gf |

Material Specifications

| |
|------------------|
| 1 HEX NUT ASSY |
| 1 KNURL NUT ASSY |