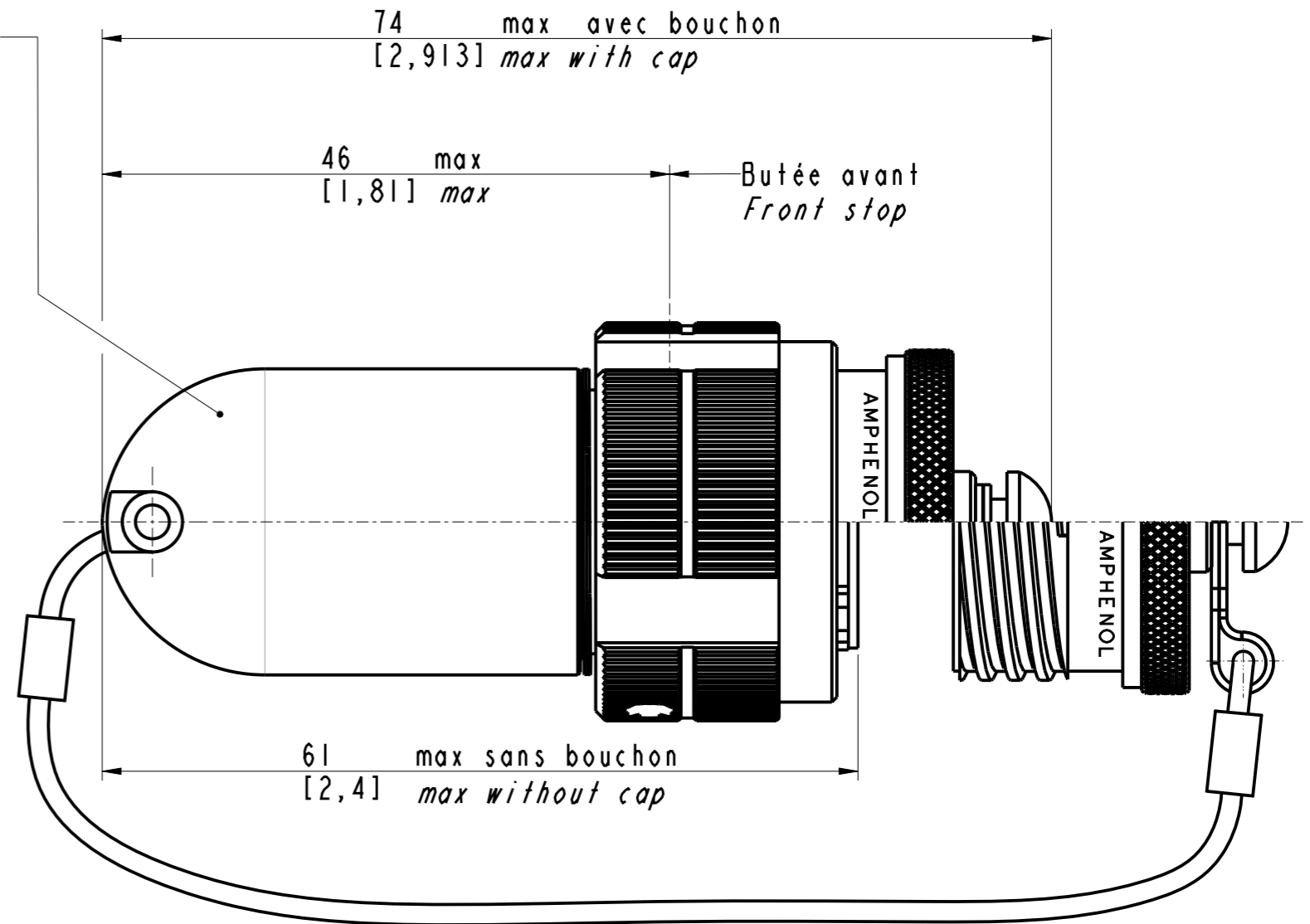
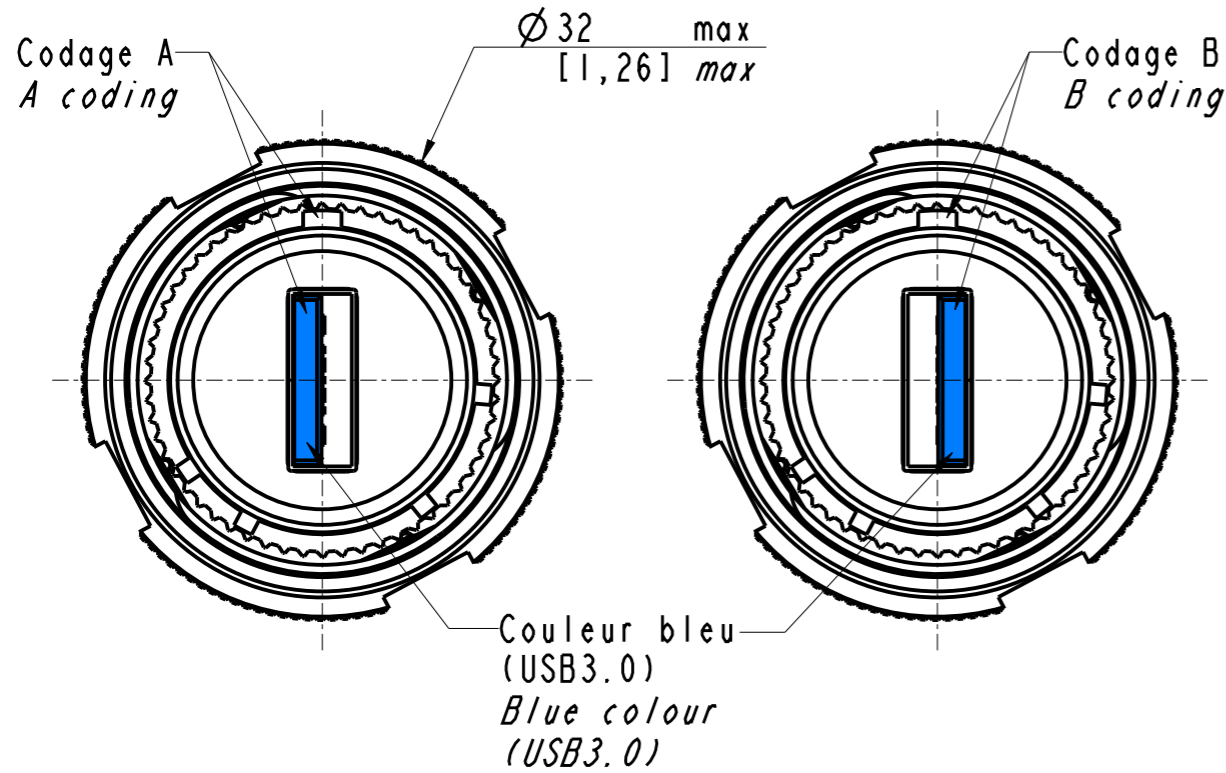


IN THE CONSTANT PURPOSE OF IMPROVING ITS PRODUCTS, Amphenol Socapex RESERVES THE RIGHT TO MODIFY ANY DIMENSION OR CHARACTERISTICS. FM.NPD.0076.THYEZ.PUNE rev A

Corps vissé avec du frein filet.
Ne pas dévisser car cela endommagera l'électronique à l'intérieur.
*Backshell screwed with thread locking.
Do not unscrew or it will break the electronic inside.*



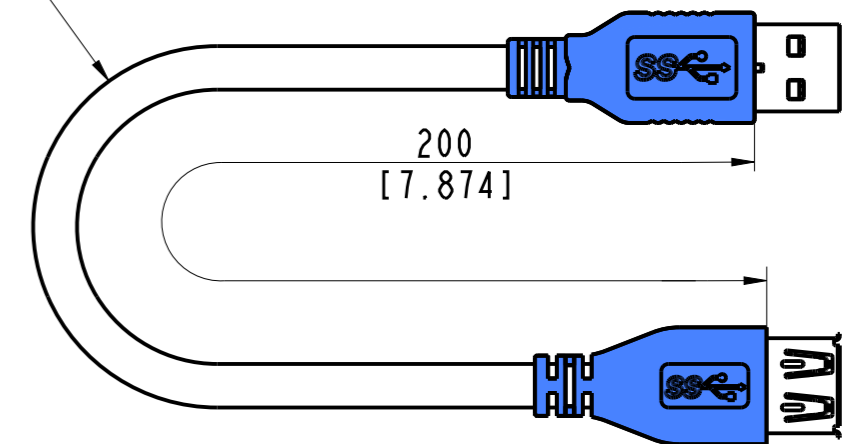
ⓑ Capacité mémoire
Memory capacity:
32, 64, 128, 256 GB

Protection / Plating:
G: Cadmium vert olive (not RoHS)
Olive drab cadmium
N: Nickel (RoHS)
ZN: Zinc nickel noir (RoHS)
Black zinc nickel

Codage / Coding:
A ou **B**

bouchon / Cap:
CAP: avec bouchon / with cap
(): sans bouchon / without cap

Cordon mâle / femelle USB3.0
Male / female USB3.0 cordset



USB3F TV KEY 6 x xxx x xxx APA UV

Clés memoire USB3FTV avec PLM "gestion de la vie du produit"
et gamme de température -40°C / +85°C.
*USB3FTV memory keys with PLM "Product life management"
and temperature range: -40°C / +85°C.*

DRAWN BY: G TUPIN		UPDATED BY: G TUPIN		LAST APPROVED BY: M RINSANT	
ALL DIMENSIONS ARE IN MM		AMPHENOL SOCAPEX		ORIGINAL DRAWING DATE: 26/11/19	CONFIGURATION DATA ARE AVAILABLE IN PDM
SCALE: 2,0				REV: B	PAGE: 1/1
		B.P. 29 74311 THYZE CEDEX		191-PLC-935-00	