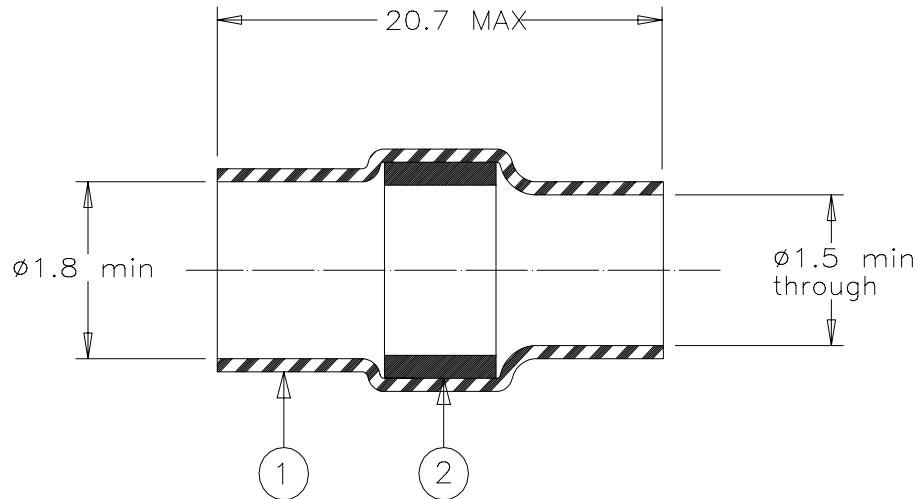


SPECIFICATION CONTROL DRAWING



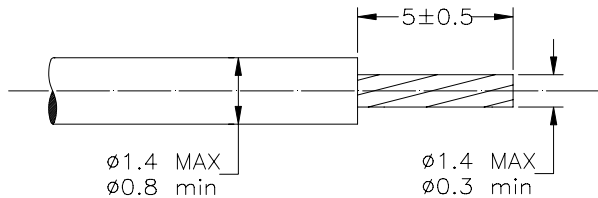
MATERIAL

1. **INSULATION SLEEVE:** Heat-shrinkable, radiation cross-linked modified polyvinylidene fluoride.
Transparent blue.
2. **SOLDER PREFORM WITH FLUX:**
SOLDER: TYPE Sn62 Pb36 Ag02 B per ANSI J-STD-006.
FLUX: TYPE ROL1 per ANSI J-STD-004.

APPLICATION

1. This controlled soldering device is designed for termination of a stranded wire (AWG22 to AWG30) having an insulation rated for at least +125°C on to a post (□ 0.6).
2. Temperature range: -55°C to +150°C.
3. For application tooling, consult your local RAYCHEM technical service.

For best results, prepare the cable as shown:



*A trademark of Raychem Corporation.

Raychem		THERMOFIT DEVICES	Raychem 300 Constitution Drive Menlo Park, CA 94025 USA	TITLE: SOLDERSLEEVE* DEVICE			
UNLESS OTHERWISE SPECIFIED DIMENSIONS ARE IN MILLIMETERS.				DOCUMENT NO.: W-040-49			
TOLERANCES: 0.00 N/A 0.0 N/A 0 N/A	ANGLES: N/A ROUGHNESS IN MICRON	Raychem reserves the right to amend this drawing at any time. Users should evaluate the suitability of the product for their application.		DCR NUMBER: D981106		REPLACES: W04049	
DRAWN BY: R. MAPALO	DATE: 07/20/98	REV.: D	DOC ISSUE: 1	SCALE: NONE	SIZE: A	SHEET: 1 of 1	

If this document is printed it becomes uncontrolled. Check for the latest revision