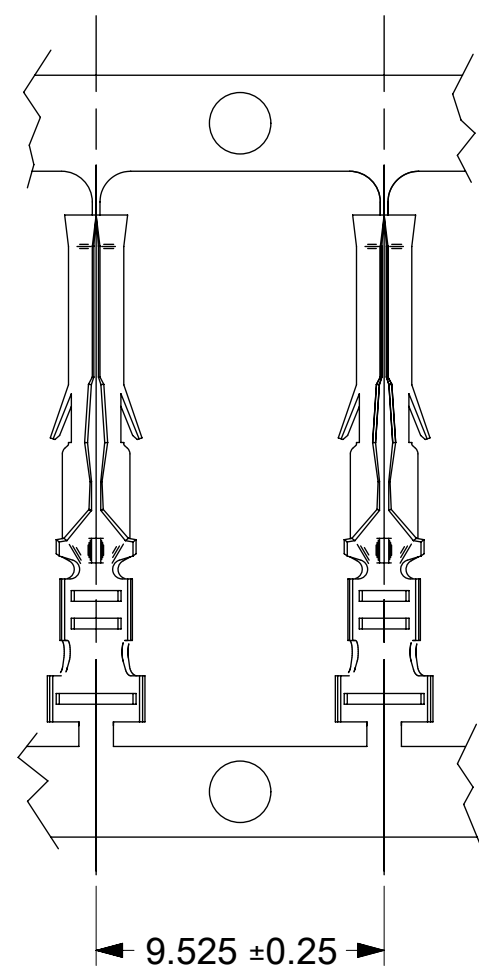
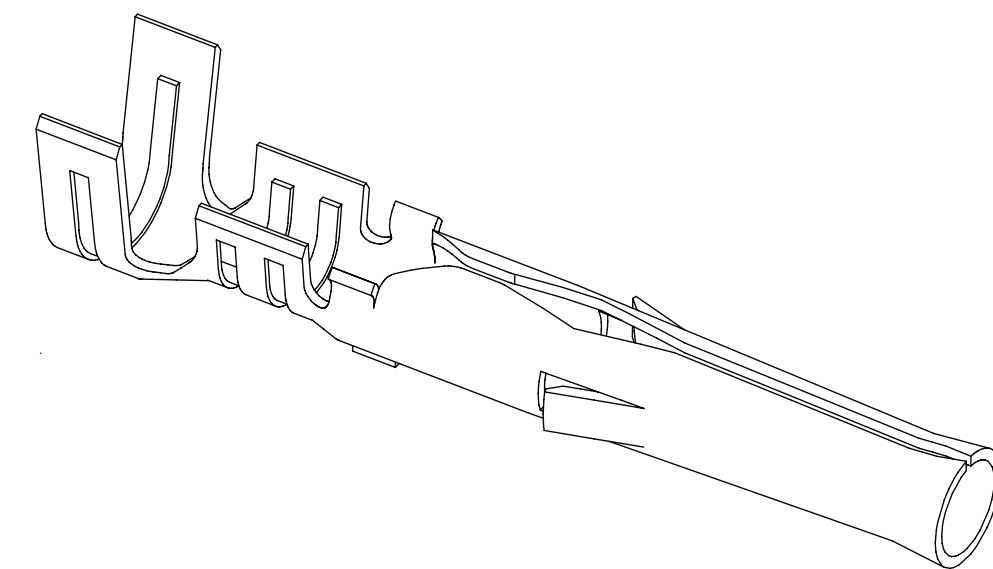
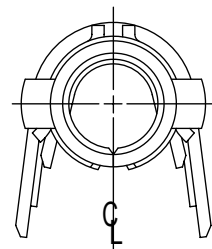
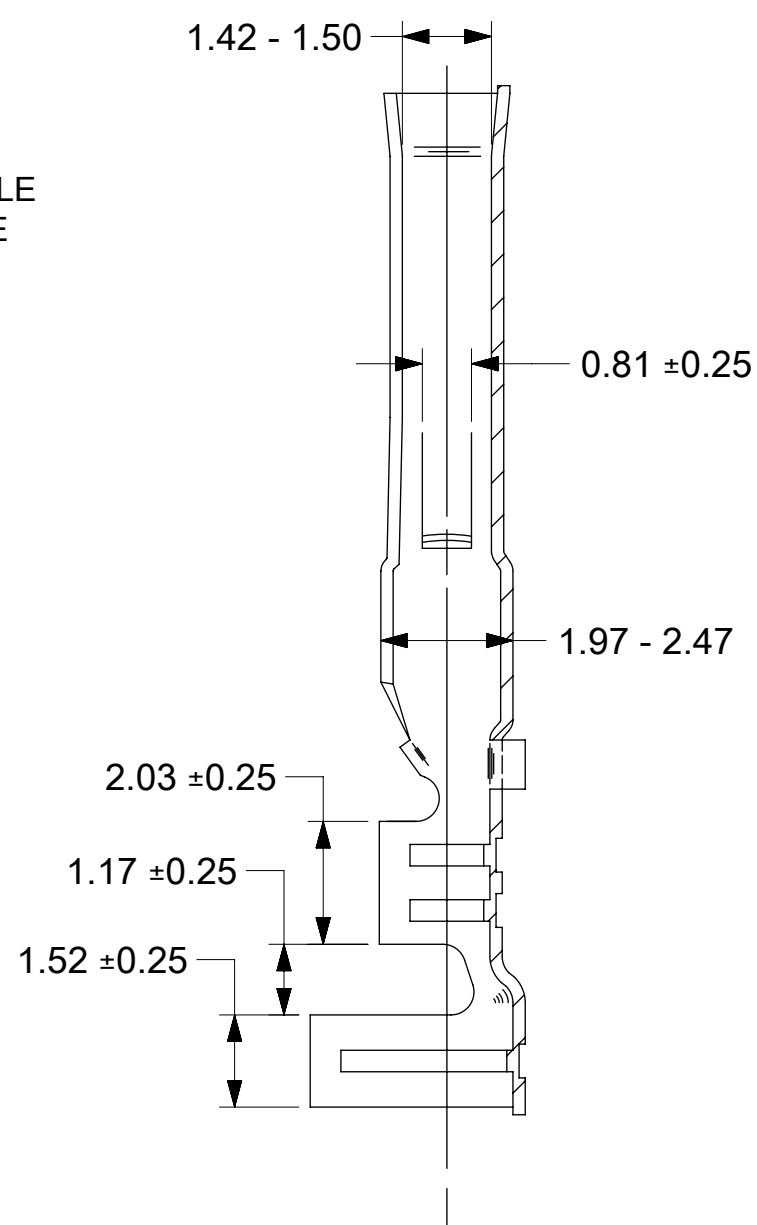
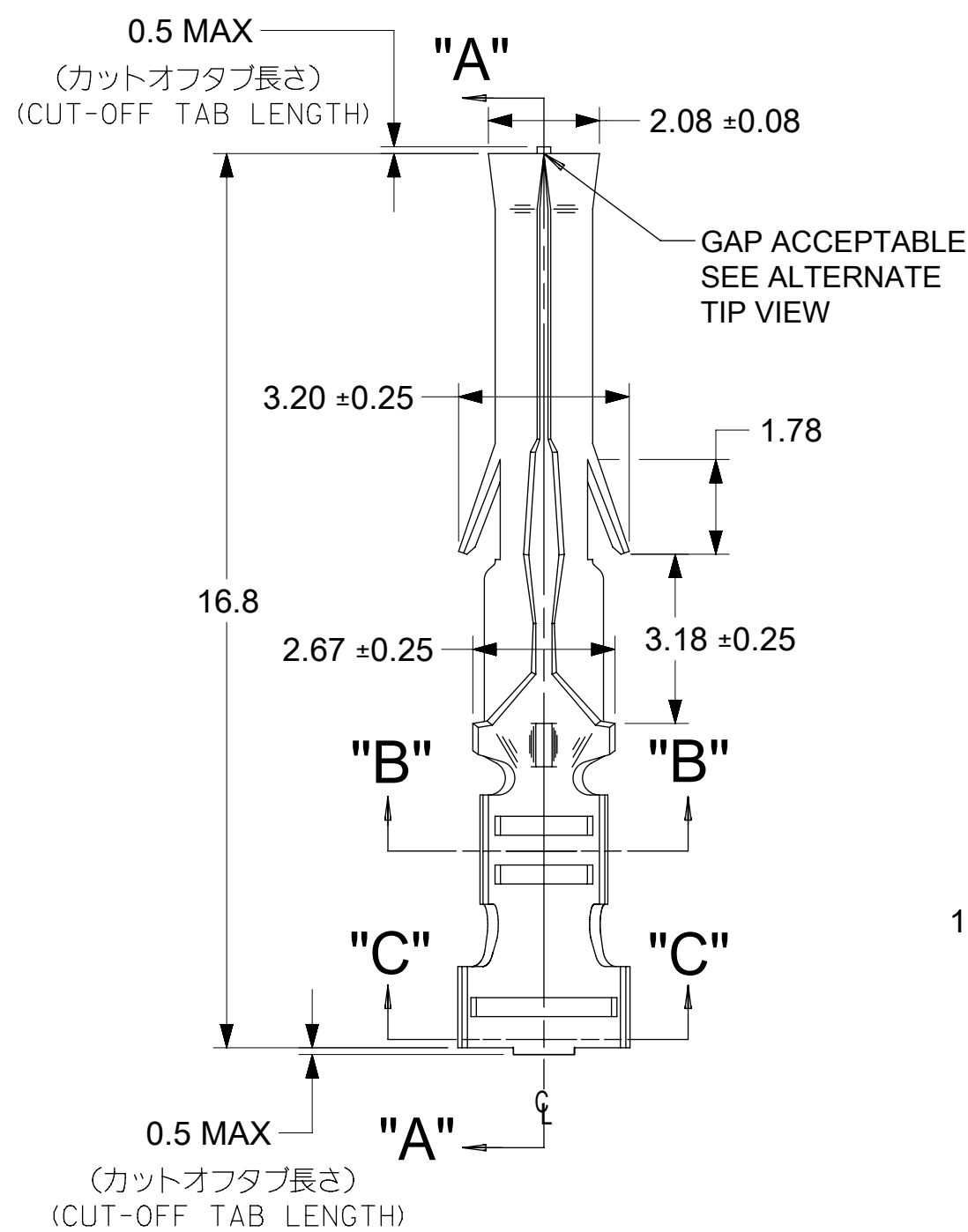


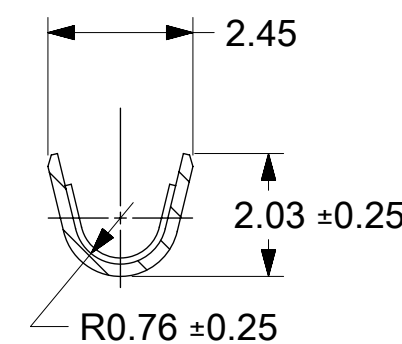
ALTERNATE TIP  
GEOMETRY  
SEE NOTE 7



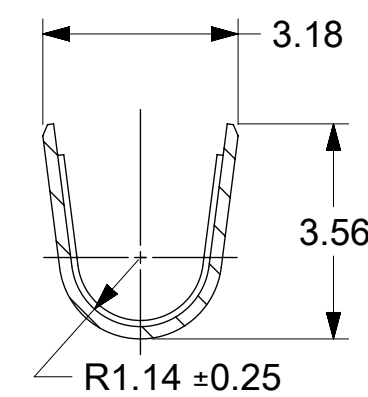
CHAIN FORM  
SCALE: 4:1



SECT. "A-A"



SECT. "B-B"



SECT. "C-C"

NOTES:

1. MATERIAL: BRASS
2. FINISH: SEE CHART
3. PRODUCT SPECIFICATION: PS-02-06
4. PACKAGING INFORMATION: 15610000-PK
5. TERMINAL FOR USE WITH (1.57)/.062 DIA. SERIES HOUSINGS AND WILL ACCEPT 18 THRU 24 AWG WIRE WITH 1.5/3.1 INSULATION DIA.
6. PARTS CONFORM TO CLASS B REQUIREMENTS OF COSMETIC SPECIFICATION PS-45499-002.
7. TIP GEOMETRY IS TOOL DEPENDENT. EITHER GEOMETRY IS ACCEPTABLE.

一般公差 : ±0.4  
GENERAL TOLERANCES: ±0.4

銅 (0.5 μm MIN.) 下地 錫 (0.9 μm MIN.) TIN (0.9 μm MIN.) OVER COPPER (0.5 μm MIN.)	39-00-0279	1561T	連鎖状端子 CHAIN
メッキ PLATING	EDP.NO.	ENG.NO.	形状 FORM

THIS DRAWING CONTAINS INFORMATION THAT IS PROPRIETARY TO MOLEX ELECTRONIC TECHNOLOGIES, LLC AND SHOULD NOT BE USED WITHOUT WRITTEN PERMISSION

DIMENSION UNITS <b>mm</b>	SCALE <b>8:1</b>	CURRENT REV DESC: OBSOLETE PART NUMBER AS PER PCN#509988	<b>molex</b>		
GENERAL TOLERANCES (UNLESS SPECIFIED)		EC NO: 704776			
ANGULAR TOL ± °		DRWN: SUGEEB 2022/03/29	PRODUCT CUSTOMER DRAWING		
4 PLACES ±		CHK'D: GGA 2022/05/24	DOCUMENT NUMBER		
3 PLACES ±		APPR: GGA 2022/05/24	SD-1561-001		
2 PLACES ±		INITIAL REVISION:	DOC TYPE   DOC PART   REVISION		
1 PLACE ±		DRWN: YAOYAGI 2009/02/16	PSD 001 M1		
0 PLACES ±		APPR: NUKITA 2009/02/17	MATERIAL NUMBER   CUSTOMER		
DRAFT WHERE APPLICABLE MUST REMAIN WITHIN DIMENSIONS	THIRD ANGLE PROJECTION	DRAWING	SEE TABLE   GENERAL MARKET		
		SERIES	SHEET NUMBER		
		<b>C-SIZE</b>	1561		
			1 OF 1		

材料 MATERIAL	黄銅 BRASS	0.2 t
仕上げ FINISH		
適用電線範囲 WIRE RANGE	AWG#18-#24	
被覆外径 INS. RANGE	φ 1.5~3.1	

DOCUMENT STATUS	P1	RELEASE DATE	2022/05/24	10:34:33
-----------------	----	--------------	------------	----------