

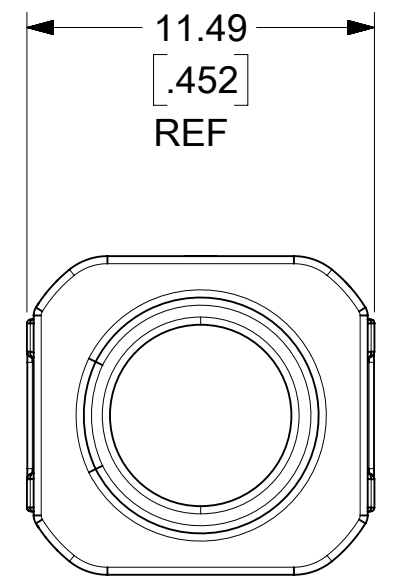
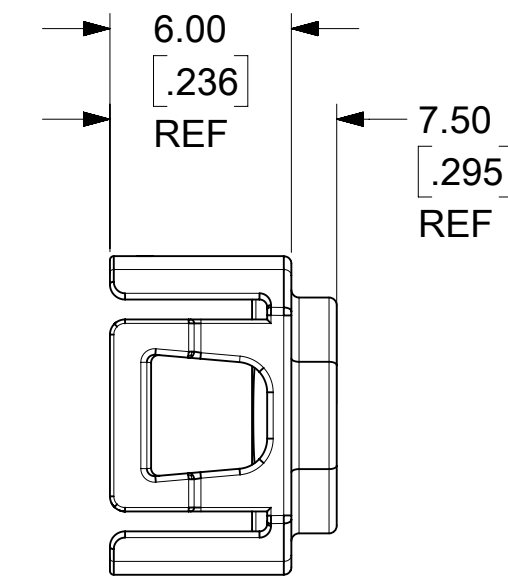
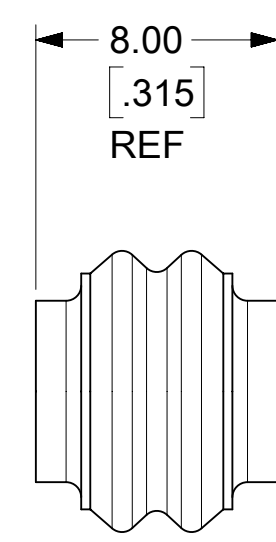
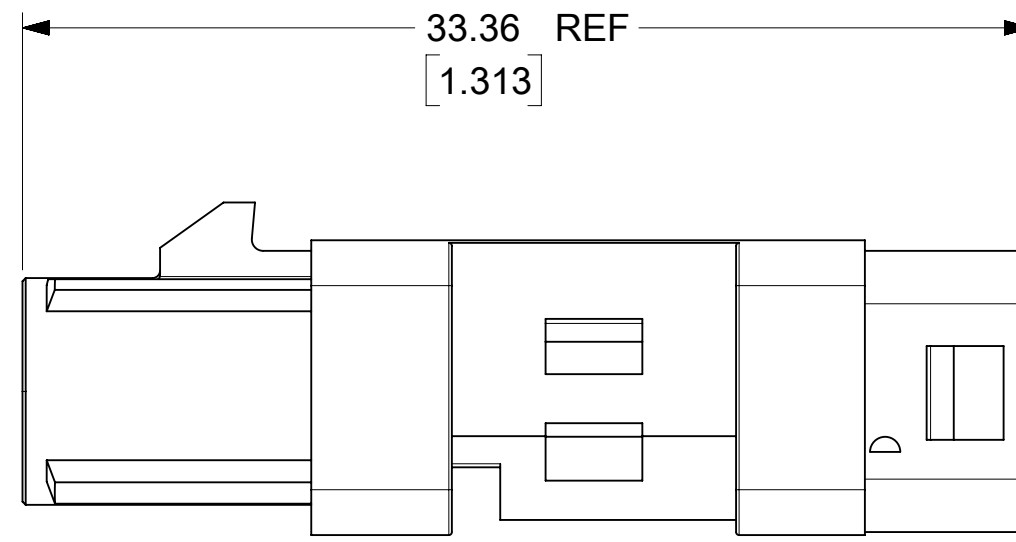
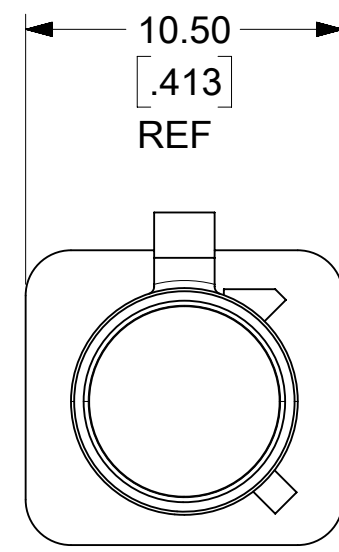
**MATERIALS AND FINISHES**

SMB (73404-3570): SEE SD-73404-357  
 SHROUD: SPS/PA66  
 COLOR SEE SHEET 2

END CAP, ISL CLIP SLOT: SPS/PA66  
 COLOR BLACK

CABLE SEAL: A4005 SILICONE RUBBER  
 40 DUROMETER. COLOR GREEN

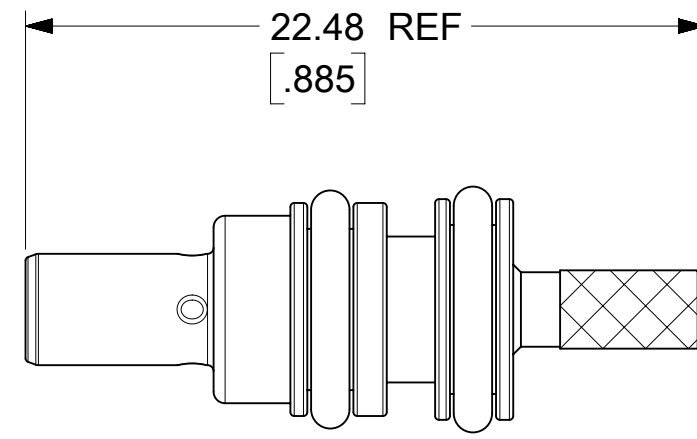
CRIMP TUBE: COPPER  
 PLATED: TIN(100μ-in MIN)OVER  
 NICKEL (100μ-in MIN)



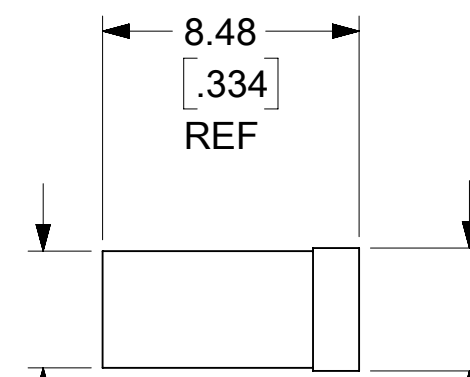
FAKRA JACK SHROUD  
 (CODE F SHOWN)

CABLE SEAL

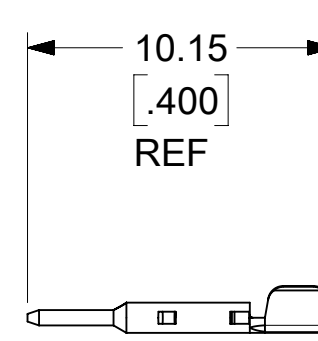
END CAP



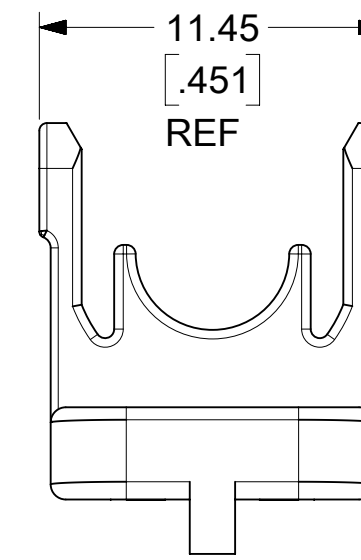
SMB JACK  
 SUB-ASSEMBLY



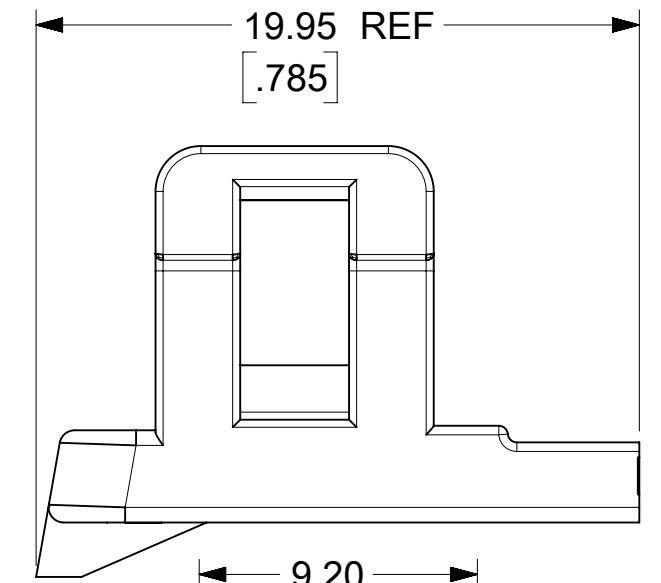
CRIMP TUBE



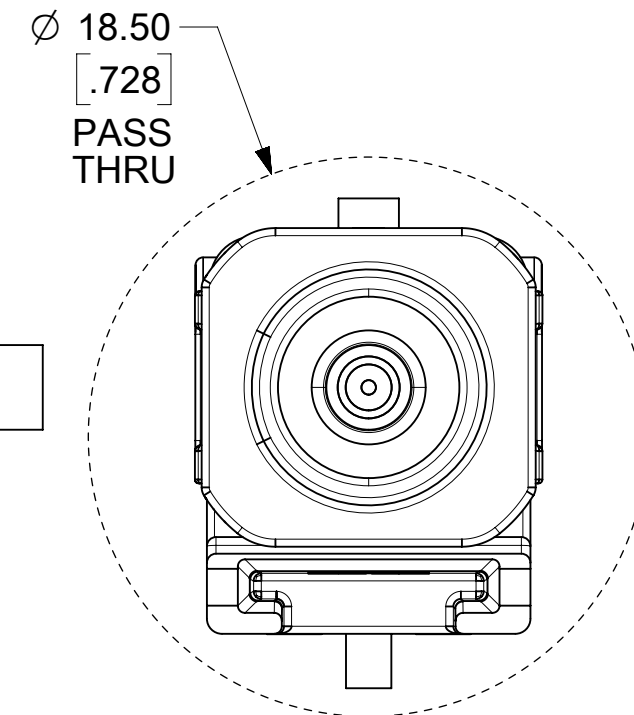
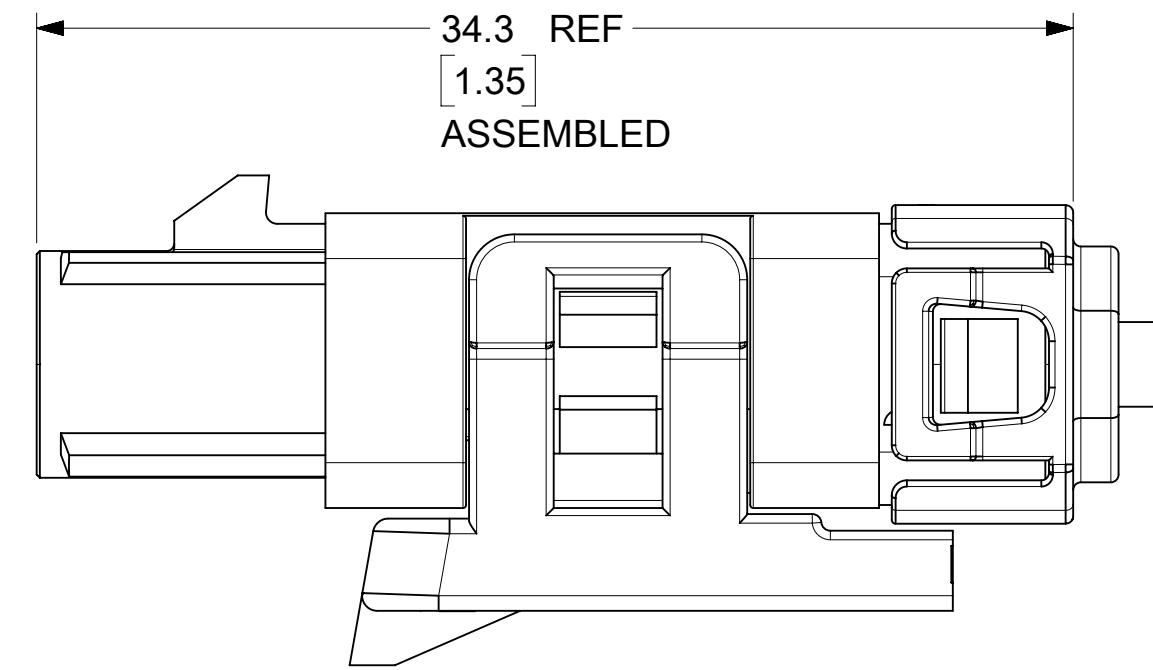
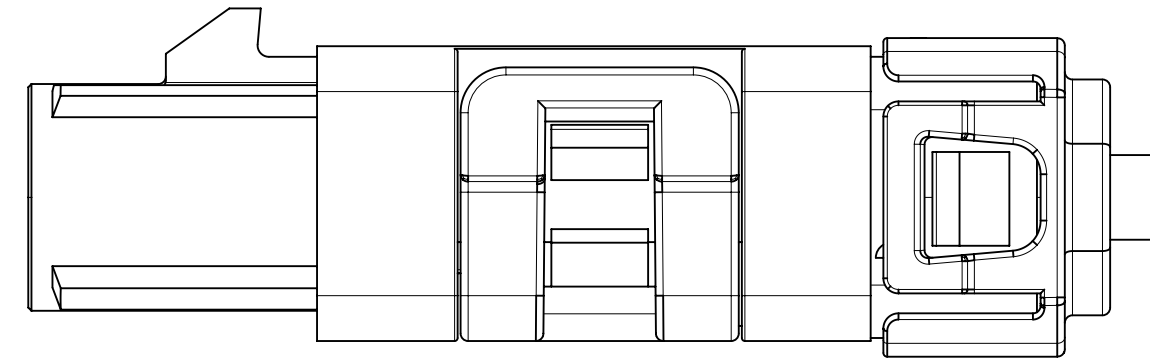
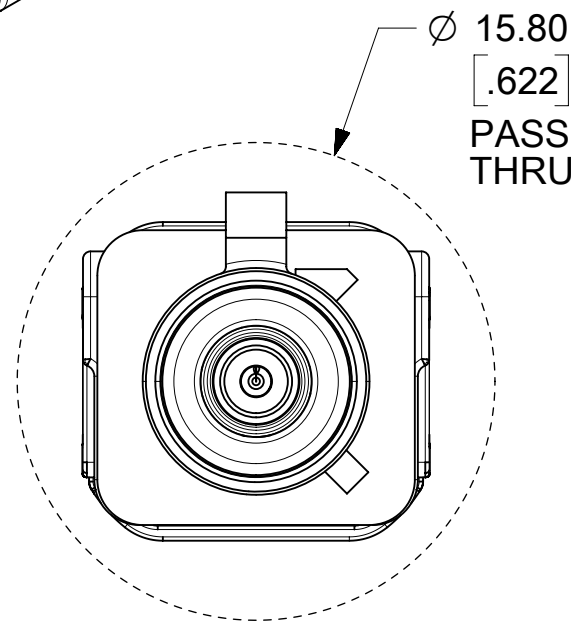
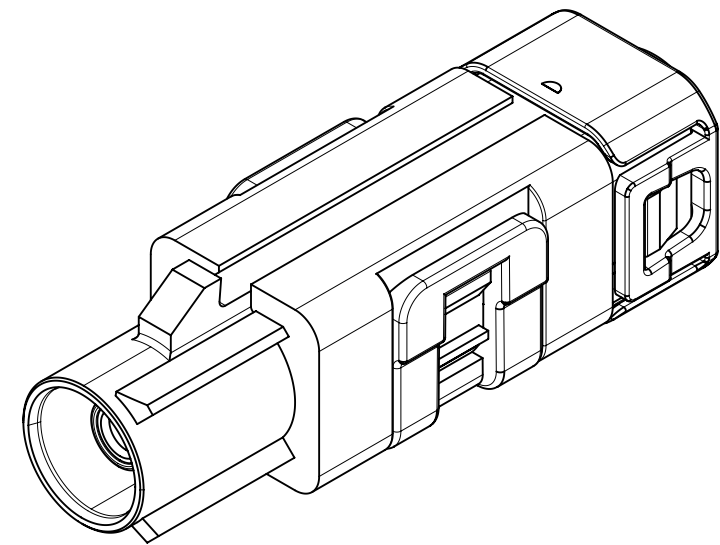
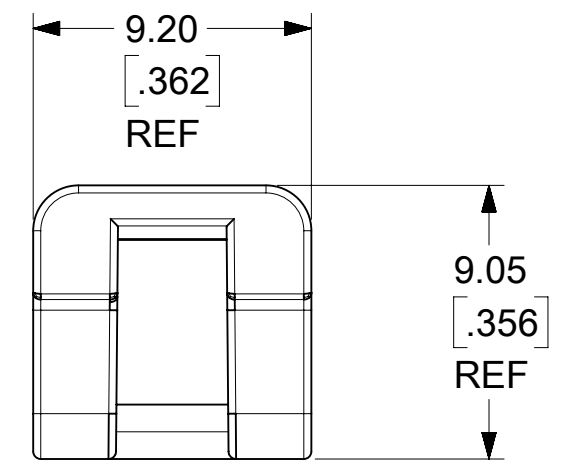
CONTACT  
 (SHOWN LOOSE  
 COMES ON T&R)



ISL 7mm  
 CLIP SLOT



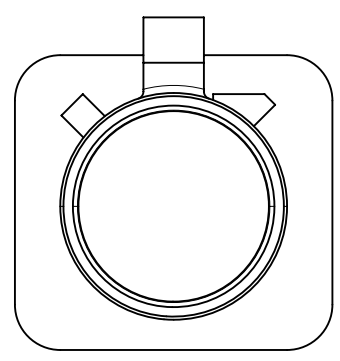
ISL NO  
 CLIP SLOT



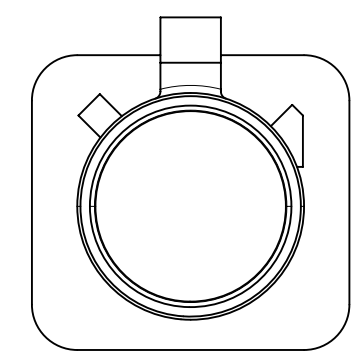
SEE SHEET 2 FOR SHROUD COLORS & KEYS  
 SEE SHEET 3-4 FOR ORDERING SCHEME

QUALITY SYMBOLS ▽ = 0 ▽ = 0 ▽ = 0 ▽ = 0 ▽ = 0 ▽ = 0 ▽ = 0 ▽ = 0 ▽ = 0 ▽ = 0 ▽ = 0	THIS DRAWING CONTAINS INFORMATION THAT IS PROPRIETARY TO MOLEX ELECTRONIC TECHNOLOGIES, LLC AND SHOULD NOT BE USED WITHOUT WRITTEN PERMISSION			
	DIMENSION UNITS METRIC		SCALE NTS	
MIGRATED EC NO: 122054 DRWN: BSHAH CHKD: AROBERTSON REV / APPR: AROBERTSON	GENERAL TOLERANCES (UNLESS SPECIFIED) MM    INCH		DRWN BY    DATE AROBERTSON    2014/11/18	
	4 PLACES ±    ±		CHK'D BY    DATE SSS    2014/11/18	
	3 PLACES ±    ± 0.005		APPR BY    DATE AROBERTSON    2015/04/24	
	2 PLACES ± 0.13    ± 0.01		DRAWING SIZE    THIRD ANGLE PROJECTION C	
1 PLACES ± 0.25    ±		ANGULAR TOL = 2.0		
0 PLACES ±    ±		DRAFT WHERE APPLICABLE MUST REMAIN WITHIN DIMENSIONS		
C1		PRODUCT CUSTOMER DRAWING SERIES: 73403    MATERIAL NUMBER: SEE TABLE    CUSTOMER: GENERAL MARKET		
AS-89675-453    ASSEMBLY INSTRUCTIONS SPECIFICATION    DESCRIPTION		DOCUMENT NUMBER: SD-73403-039    DOC TYPE: PSD    DOC PART: 001    SHEET NUMBER: 1 OF 4		

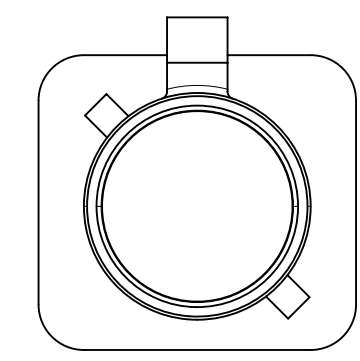
RELEASE STATUS	P1	RELEASE DATE	21.09.2017	20:44:22
----------------	----	--------------	------------	----------



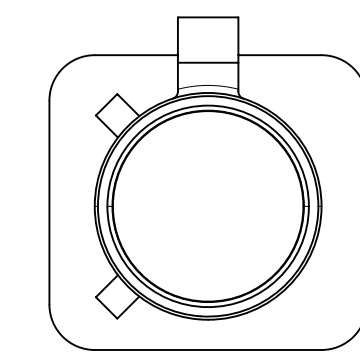
CODE A



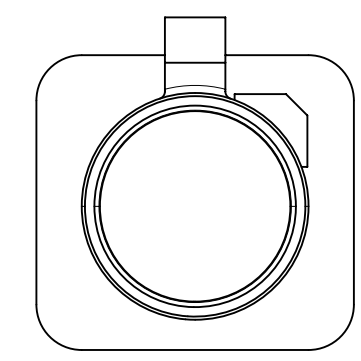
CODE B



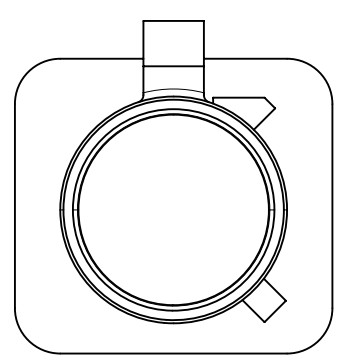
CODE C



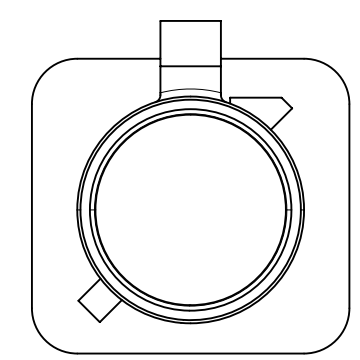
CODE D



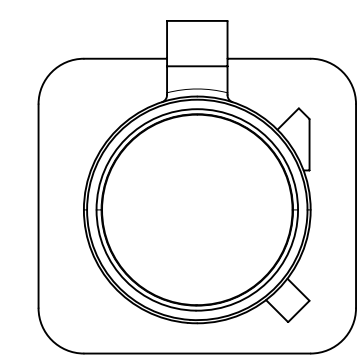
CODE E



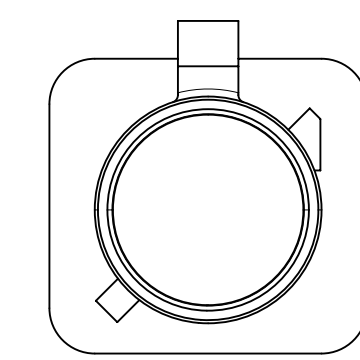
CODE F



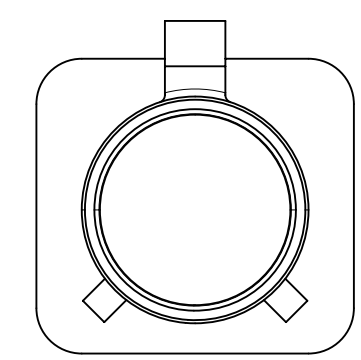
CODE G



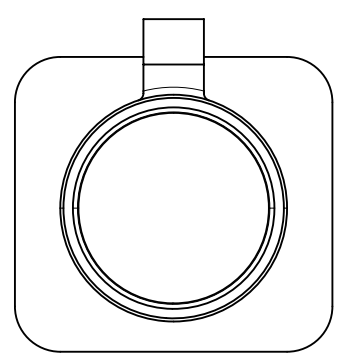
CODE H



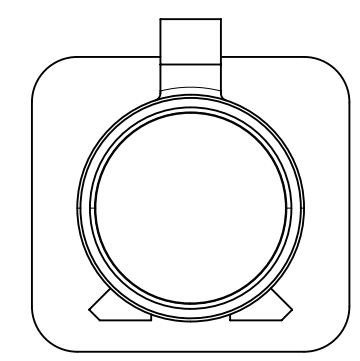
CODE I



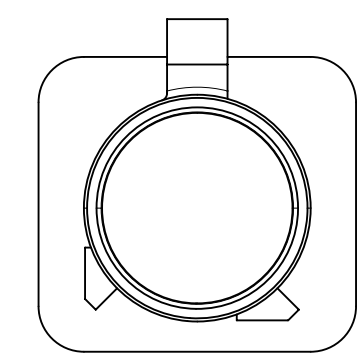
CODE K



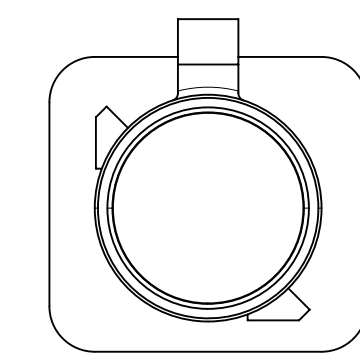
CODE Z



CODE L



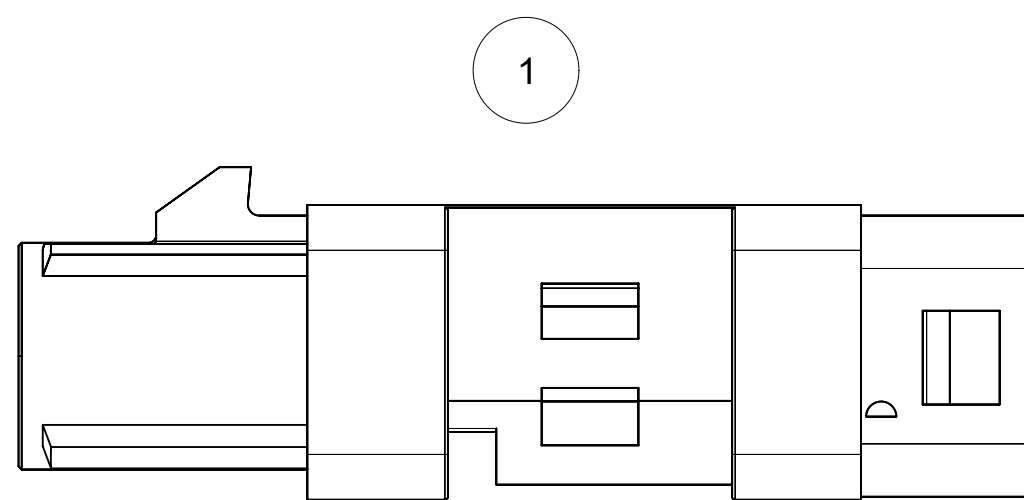
CODE M



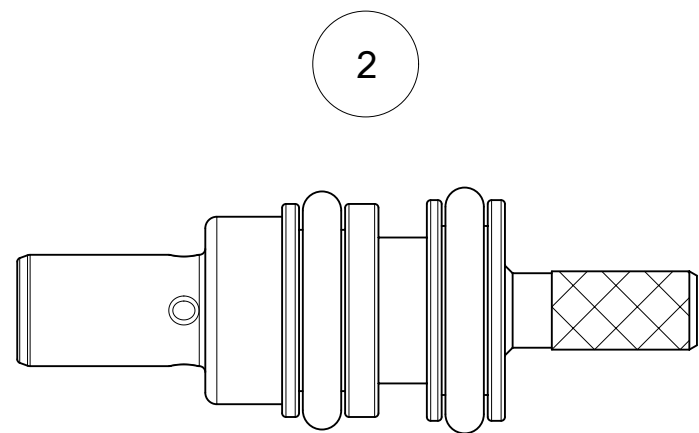
CODE N

89558-9203	N	PASTEL GREEN
89558-9202	M	PASTEL ORANGE
89558-9201	L	CARMINE RED
89558-9200	Z	WATER BLUE
89558-9199	K	CURRY YELLOW
89558-9198	I	BEIGE
89558-9197	H	VIOLET
89558-9196	G	GRAY
89558-9195	F	BROWN
89558-9194	E	GREEN
89558-9193	D	BORDEAUX VIOLET
89558-9192	C	BLUE
89558-9191	B	CREAM WHITE
89558-9190	A	BLACK
SHROUD NO.	KEY CODE	COLOR

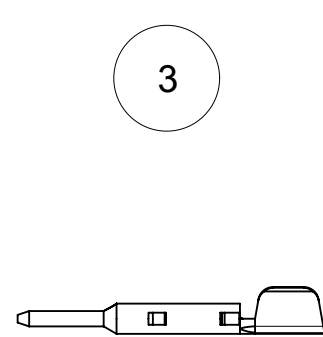
<b>QUALITY SYMBOLS</b> 	THIS DRAWING CONTAINS INFORMATION THAT IS PROPRIETARY TO MOLEX ELECTRONIC TECHNOLOGIES, LLC AND SHOULD NOT BE USED WITHOUT WRITTEN PERMISSION				
	MIGRATED EC NO: 122054 DRWN: BSHAH CHKD: REV / APPR: AROBERTSON	GENERAL TOLERANCES (UNLESS SPECIFIED) MM    INCH 4 PLACES ±    ± 3 PLACES ±    ± 0.005 2 PLACES ± 0.13 ± 0.01 1 PLACES ± 0.25 ± 0 PLACES ±    ±		DIMENSION UNITS <b>METRIC</b>	SCALE <b>NTS</b>
				DRWN BY <b>AROBERTSON</b>	DATE <b>2014/11/18</b>
				CHK'D BY <b>SSS</b>	DATE <b>2014/11/18</b>
				APPR BY <b>AROBERTSON</b>	DATE <b>2015/04/24</b>
				DRAWING SIZE <b>C</b>	THIRD ANGLE PROJECTION 
	ANGULAR TOL = 2.0 DRAFT WHERE APPLICABLE MUST REMAIN WITHIN DIMENSIONS				
	<b>C1</b>				
	<b>73403</b>		<b>SEE TABLE</b>		
	DOCUMENT NUMBER <b>SD-73403-039</b>		DOC TYPE <b>PSD</b>	DOC PART <b>001</b>	
		SHEET NUMBER <b>2 OF 4</b>			



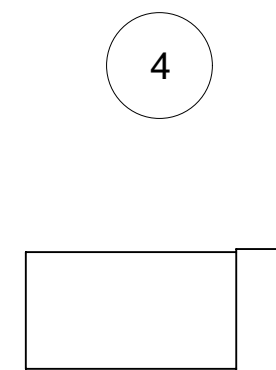
SHROUD



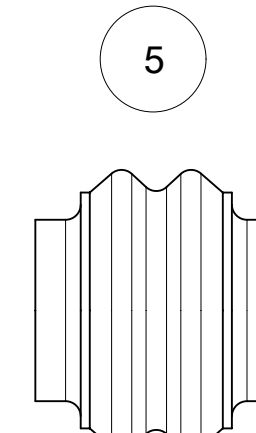
SMB SUB-ASSEMBLY



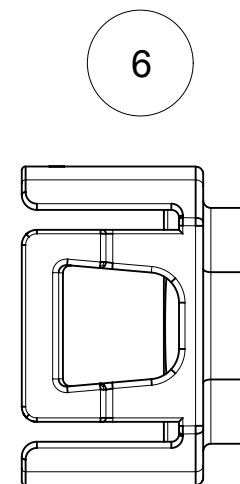
CONTACT  
(SHOWN LOOSE  
COMES ON T&R)



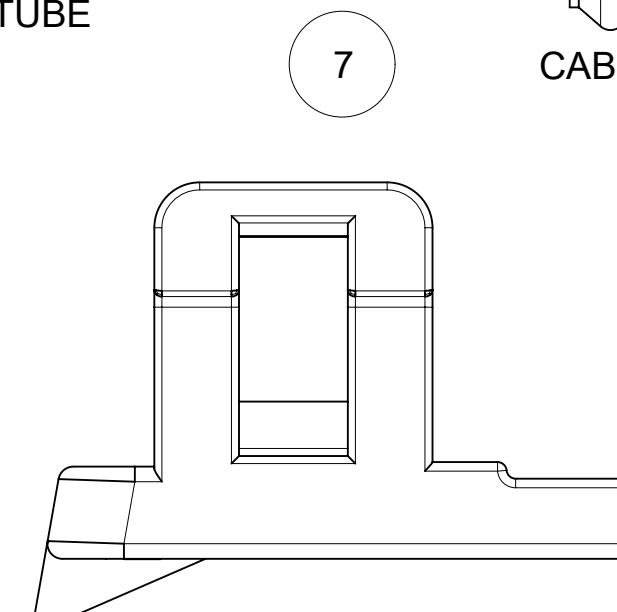
CRIMP TUBE



CABLE SEAL



END CAP



ISL 7mm CLIP SLOT

NOTES:

- ITEM 2 TO BE TRAY PACKED.
- ALL ITEMS MAY BE BAGGED INDIVIDUALLY TOGETHER WHEN SOLD AS 73403-0XXX ASSEMBLY NUMBER.
- ITEMS 1/3/4/5/6/7 MAY BE INDIVIDUALLY BULK PACKED. BULK PACKAGE QUANTITIES MUST NOT INDUCE ANY DAMAGE TO PARTS.

73403-0403	N	PASTEL GREEN	89558-9203	73404-3570	89601-8961	89558-8172	89558-8000	89558-9210	89558-8140
73403-0402	M	PASTEL ORANGE	89558-9202	73404-3570	89601-8961	89558-8172	89558-8000	89558-9210	89558-8140
73403-0401	L	CARMINE RED	89558-9201	73404-3570	89601-8961	89558-8172	89558-8000	89558-9210	89558-8140
73403-0400	Z	WATER BLUE	89558-9200	73404-3570	89601-8961	89558-8172	89558-8000	89558-9210	89558-8140
73403-0399	K	CURRY YELLOW	89558-9199	73404-3570	89601-8961	89558-8172	89558-8000	89558-9210	89558-8140
73403-0398	I	BEIGE	89558-9198	73404-3570	89601-8961	89558-8172	89558-8000	89558-9210	89558-8140
73403-0397	H	VIOLET	89558-9197	73404-3570	89601-8961	89558-8172	89558-8000	89558-9210	89558-8140
73403-0396	G	GRAY	89558-9196	73404-3570	89601-8961	89558-8172	89558-8000	89558-9210	89558-8140
73403-0395	F	BROWN	89558-9195	73404-3570	89601-8961	89558-8172	89558-8000	89558-9210	89558-8140
73403-0394	E	GREEN	89558-9194	73404-3570	89601-8961	89558-8172	89558-8000	89558-9210	89558-8140
73403-0393	D	BORDEAUX VIOLET	89558-9193	73404-3570	89601-8961	89558-8172	89558-8000	89558-9210	89558-8140
73403-0392	C	BLUE	89558-9192	73404-3570	89601-8961	89558-8172	89558-8000	89558-9210	89558-8140
73403-0391	B	CREAM WHITE	89558-9191	73404-3570	89601-8961	89558-8172	89558-8000	89558-9210	89558-8140
73403-0390	A	BLACK	89558-9190	73404-3570	89601-8961	89558-8172	89558-8000	89558-9210	89558-8140
PART NO.	KEY CODE	COLOR	ITEM NO. 1	ITEM NO. 2	ITEM NO. 3	ITEM NO. 4	ITEM NO. 5	ITEM NO. 6	ITEM NO. 7
			SHROUD	SMB SUB-ASSY	CONTACT (T&R)	CRIMP TUBE	CABLE SEAL	END CAP	ISL 7mm CS

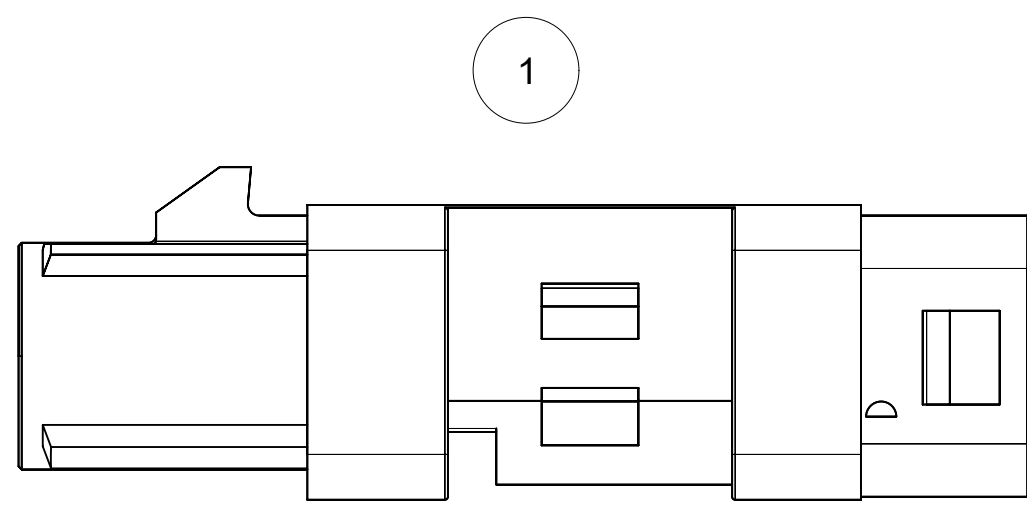
QUALITY SYMBOLS		THIS DRAWING CONTAINS INFORMATION THAT IS PROPRIETARY TO MOLEX ELECTRONIC TECHNOLOGIES, LLC AND SHOULD NOT BE USED WITHOUT WRITTEN PERMISSION			
MIGRATED EC NO: 122054 DRWN: BSHAH CHKD: REV APPR: AROBERTSON	= 0 = 0 = 0 = 0 = 0 = 0 = 0 = 0 = 0	GENERAL TOLERANCES (UNLESS SPECIFIED)		DIMENSION UNITS	SCALE
			METRIC	NTS	
			DRWN BY	DATE	
			AROBERTSON	2014/11/18	
			CHK'D BY	DATE	
			SSS	2014/11/18	
			APPR BY	DATE	
			AROBERTSON	2015/04/24	
			DRAWING SIZE	THIRD ANGLE PROJECTION	
			C		



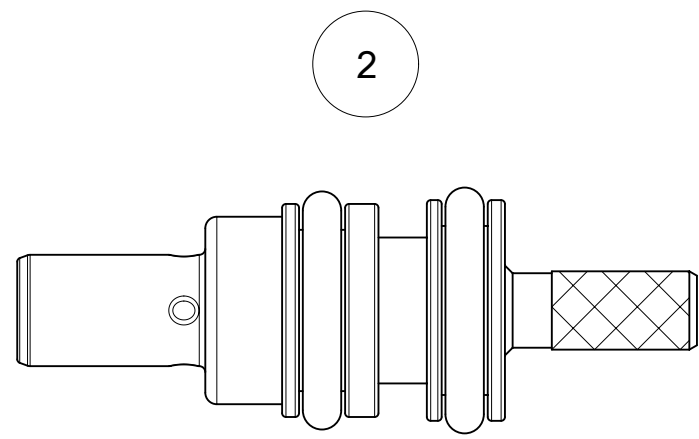
FAKRA JACK SEALED  
RG174 7 MM CLIP SLOT FAKRA-JC, EWR-10016

PRODUCT CUSTOMER DRAWING

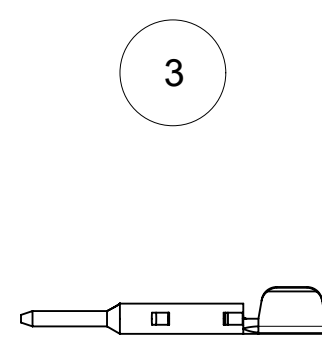
SERIES	MATERIAL NUMBER	CUSTOMER
73403	SEE TABLE	GENERAL MARKET
DOCUMENT NUMBER	DOC TYPE	DOC PART
SD-73403-039	PSD	001
SHEET NUMBER		
3 OF 4		



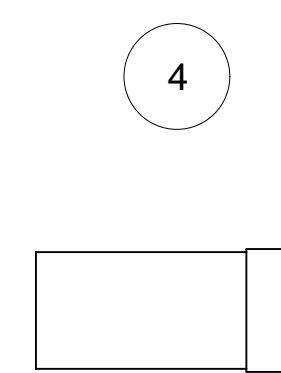
SHROUD



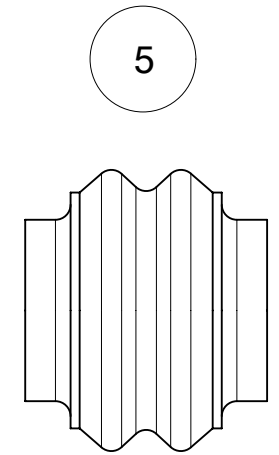
SMB SUB-ASSEMBLY



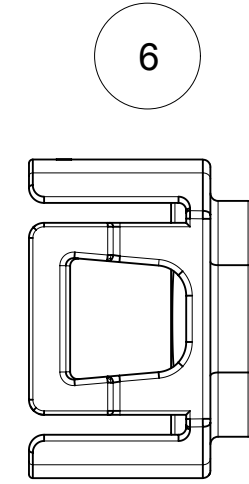
CONTACT  
(SHOWN LOOSE  
COMES ON T&R)



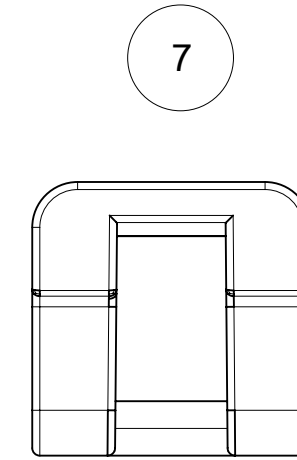
CRIMP TUBE



CABLE SEAL



END CAP



ISL NO CLIP SLOT

NOTES:

- 1. ITEM 2 TO BE TRAY PACKED.
- 2. ALL ITEMS MAY BE BAGGED INDIVIDUALLY TOGETHER WHEN SOLD AS 73403-0XXX ASSEMBLY NUMBER.
- 3. ITEMS 1/3/4/5/6/7 MAY BE INDIVIDUALLY BULK PACKED. BULK PACKAGE QUANTITIES MUST NOT INDUCE ANY DAMAGE TO PARTS.

73403-0443	N	PASTEL GREEN	89558-9203	73404-3570	89601-8961	89558-8172	89558-8000	89558-9210	89558-8150
73403-0442	M	PASTEL ORANGE	89558-9202	73404-3570	89601-8961	89558-8172	89558-8000	89558-9210	89558-8150
73403-0441	L	CARMINE RED	89558-9201	73404-3570	89601-8961	89558-8172	89558-8000	89558-9210	89558-8150
73403-0440	Z	WATER BLUE	89558-9200	73404-3570	89601-8961	89558-8172	89558-8000	89558-9210	89558-8150
73403-0439	K	CURRY YELLOW	89558-9199	73404-3570	89601-8961	89558-8172	89558-8000	89558-9210	89558-8150
73403-0438	I	BEIGE	89558-9198	73404-3570	89601-8961	89558-8172	89558-8000	89558-9210	89558-8150
73403-0437	H	VIOLET	89558-9197	73404-3570	89601-8961	89558-8172	89558-8000	89558-9210	89558-8150
73403-0436	G	GRAY	89558-9196	73404-3570	89601-8961	89558-8172	89558-8000	89558-9210	89558-8150
73403-0435	F	BROWN	89558-9195	73404-3570	89601-8961	89558-8172	89558-8000	89558-9210	89558-8150
73403-0434	E	GREEN	89558-9194	73404-3570	89601-8961	89558-8172	89558-8000	89558-9210	89558-8150
73403-0433	D	BORDEAUX VIOLET	89558-9193	73404-3570	89601-8961	89558-8172	89558-8000	89558-9210	89558-8150
73403-0432	C	BLUE	89558-9192	73404-3570	89601-8961	89558-8172	89558-8000	89558-9210	89558-8150
73403-0431	B	CREAM WHITE	89558-9191	73404-3570	89601-8961	89558-8172	89558-8000	89558-9210	89558-8150
73403-0430	A	BLACK	89558-9190	73404-3570	89601-8961	89558-8172	89558-8000	89558-9210	89558-8150
PART NO.	KEY CODE	COLOR	ITEM NO. 1	ITEM NO. 2	ITEM NO. 3	ITEM NO. 4	ITEM NO. 5	ITEM NO. 6	ITEM NO. 7
			SHROUD	SMB SUB-ASSY	CONTACT (T&R)	CRIMP TUBE	CABLE SEAL	END CAP	ISL NO CS

<p>QUALITY SYMBOLS</p> <p>▽ = 0</p> <p>▽ = 0</p> <p>▽ = 0</p> <p>▽ = 0</p> <p>▽ = 0</p> <p>▽ = 0</p> <p>▽ = 0</p> <p>▽ = 0</p> <p>▽ = 0</p> <p>▽ = 0</p> <p>▽ = 0</p>	<p>THIS DRAWING CONTAINS INFORMATION THAT IS PROPRIETARY TO MOLEX ELECTRONIC TECHNOLOGIES, LLC AND SHOULD NOT BE USED WITHOUT WRITTEN PERMISSION</p>		<p>DIMENSION UNITS SCALE</p> <p>METRIC NTS</p>		<p><b>molex</b></p> <p>FAKRA JACK SEALED RG174 7 MM CLIP SLOT FAKRA-JC, EWR-10016</p> <p>PRODUCT CUSTOMER DRAWING</p>		
	<p>GENERAL TOLERANCES (UNLESS SPECIFIED)</p> <p>MM INCH</p> <p>4 PLACES ± ±</p> <p>3 PLACES ± ± 0.005</p> <p>2 PLACES ± 0.13 ± 0.01</p> <p>1 PLACES ± 0.25 ±</p> <p>0 PLACES ± ±</p>		<p>DRWN BY DATE</p> <p>AROBERTSON 2014/11/18</p> <p>CHK'D BY DATE</p> <p>SSS 2014/11/18</p> <p>APPR BY DATE</p> <p>AROBERTSON 2015/04/24</p>			<p>SERIES MATERIAL NUMBER CUSTOMER</p> <p>73403 SEE TABLE GENERAL MARKET</p>	
	<p>ANGULAR TOL = 2.0</p> <p>DRAFT WHERE APPLICABLE MUST REMAIN WITHIN DIMENSIONS</p>		<p>DRAWING SIZE THIRD ANGLE PROJECTION</p> <p>C</p>				<p>DOCUMENT NUMBER DOC TYPE DOC PART SHEET NUMBER</p> <p>SD-73403-039 PSD 001 4 OF 4</p>
	<p>EC NO: 122054 DRWN: BSHAH CHKD: AROBERTSON REV APPR: AROBERTSON</p>		<p>2017/09/07 2017/09/21</p>				