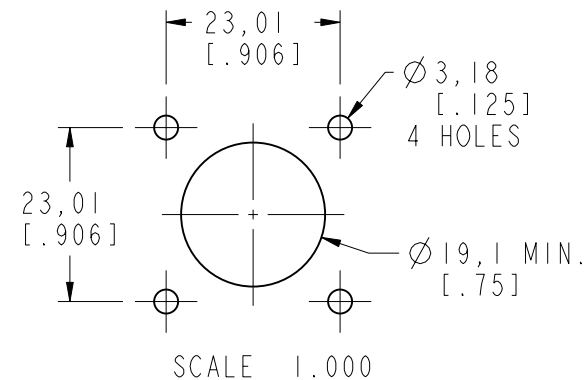


NOTES:

1. MATERIALS AND FINISHES:  
 BODY - BRASS, NICKEL PLATING  
 CONTACT - BERYLLIUM COPPER, SILVER PLATING  
 INSULATOR - COPOLYMER OF STYRENE
2. ELECTRICAL:  
 A. IMPEDANCE: 50 OHM
3. MECHANICAL:  
 A. DURABILITY: 500 CYCLES MIN.
4. PACKAGING:  
 A. QUANTITY: SINGLE PACK  
 B. MARKING: BAG TO BE MARKED  
 "AMPHENOL RF, 82-92, AND DATE CODE"

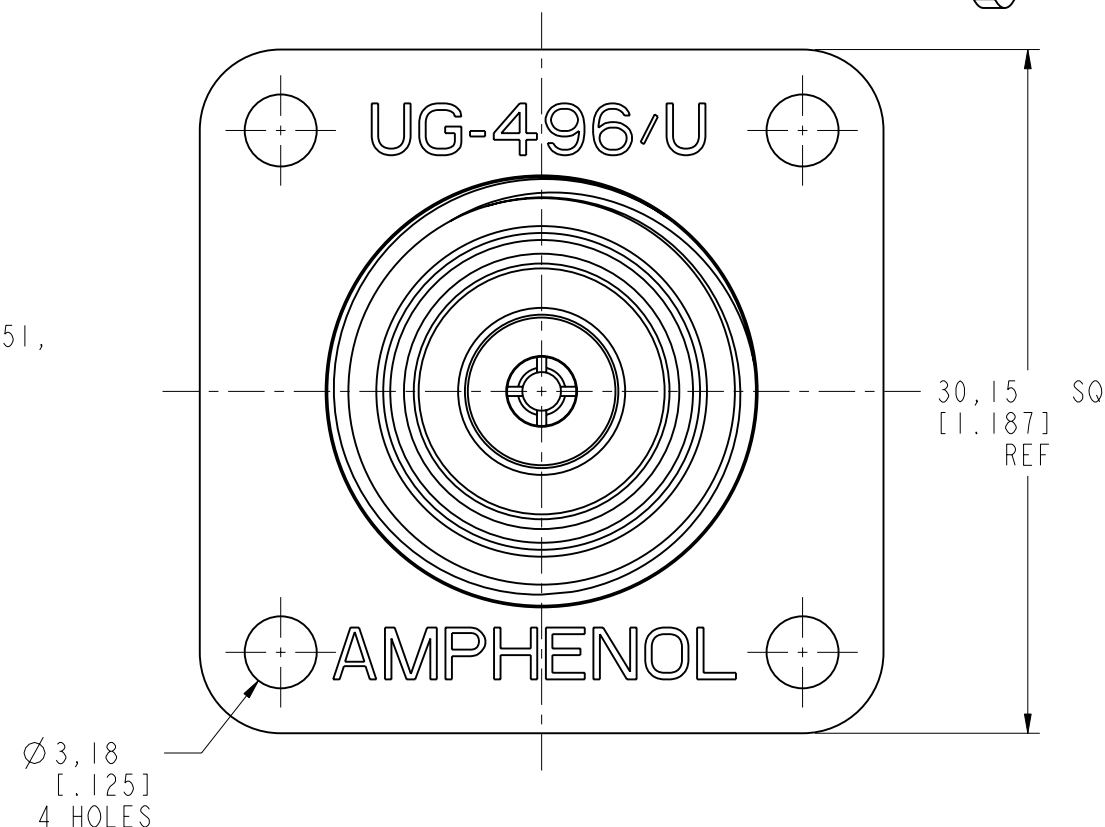
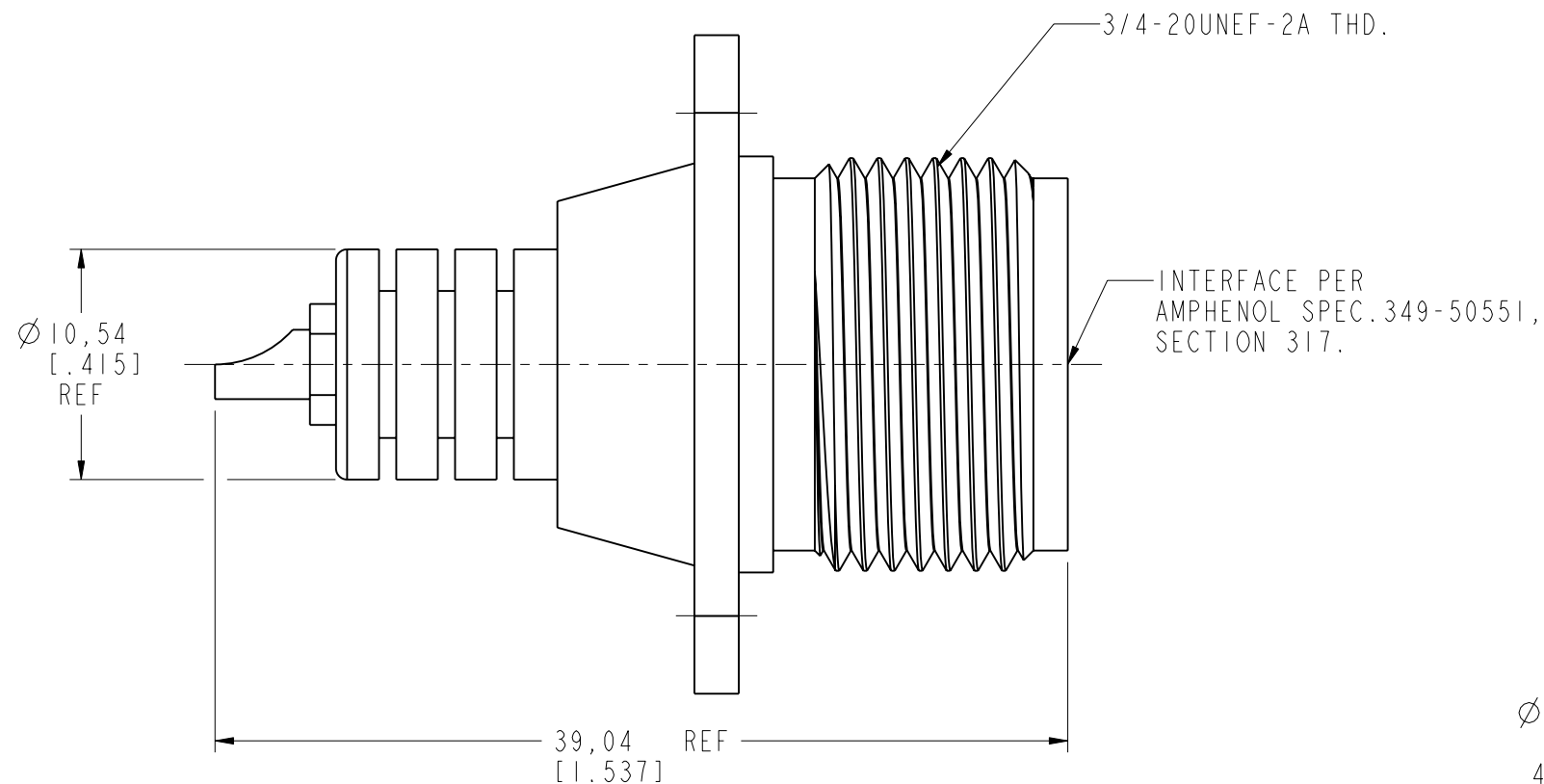
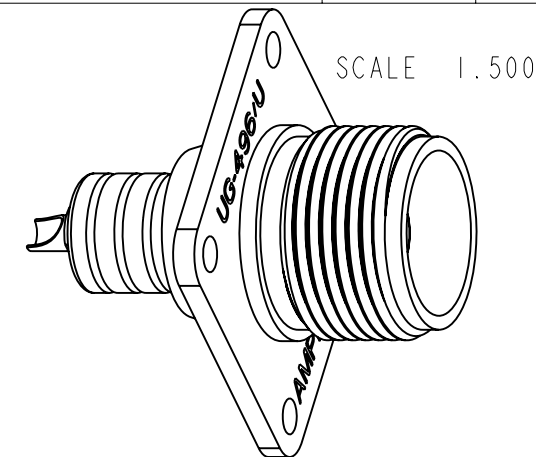


**RECOMMENDED MOUNTING HOLE DIMENSIONS**

THIRD ANGLE PROJ.

REVISIONS

REV	DESCRIPTION	DATE	ECO	APPR
--	RELEASE TO MFG.	----	----	----
M	SHEET 2 ADDED; STAMP "AMPHENOL " WAS "74868 " \RD-DMI2040501R3	19-Apr-12	48877	DH
N	CONTACT WAS CHANGED \RD-DMI4070801R3	17-Jul-14	50093	RM



**CUSTOMER OUTLINE DRAWING**

ALL OTHER SHEETS ARE FOR INTERNAL USE ONLY

UNLESS OTHERWISE SPECIFIED, DIMENSIONS ARE IN METRIC AND TOLERANCES ARE: <0.5mm ±0.05mm    0.5 - 6mm ±0.1mm    6 - 30mm ±0.2mm    30 - 120mm ±0.3mm    ANGLES ±1°	MATERIAL	DRAWN R. MAO	DATE 17-Jul-14	TITLE TYPE HN PANEL RECEPTACLE UG-496/U	Amphenol RF www.amphenolrf.com	
	REFERENCE	ENGINEER D. ROYCE	DATE 04-Jun-98			
	NOTICE - These drawings, specifications, or other data (1) are, and remain the property of Amphenol corp. (2) must be returned upon request; and (3) are confidential and not to be disclosed to any person other than those to whom they are given by Amphenol Corp. the furnishing of these drawings, specifications, or other data by Amphenol Corp., or to any other person to anyone for any purpose is not to be regarded by implication or otherwise in any manner licensing, granting rights to permitting such holder or any other person to manufacture, use or sell any product, process or design, patented or otherwise, that may in any way be related to or disclosed by said drawings, specifications, or other data.	FINISH	APPROVED S. HSIEH	DATE 17-Jul-14	SCALE: 3.0:1.0    SHEET 2 OF 2	DRAWING NO. 82-92 ITEM NO. 82-92 PART NO. 82-92
			CAD FILE		DWG SIZE B    REV N	