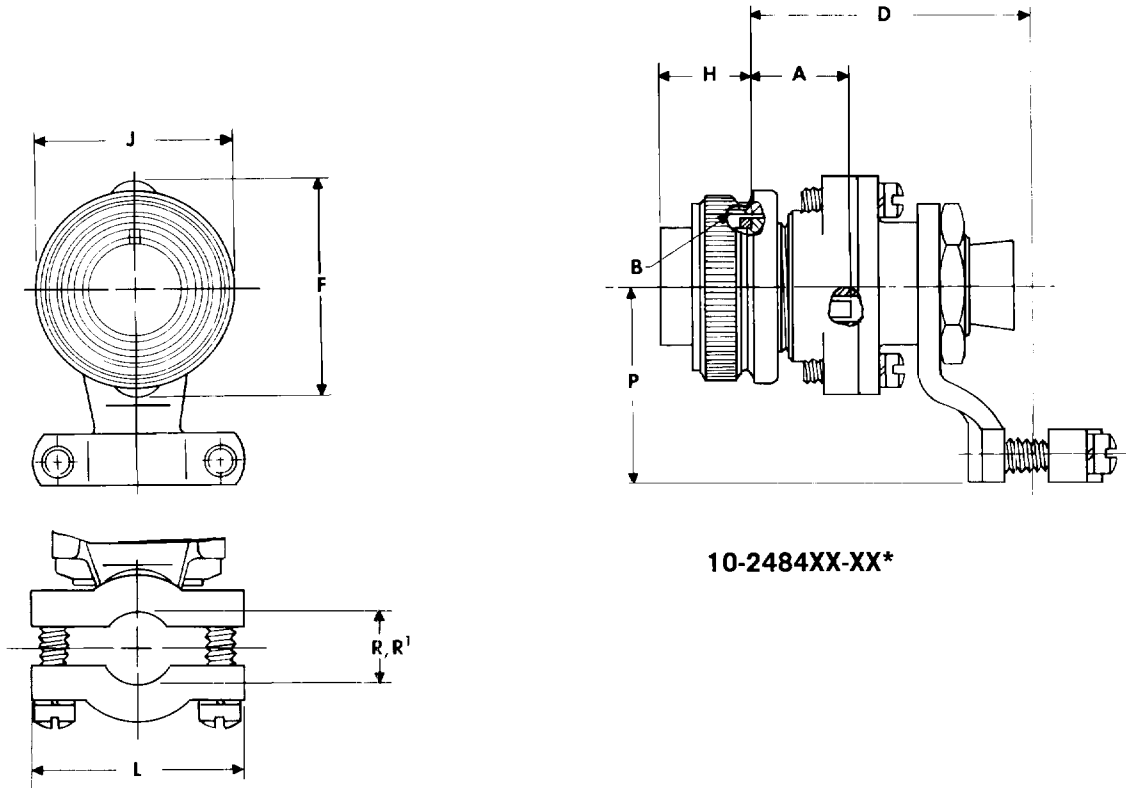


10-2484

90° plug (open)



*To complete order number, see page 10.
For insert and grommet availability, see page 12.

Order Number*	Shell Size	A ±.045	B Thread Class 2B	D Max.	F Dia. Max.	H ±.005	J Dia. Max.	L Max.	P Max.	R Max. Cable	R ₁ Min. Cable
10-248481	10S	.609	.6250-24UNEF	1.463	1.026	.531	.869	.755	1.016	.172	.082
10-248482	10SL	.609	.6250-24UNEF	1.463	1.120	.531	.946	.817	1.078	.281	.114
10-248483	12S	.609	.7500-20UNEF	1.518	1.120	.531	.995	.817	1.078	.281	.114
10-248484	12	.812	.7500-20UNEF	1.674	1.120	.719	.995	.817	1.078	.281	.114
10-248485	14S	.609	.8750-20UNEF	1.674	1.307	.531	1.123	.943	1.203	.406	.176
10-248486	14	.812	.8750-20UNEF	1.830	1.307	.719	1.123	.943	1.203	.406	.176
10-248487	16S	.609	1.0000-20UNEF	1.731	1.432	.531	1.250	1.067	1.265	.500	.238
10-248488	16	.812	1.0000-20UNEF	1.883	1.432	.719	1.250	1.067	1.265	.500	.238
10-248489	18	.812	1.1250-18UNEF	1.933	1.557	.719	1.333	1.149	1.328	.531	.208
10-248490	20	.812	1.2500-18UNEF	2.025	1.744	.719	1.461	1.399	1.359	.656	.302
10-248491	22	.812	1.3750-18UNEF	2.072	1.859	.719	1.588	1.399	1.421	.750	.302

All dimensions for reference only