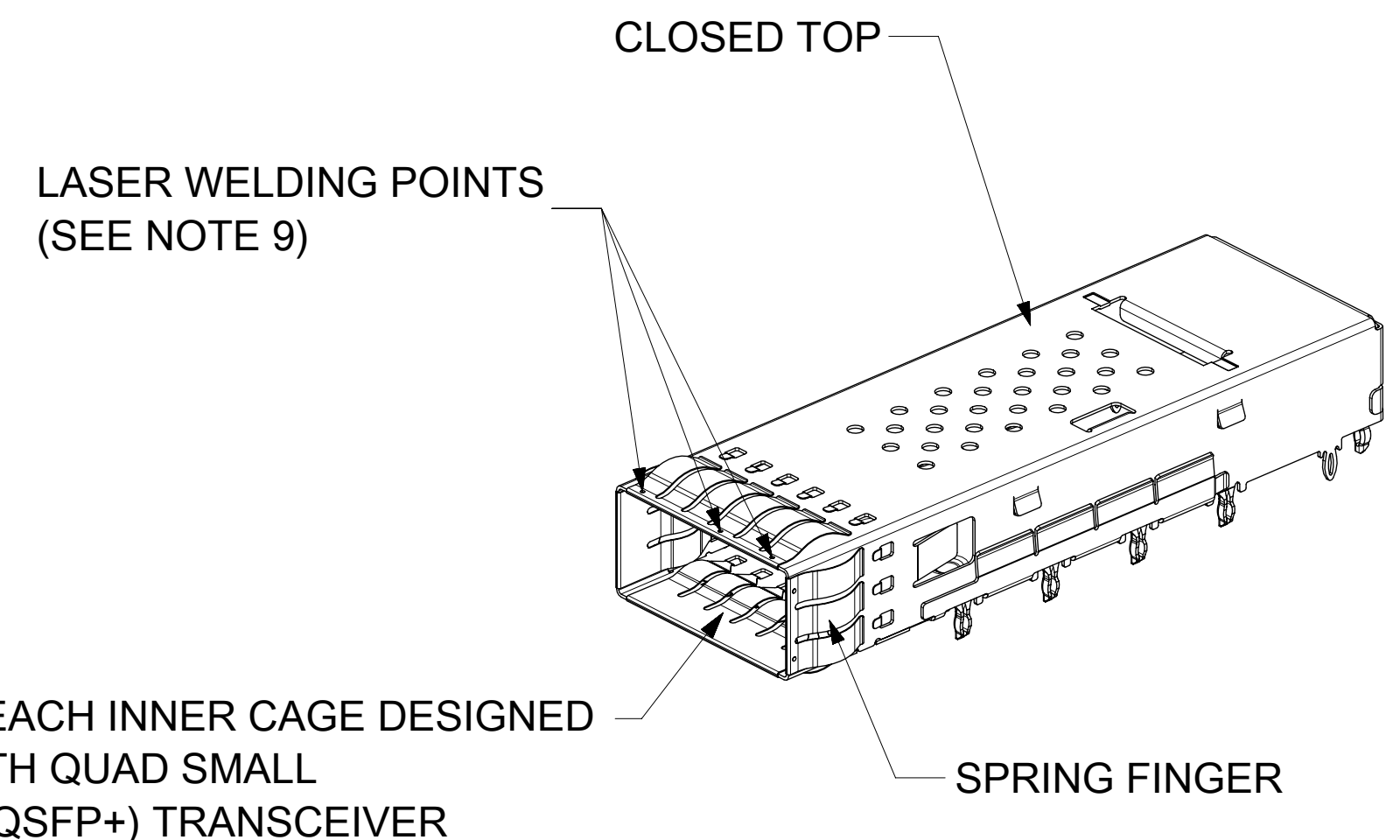
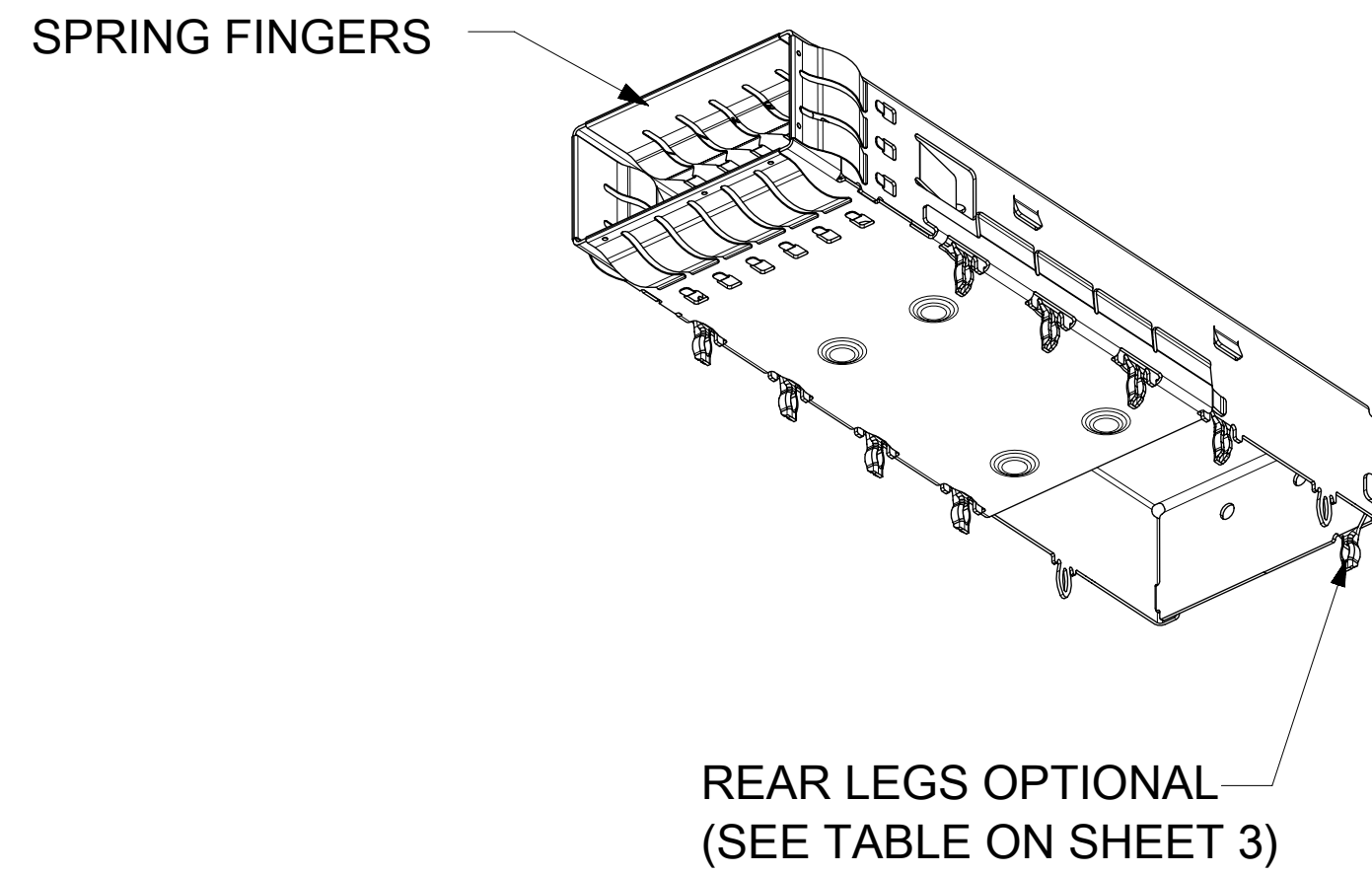
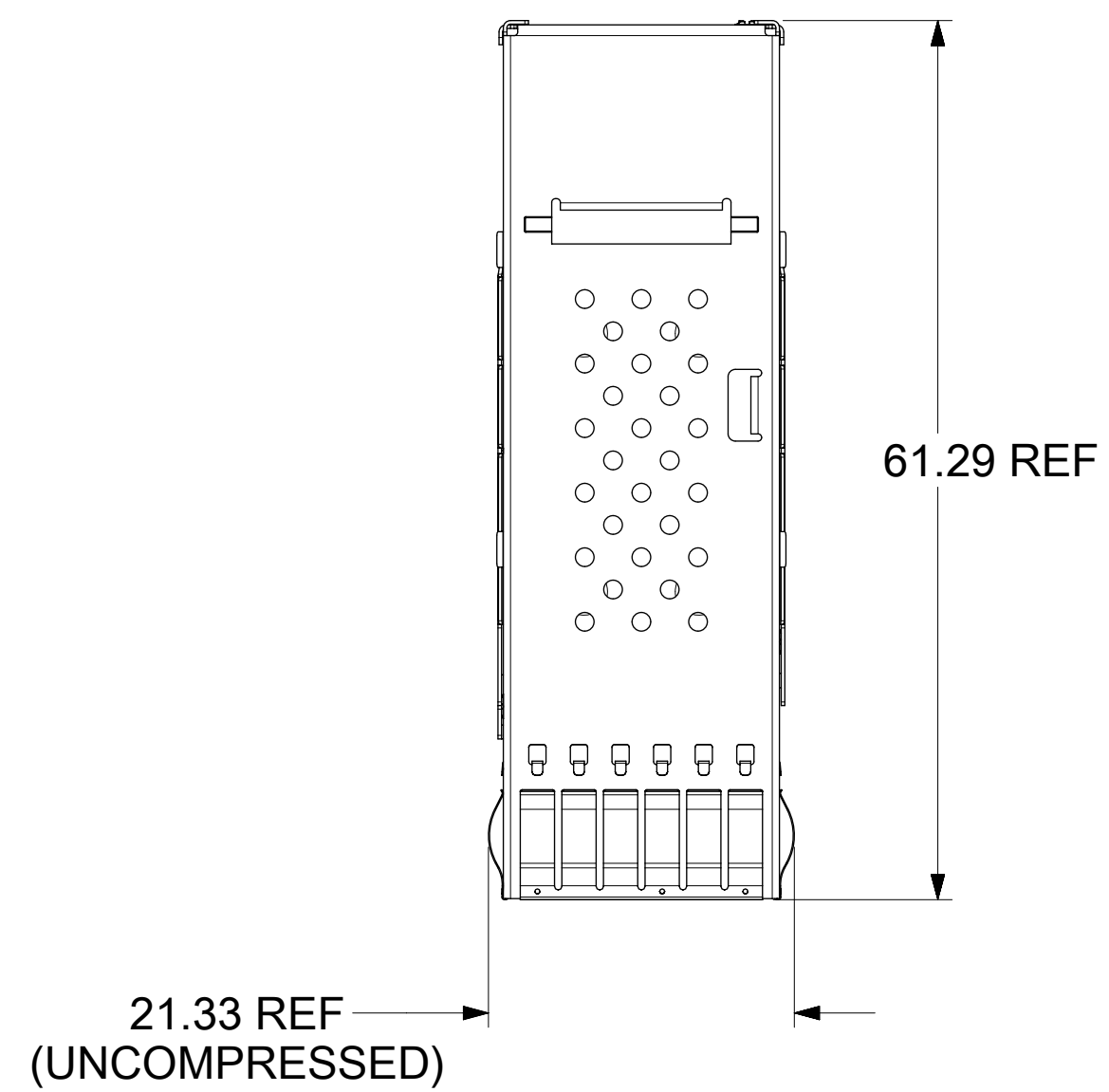


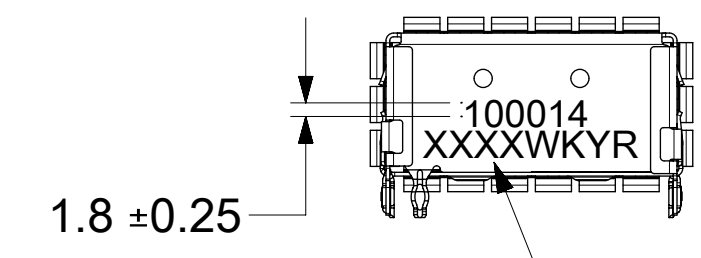
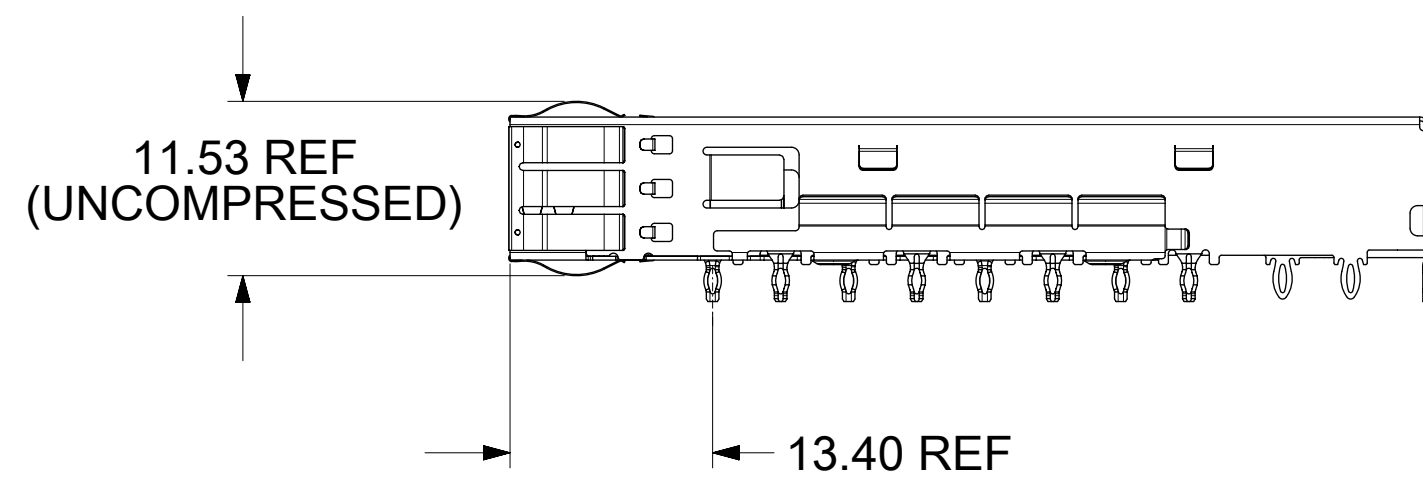
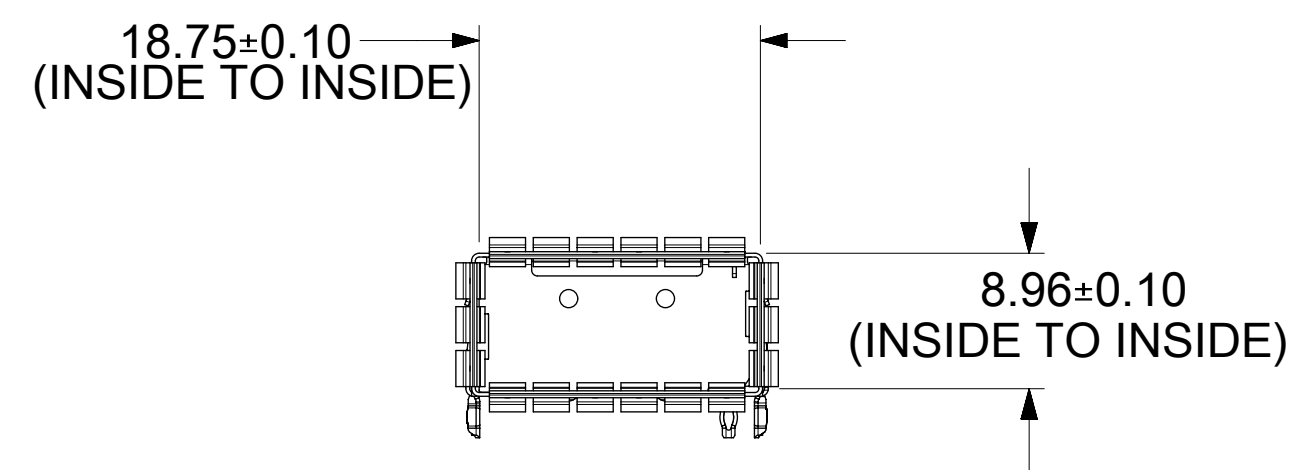
BASE CAGE DETAILS

1000143242

SHOWN



DIMENSIONS OF EACH INNER CAGE DESIGNED TO FUNCTION WITH QUAD SMALL FORM-FACTOR (zQSFP+) TRANSCEIVER



P/N AND WEEK/YEAR DATE CODE TO BE PRINTED ON BACK OF COMPLETED CAGE ASSEMBLY APPROXIMATELY AS SHOWN. SEE TABLE BELOW FOR DATE CODE INFORMATION.

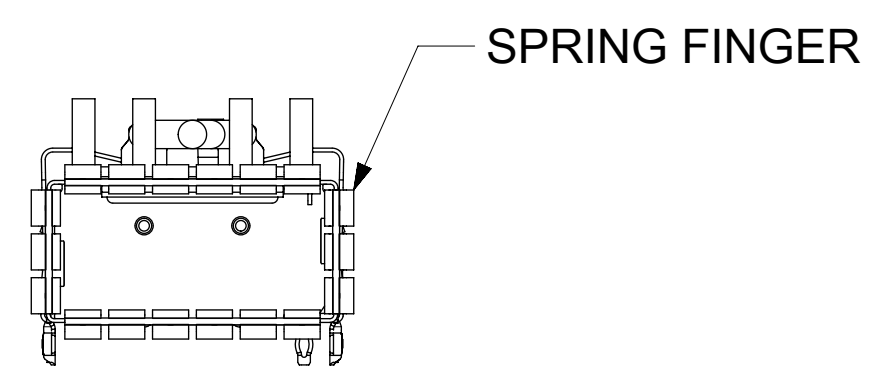
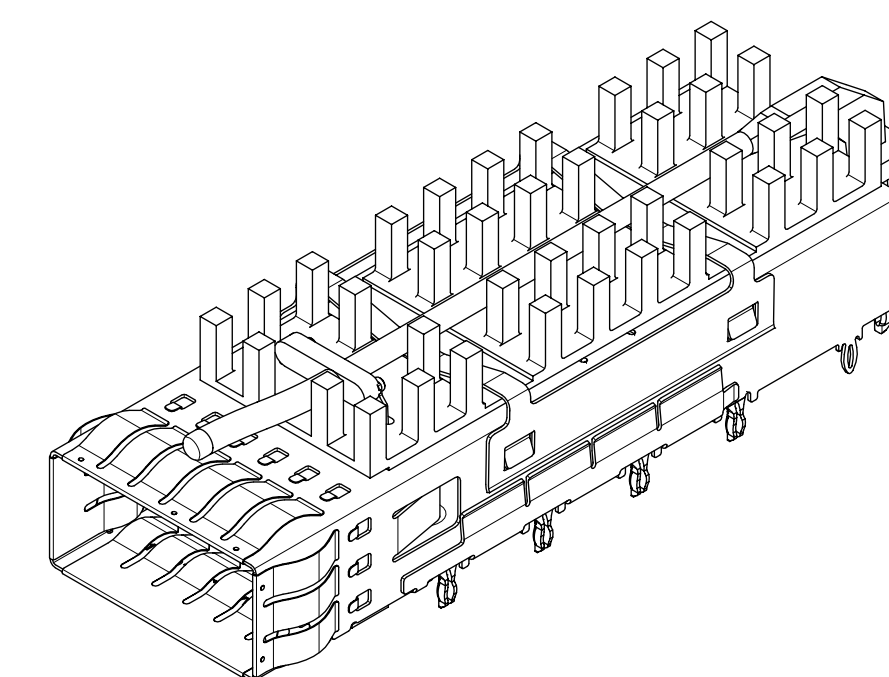
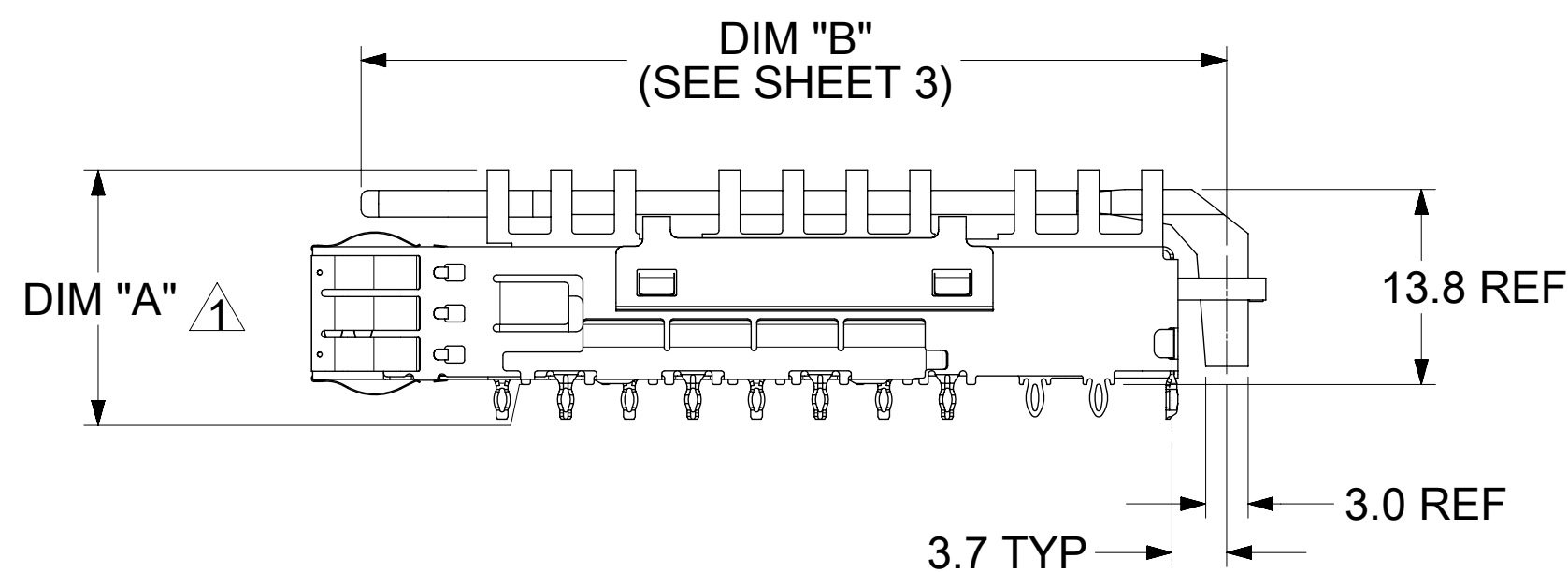
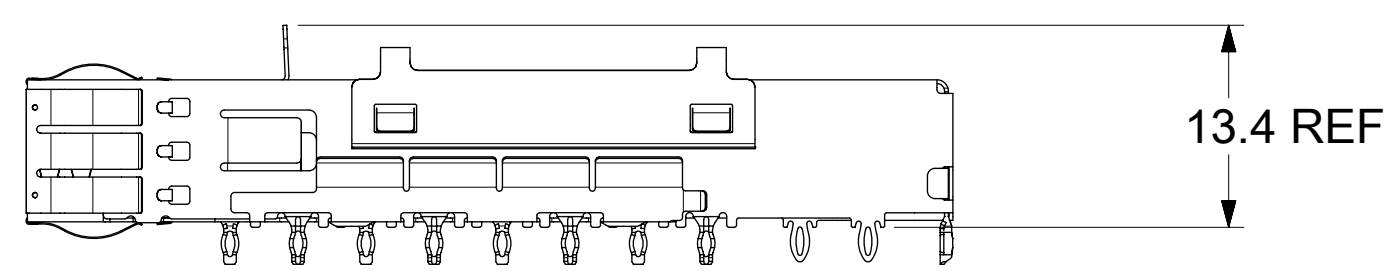
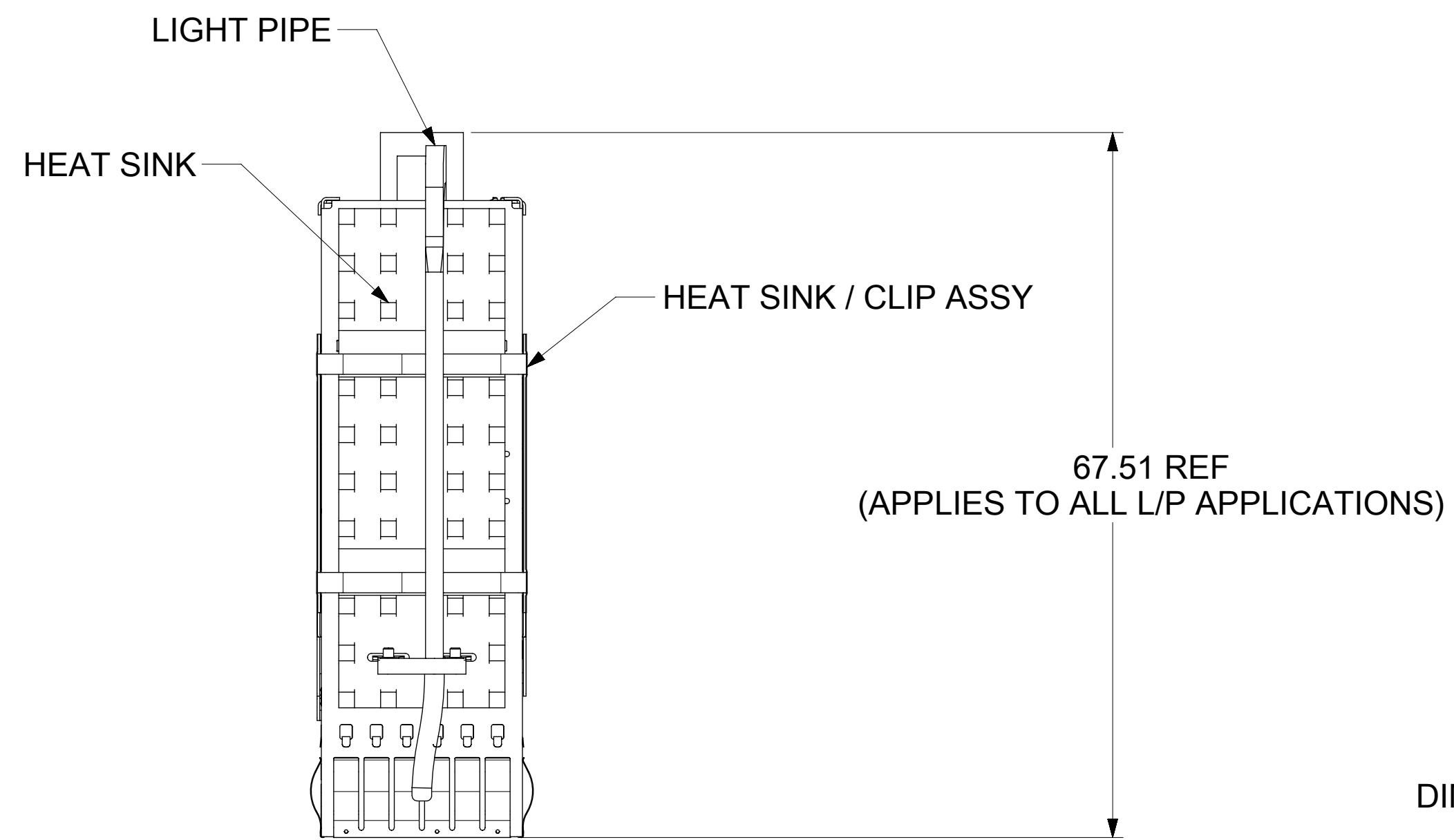
- NOTES:
- MATERIAL: CAGE: STAINLESS STEEL
SPRING FINGERS: STAINLESS STEEL
HEAT SINKS: NICKEL PLATED ALUMINUM
HEAT SINK CLIP: STAINLESS STEEL
LIGHT PIPES: POLYCARBONATE (UL 94-V-0)
 - DIMENSIONS MARKED ARE CRITICAL TO FUNCTION OF THE PART AND MUST BE INSPECTED
 - DRAWING APPLIES TO ALL P/N'S SHOWN ON PAGE 3
 - DURING FINAL INSPECTION, CAGE LEG LOCATIONS AND STRAIGHTNESS MUST BE CHECKED USING APPROPRIATE GO - NO GO GAGE
 - DURING FINAL INSPECTION, CAGE MUST BE INSPECTED TO MAKE SURE LEG CONFIGURATIONS AND PART NUMBERS ARE CORRECT, USE SHEETS 3, 4 AND 5
 - PARTS TO BE INSPECTED PER MOLEX COSMETIC SPEC WI-HP-7-2774 (CLASS B UNLESS OTHERWISE SPECIFIED)
 - PRESS-FIT LEGS 2.44 [0.096] LONG -
1.57 [0.062] MINIMUM PCB THICKNESS FOR SINGLE SIDED USE.
3.00 [0.118] MINIMUM PCB THICKNESS FOR BELLY TO BELLY USE.
 - NO RoHS EXEMPTIONS
 - WELD SPOTS MAY SHOW SLIGHT MATERIAL DISCOLORATION.

WEEK/YEAR DATE CODE TABLE	
WK	WEEK OF THE YEAR 01 THRU 52 (EXAMPLE: 01= FIRST WEEK OF YEAR 52= LAST WEEK OF YEAR)
YR	22, 23, 24 ETC.. (EXAMPLE: YEAR 2022= 22)
FUNCTIONAL SYMBOLS	THIS DRAWING CONTAINS INFORMATION THAT IS PROPRIETARY TO MOLEX ELECTRONIC TECHNOLOGIES, LLC AND SHOULD NOT BE USED WITHOUT WRITTEN PERMISSION
= 0	DIMENSION UNITS: mm SCALE: 2:1
= 0	GENERAL TOLERANCES (UNLESS SPECIFIED)
= 1	ANGULAR TOL ± 2.0°
DIVISIONAL SYMBOLS	4 PLACES ±
	3 PLACES ±
	2 PLACES ± 0.15
	1 PLACE ± 0.25
	0 PLACES ±
	DRAFT WHERE APPLICABLE MUST REMAIN WITHIN DIMENSIONS
	THIRD ANGLE PROJECTION
	EC NO: 698842
	DRWN: TKUMARKC 2022/02/17
	CHK'D: TKUMARKC 2022/03/16
	APPR: JCHIANG 2022/03/28
	INITIAL REVISION: DRWN: TKUMARKC 2022/02/17
	APPR: JCHIANG 2022/03/28
	DRAWING SERIES: D-SIZE 100014
	MATERIAL NUMBER CUSTOMER: GENERAL MARKET
	DOCUMENT NUMBER: 1000143200 DOC TYPE: PSD DOC PART: ASY REVISION: A
	SHEET NUMBER: 1 OF 7

CAGE ASSEMBLY OPTIONS

1000143541

SHOWN

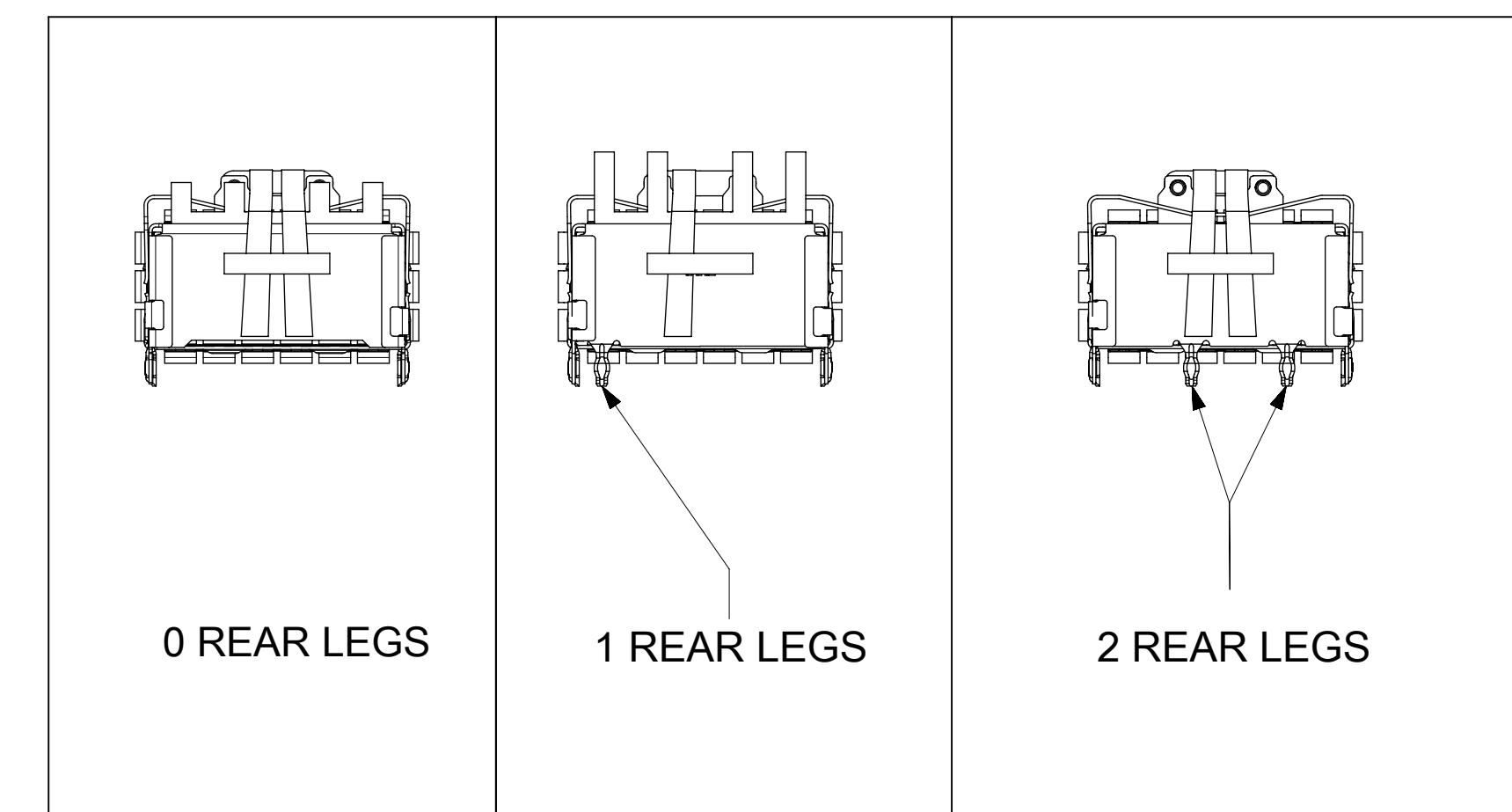


HEATSINK HEIGHT OPTIONS

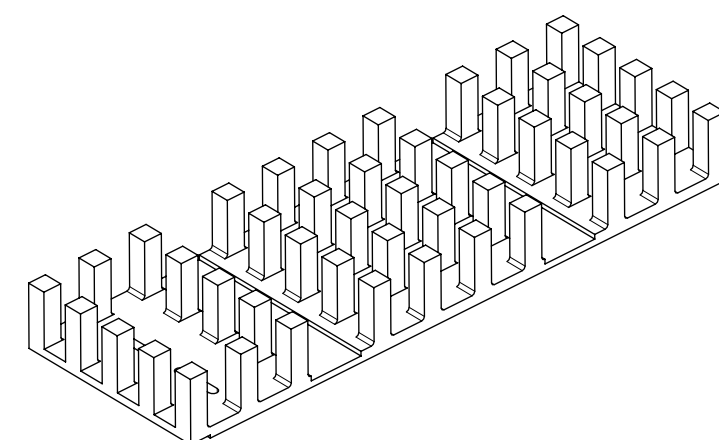
OVERALL HEAT SINK HEIGHT	DIM "A"
PCI	13.7 REF
SAN	16.0 REF
NET	23.0 REF

HEIGHT OF HEAT SINK WITH MODULE INSERTED. DIMENSION MAY BE LESS DUE TO MODULE AND HEAT SINK VARIATIONS

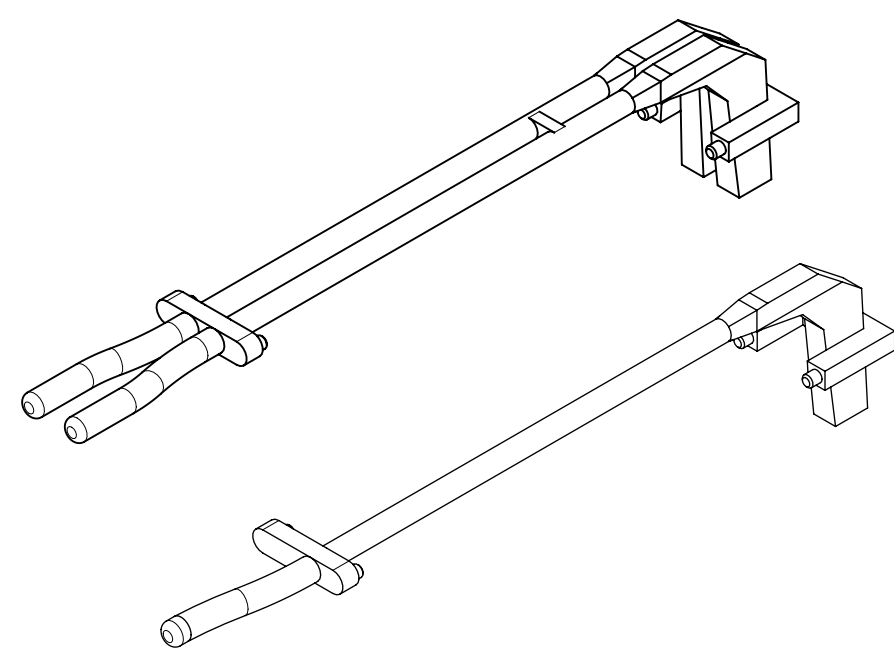
REAR LEG OPTIONS



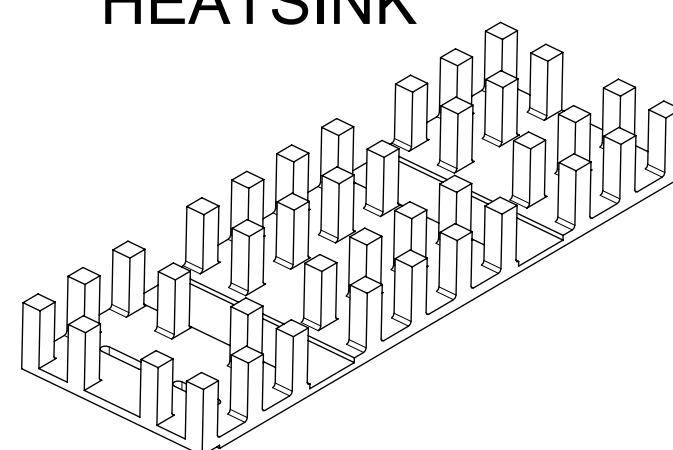
HEAT SINK USED WITHOUT LIGHTPIPE



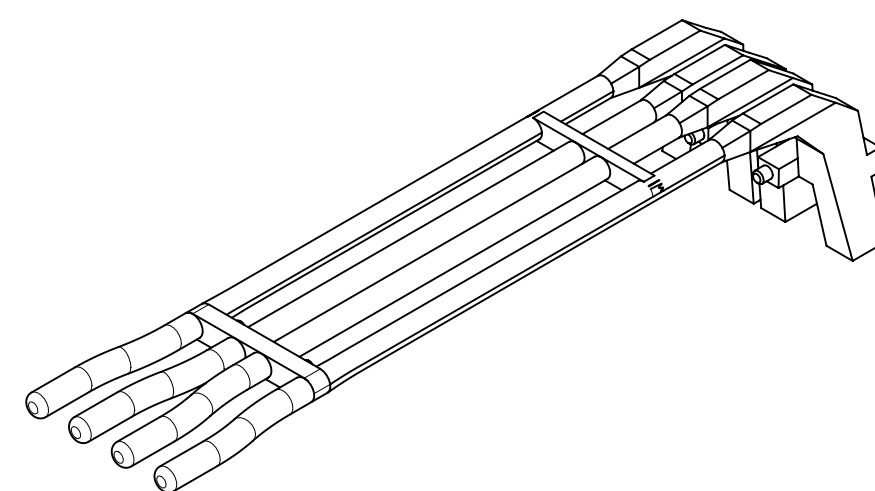
SINGLE / DUAL LIGHT PIPE



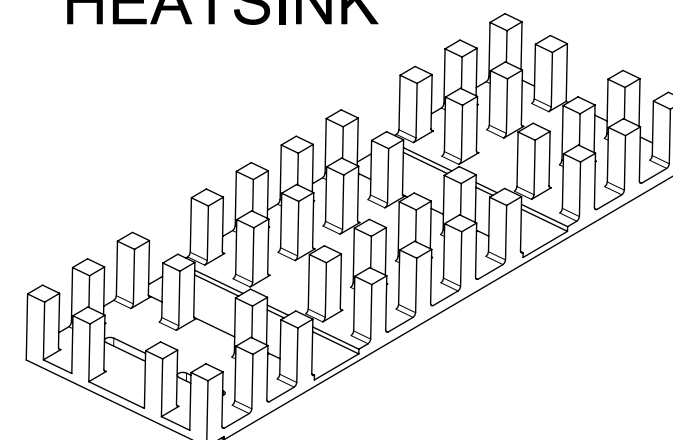
HEATSINK



QUAD LIGHT PIPE



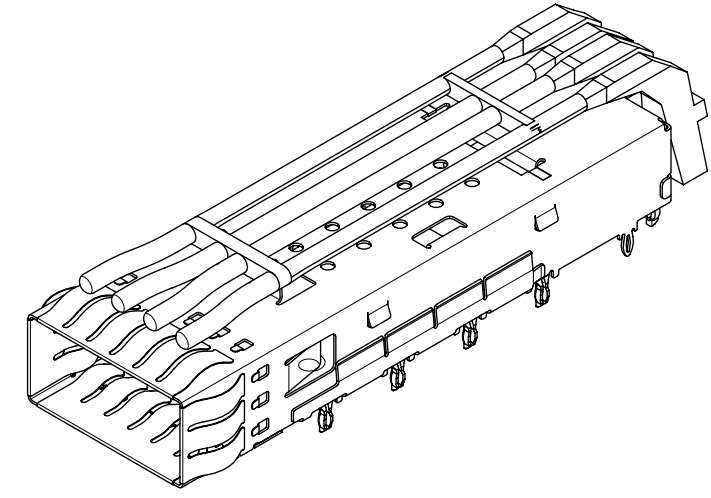
HEATSINK



FUNCTIONAL SYMBOLS $F_A = 0$ $F_C = 0$ $F_D = 0$	THIS DRAWING CONTAINS INFORMATION THAT IS PROPRIETARY TO MOLEX ELECTRONIC TECHNOLOGIES, LLC AND SHOULD NOT BE USED WITHOUT WRITTEN PERMISSION		CURRENT REV DESC: SEE REVISION TABLE	
	DIMENSION UNITS	SCALE	EC NO: 698842	
	mm	2:1	DRWN: TKUMARKC	2022/02/17
	GENERAL TOLERANCES (UNLESS SPECIFIED)		CHK'D: TKUMARKC	2022/03/16
ANGULAR TOL $\pm 2.0^\circ$		APPR: JCHIANG	2022/03/28	
4 PLACES \pm		INITIAL REVISION:		
3 PLACES \pm		DRWN: TKUMARKC	2022/02/17	
2 PLACES ± 0.15		APPR: JCHIANG	2022/03/28	
1 PLACE ± 0.25		DRAFT WHERE APPLICABLE MUST REMAIN WITHIN DIMENSIONS		
0 PLACES \pm		THIRD ANGLE PROJECTION	DRAWING	
			SERIES	
		D-SIZE	100014	
DOCUMENT NUMBER		CUSTOMER	SHEET NUMBER	
1000143200		GENERAL MARKET	2 OF 7	

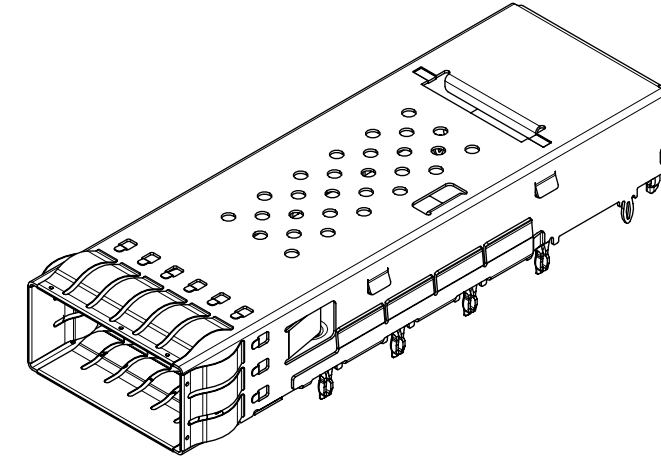
PART NUMBER SELECTION

NO HEATSINKS
WITH LIGHT PIPES
CLOSED TOP



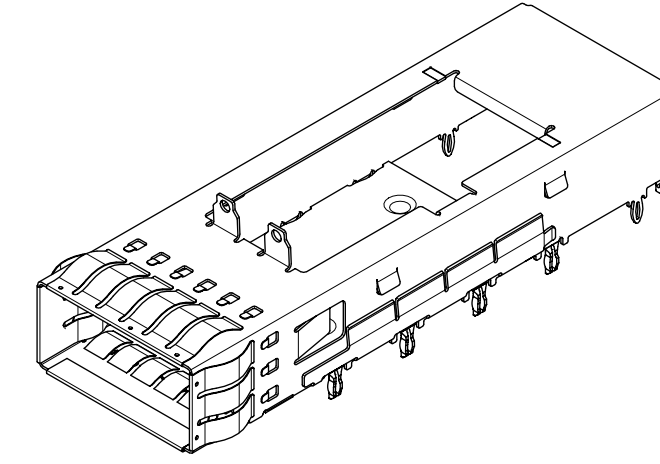
MOLEX P/N	LIGHT PIPES	#OF REAR LEGS PER PORT	DIM "B"
1000143235	QUAD	0	61.07 REF

NO HEATSINKS
NO LIGHT PIPES
CLOSED TOP



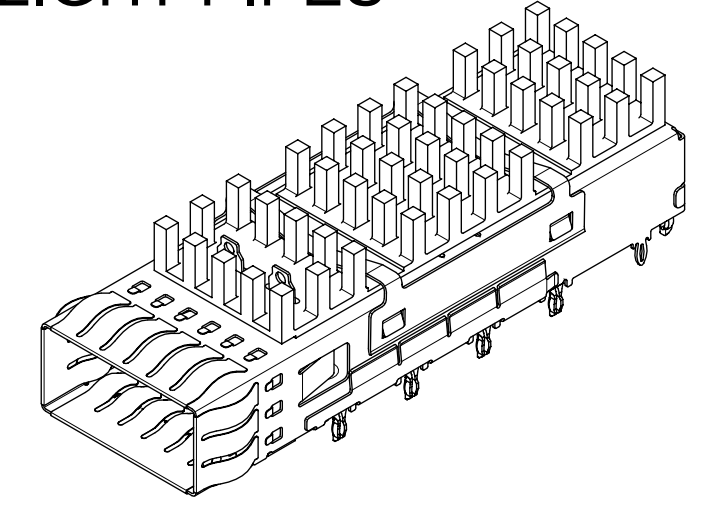
MOLEX P/N W/ SPRING FINGERS	#OF REAR LEGS PER PORT
1000143240	0
1000143242	1

NO HEATSINKS
NO LIGHT PIPES
OPEN TOP



MOLEX P/N W/ SPRING FINGERS	#OF REAR LEGS PER PORT	LP TAB FEATURE
1000143250	0	YES
1000143252	1	YES

WITH HEATSINKS
NO LIGHT PIPES



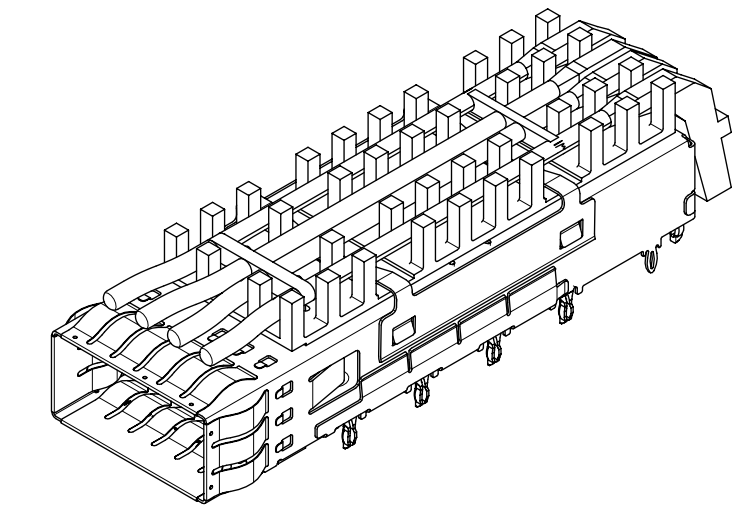
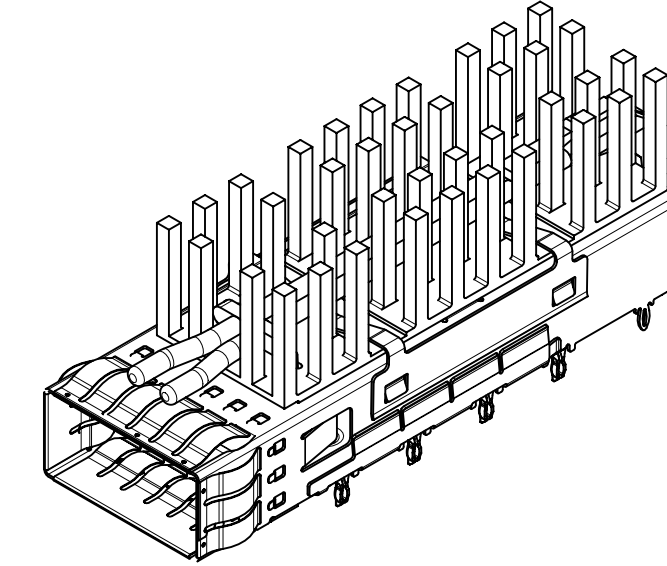
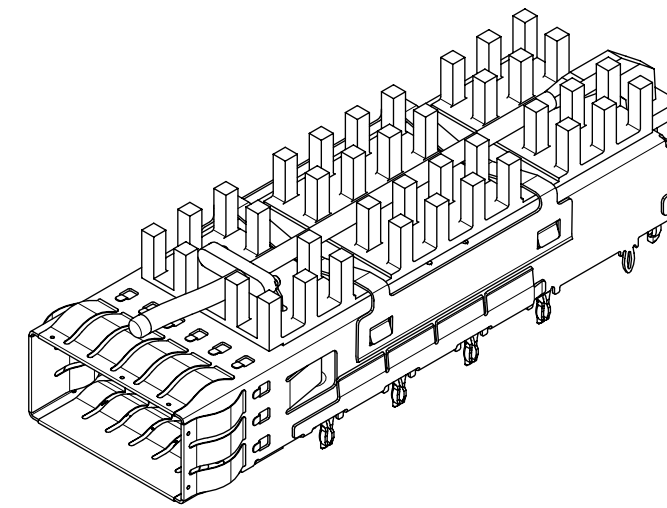
MOLEX P/N	HEATSINKS	#OF REAR LEGS PER PORT
1000143340	PCI	0
1000143341	SAN	0
1000143342	NET	0
1000143343	PCI	1
1000143344	SAN	1
1000143345	NET	1
1000143346	PCI	2

SINGLE LIGHT PIPE

DUAL LIGHT PIPE

QUAD LIGHT PIPE

WITH HEATSINKS AND LIGHT PIPES

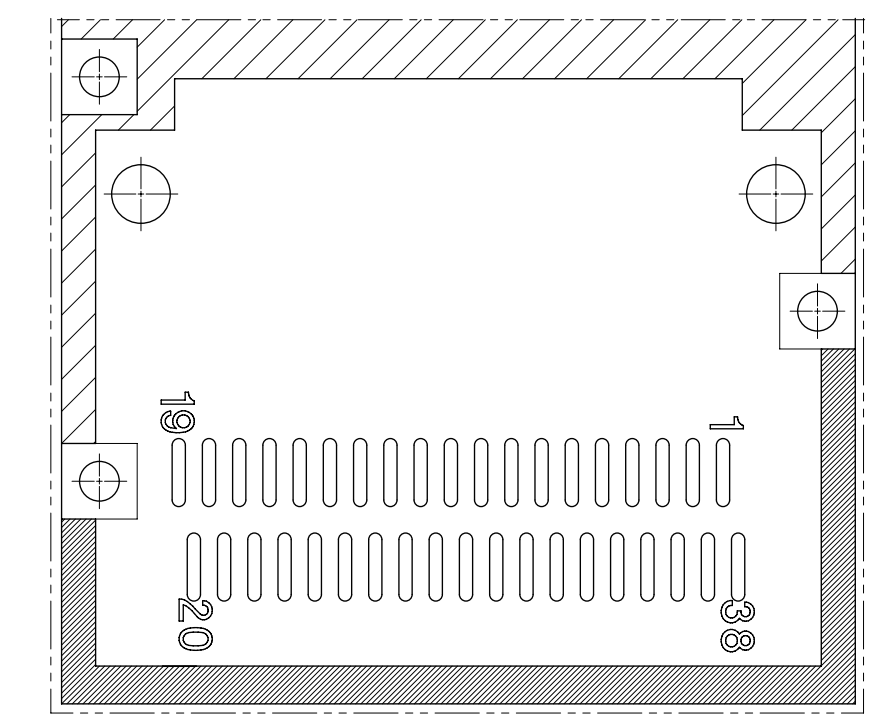


MOLEX P/N	LIGHTPIPES	HEATSINKS	#OF REAR LEGS PER PORT	DIM "B"
1000143442	SINGLE	NET	0	61.07 REF
1000143443	DUAL	PCI	0	61.07 REF
1000143445	DUAL	NET	0	61.07 REF
1000143447	QUAD	SAN	0	61.07 REF
1000149448	QUAD	NET	0	61.07 REF
1000143541	SINGLE	SAN	1	61.07 REF
1000143542	SINGLE	NET	1	61.07 REF
1000149547	QUAD	SAN	1	61.07 REF
1000143548	QUAD	NET	1	61.07 REF
1000143646	QUAD	PCI	2	61.07 REF

FUNCTIONAL SYMBOLS $\nabla_A = 0$ $\nabla_C = 0$ $\nabla_D = 0$	THIS DRAWING CONTAINS INFORMATION THAT IS PROPRIETARY TO MOLEX ELECTRONIC TECHNOLOGIES, LLC AND SHOULD NOT BE USED WITHOUT WRITTEN PERMISSION		CURRENT REV DESC: SEE REVISION TABLE	
	DIMENSION UNITS	SCALE		
	mm	1.5:1		
	GENERAL TOLERANCES (UNLESS SPECIFIED)			
DIVISIONAL SYMBOLS 4 PLACES ± 3 PLACES ± 2 PLACES ± 0.15 1 PLACE ± 0.25 0 PLACES ±	ANGULAR TOL	± 2.0°	EC NO: 698842	
			DRWN: TKUMARKC 2022/02/17	
			CHK'D: TKUMARKC 2022/03/16	
			APPR: JCHIANG 2022/03/28	
DRAFT WHERE APPLICABLE MUST REMAIN WITHIN DIMENSIONS		THIRD ANGLE PROJECTION	DRAWING	SERIES
			D-SIZE	100014
		MATERIAL NUMBER		CUSTOMER
		1000143200		GENERAL MARKET
		DOCUMENT NUMBER	DOC TYPE	DOC PART
		1000143200	PSD	ASY
		REVISION		
		A		
		SHEET NUMBER		
		3 OF 7		

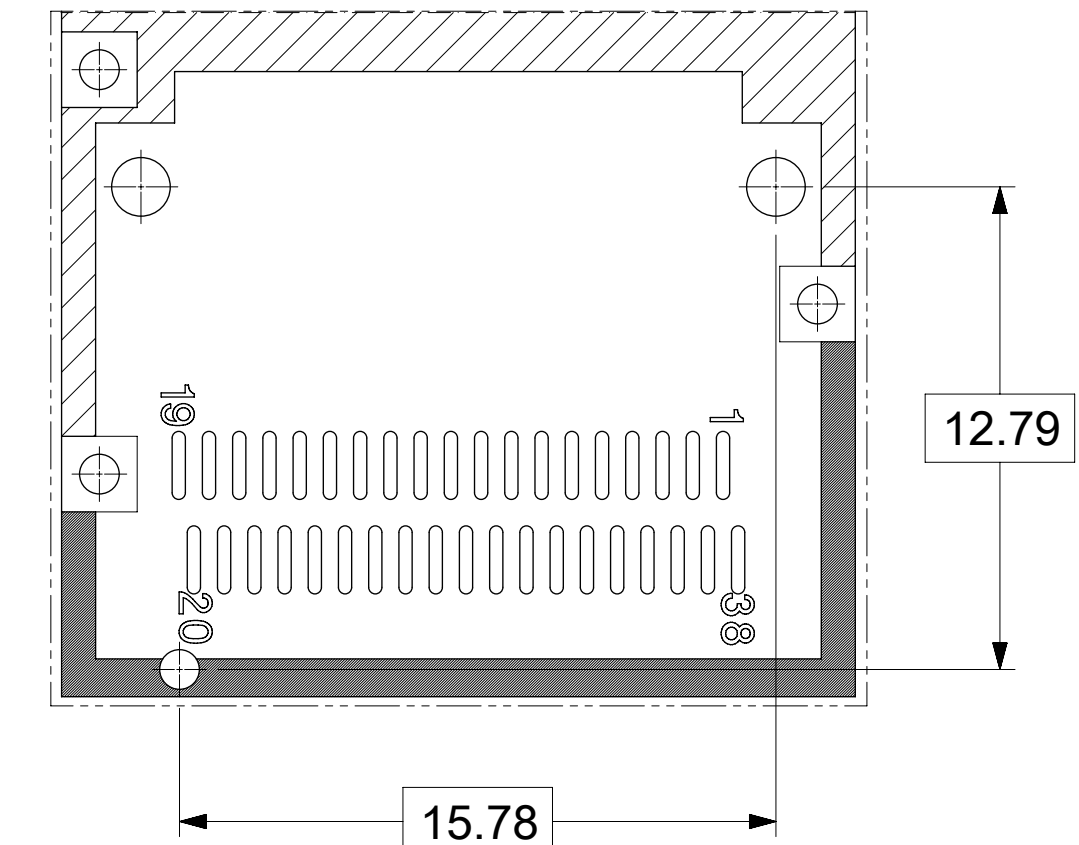
PCB LAYOUT FOR SINGLE SIDED MOUNTING

NO REAR LEGS



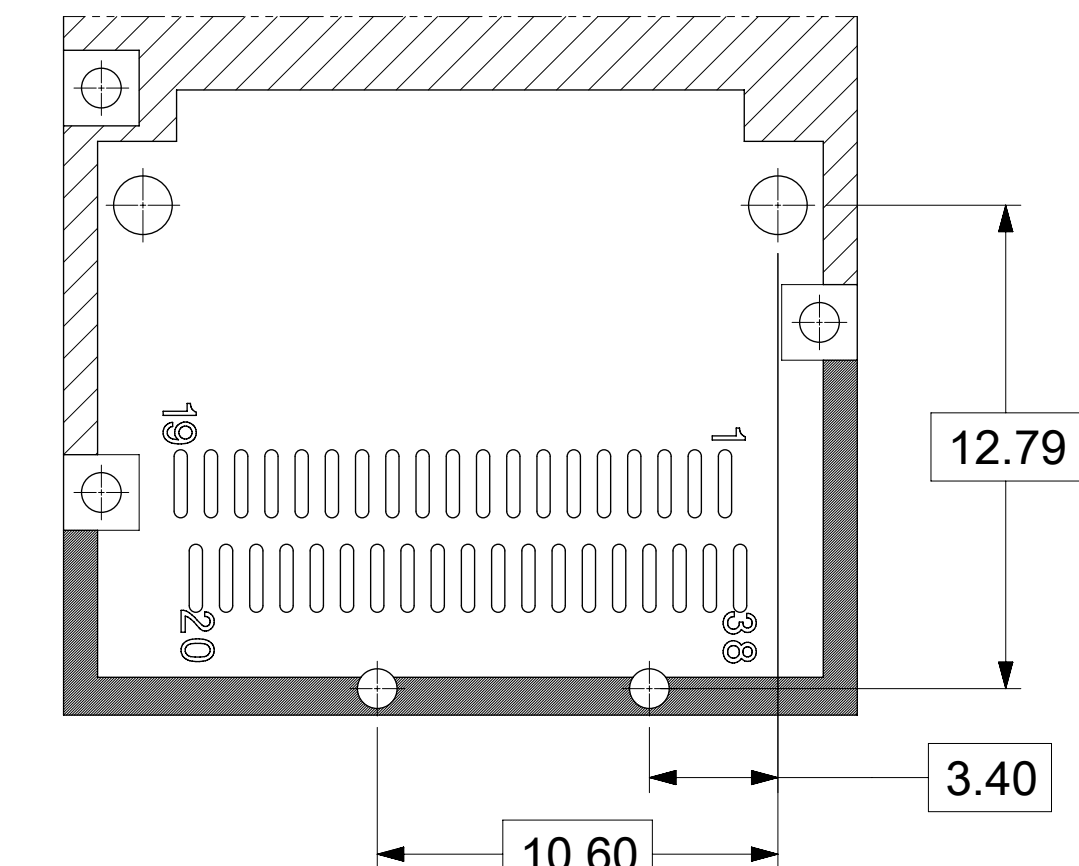
PARTIAL 1
SCALE 5:1

1 REAR LEG

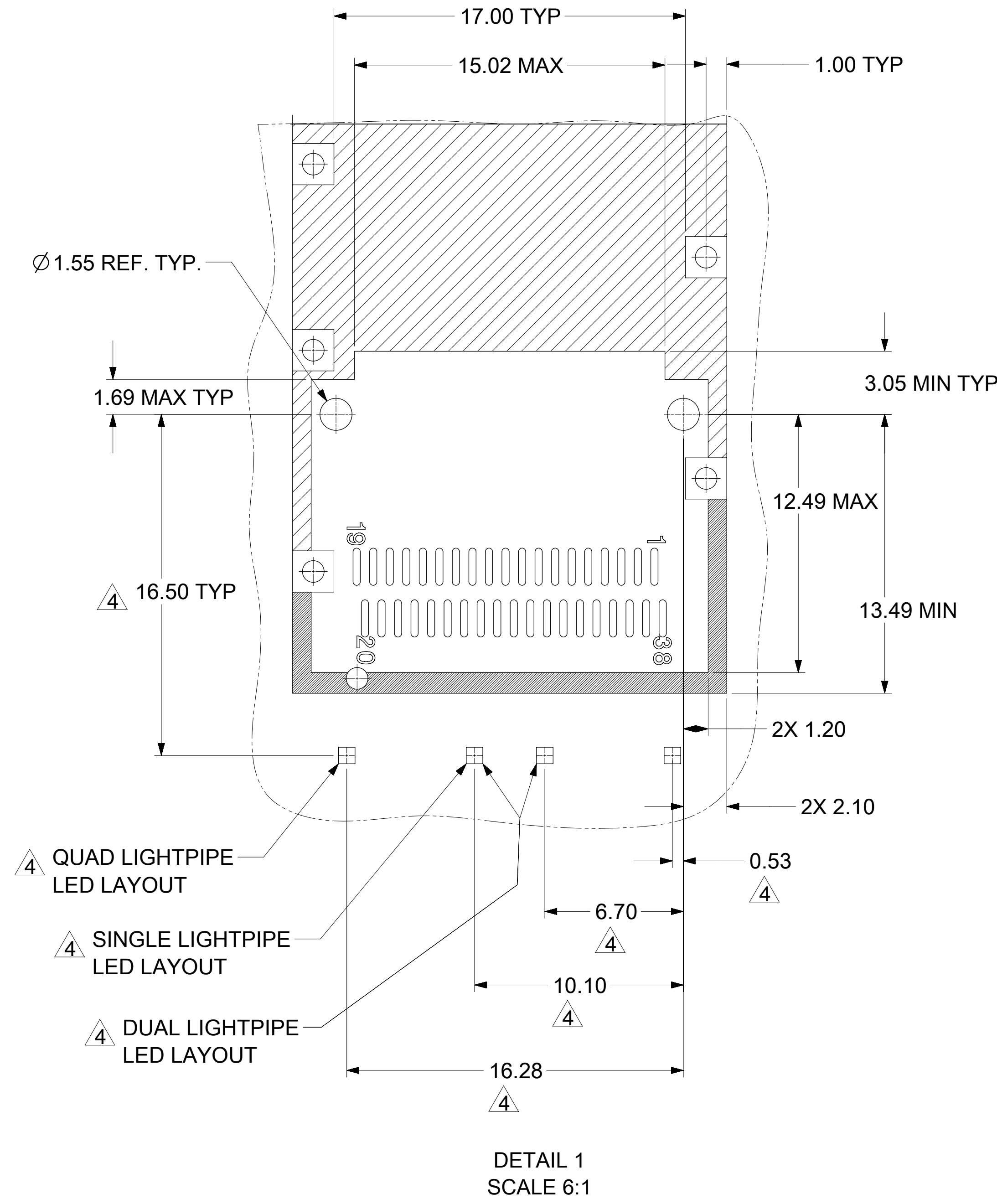
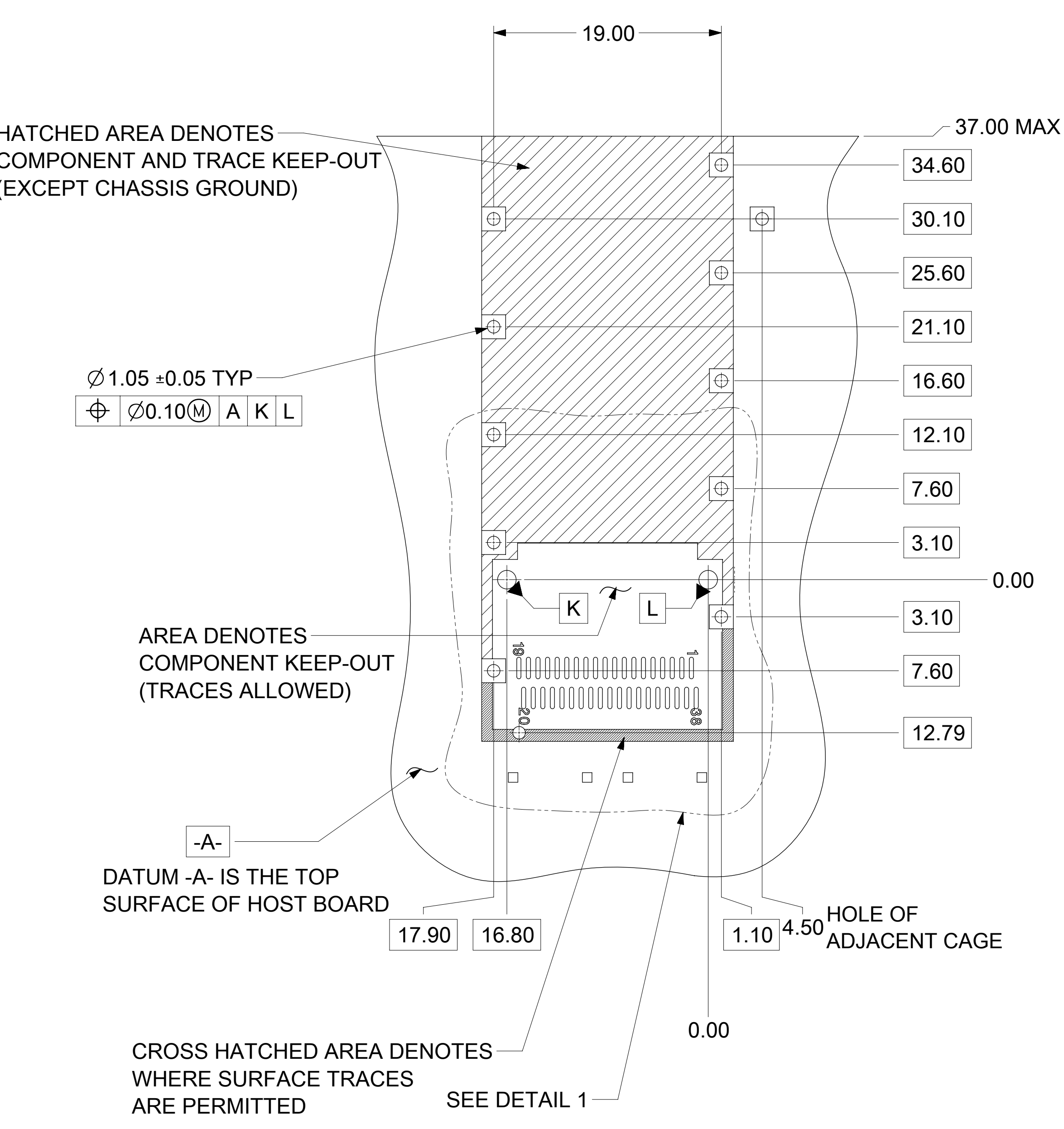


PARTIAL 2
SCALE 5:1

2 REAR LEGS



PARTIAL 3
SCALE 5:1



- 4 QUAD LIGHTPIPE LED LAYOUT
- 4 SINGLE LIGHTPIPE LED LAYOUT
- 4 DUAL LIGHTPIPE LED LAYOUT

HATCHED AREA DENOTES COMPONENT AND TRACE KEEP-OUT (EXCEPT CHASSIS GROUND)

Ø 1.05 ± 0.05 TYP
Ø 0.10 (M, A, K, L)

AREA DENOTES COMPONENT KEEP-OUT (TRACES ALLOWED)

DATUM -A- IS THE TOP SURFACE OF HOST BOARD

CROSS HATCHED AREA DENOTES WHERE SURFACE TRACES ARE PERMITTED

SEE DETAIL 1

- NOTES:
1. PADS AND VIAS GO TO CHASSIS GROUND. (RECOMMENDED PADS TO BE 2.00mm SQUARE.)
 2. RECOMMENDED THRU HOLE PLATING INCLUDES HASL, OSP, OR IMMERSION (GOLD, SILVER, OR TIN).
 3. CONNECTOR PAD LAYOUT PER SFF-8663 WILL ACCOMMODATE MOLEX CONNECTOR SERIES 170432.
 4. NOTED DIMENSIONS ONLY APPLY TO CAGE ASSEMBLIES WITH LIGHT PIPES.

FUNCTIONAL SYMBOLS	THIS DRAWING CONTAINS INFORMATION THAT IS PROPRIETARY TO MOLEX ELECTRONIC TECHNOLOGIES, LLC AND SHOULD NOT BE USED WITHOUT WRITTEN PERMISSION		CURRENT REV DESC: SEE REVISION TABLE	
	DIMENSION UNITS	SCALE		
FA = 0	mm	3.5:1		
FC = 0	GENERAL TOLERANCES (UNLESS SPECIFIED)			
FD = 0	ANGULAR TOL ± 2.0°			
DIVISIONAL SYMBOLS	4 PLACES	±		
	3 PLACES	±		
	2 PLACES	± 0.15		
	1 PLACE	± 0.25		
DRAFT WHERE APPLICABLE MUST REMAIN WITHIN DIMENSIONS		THIRD ANGLE PROJECTION	DRAWING	SERIES
			D-SIZE	100014
DOCUMENT STATUS		EC NO: 698842	INITIAL REVISION:	
P1	RELEASE DATE	DRWN: TKUMARKC	DRWN: TKUMARKC	
	2022/03/28 08:56:17	CHK'D: TKUMARKC	APPR: JCHIANG	
		APPR: JCHIANG	2022/03/28	
		GENERAL MARKET		
		SHEET NUMBER		
		4 OF 7		

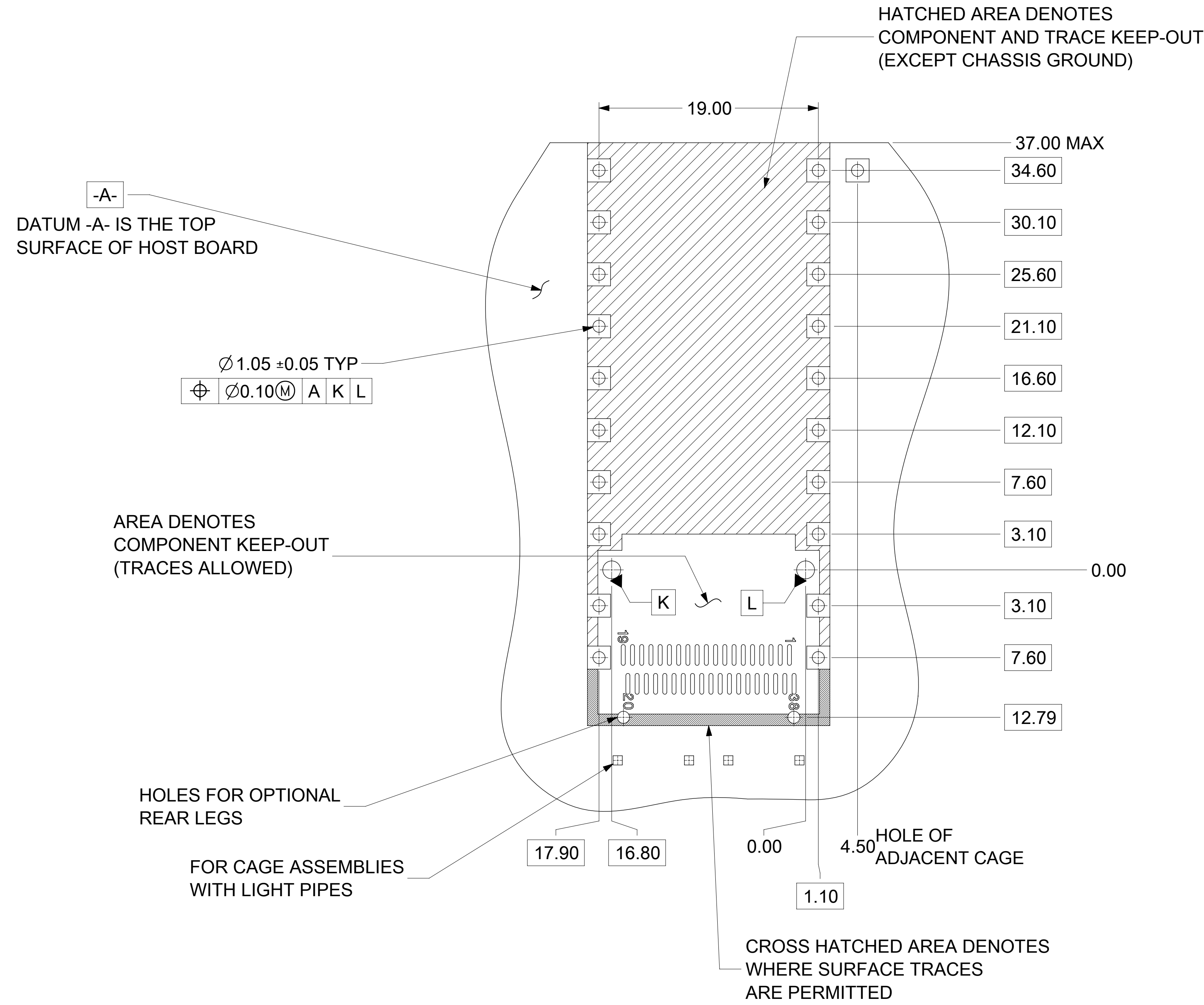
molex

ZQSFP+ 1X1 CAGE ASSY'S W/ SUS TAB TYPE SPRING FINGER, H/S & L/P OPTIONS

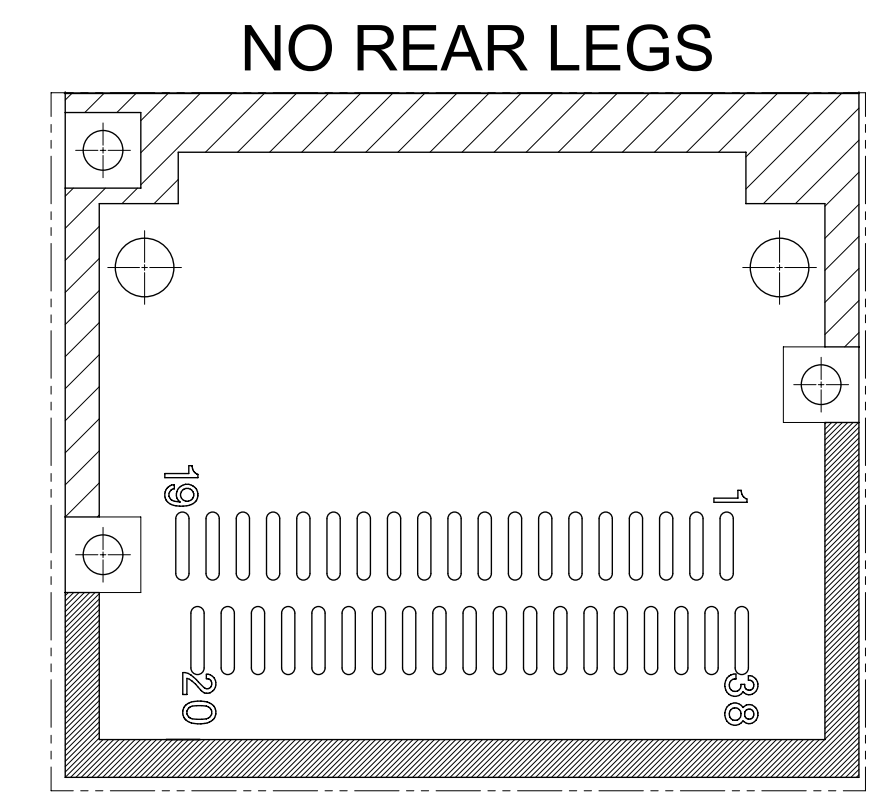
PRODUCT CUSTOMER DRAWING

DOCUMENT NUMBER: 1000143200
DOC TYPE: PSD
DOC PART: ASY
REVISION: A

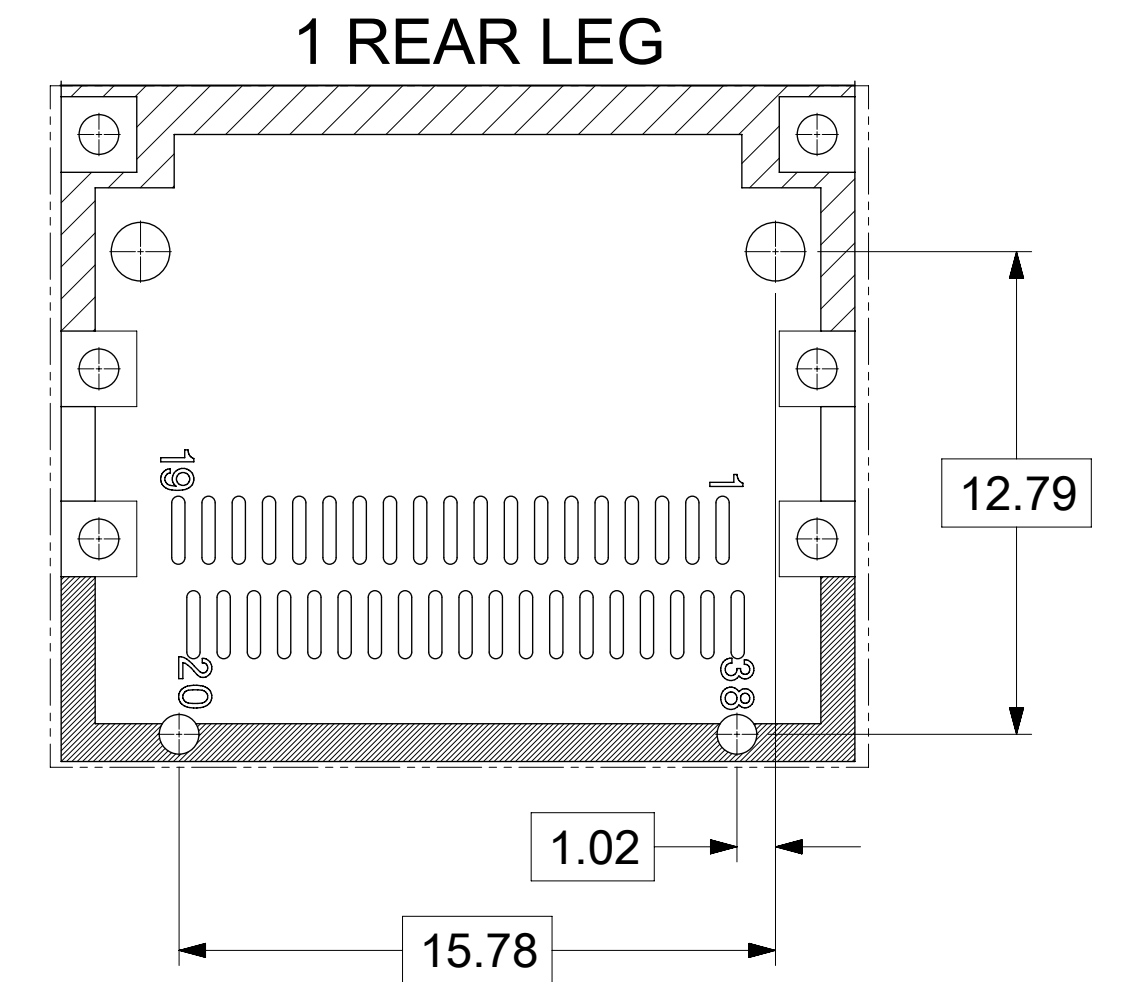
PCB LAYOUT FOR BELLY TO BELLY MOUNTING



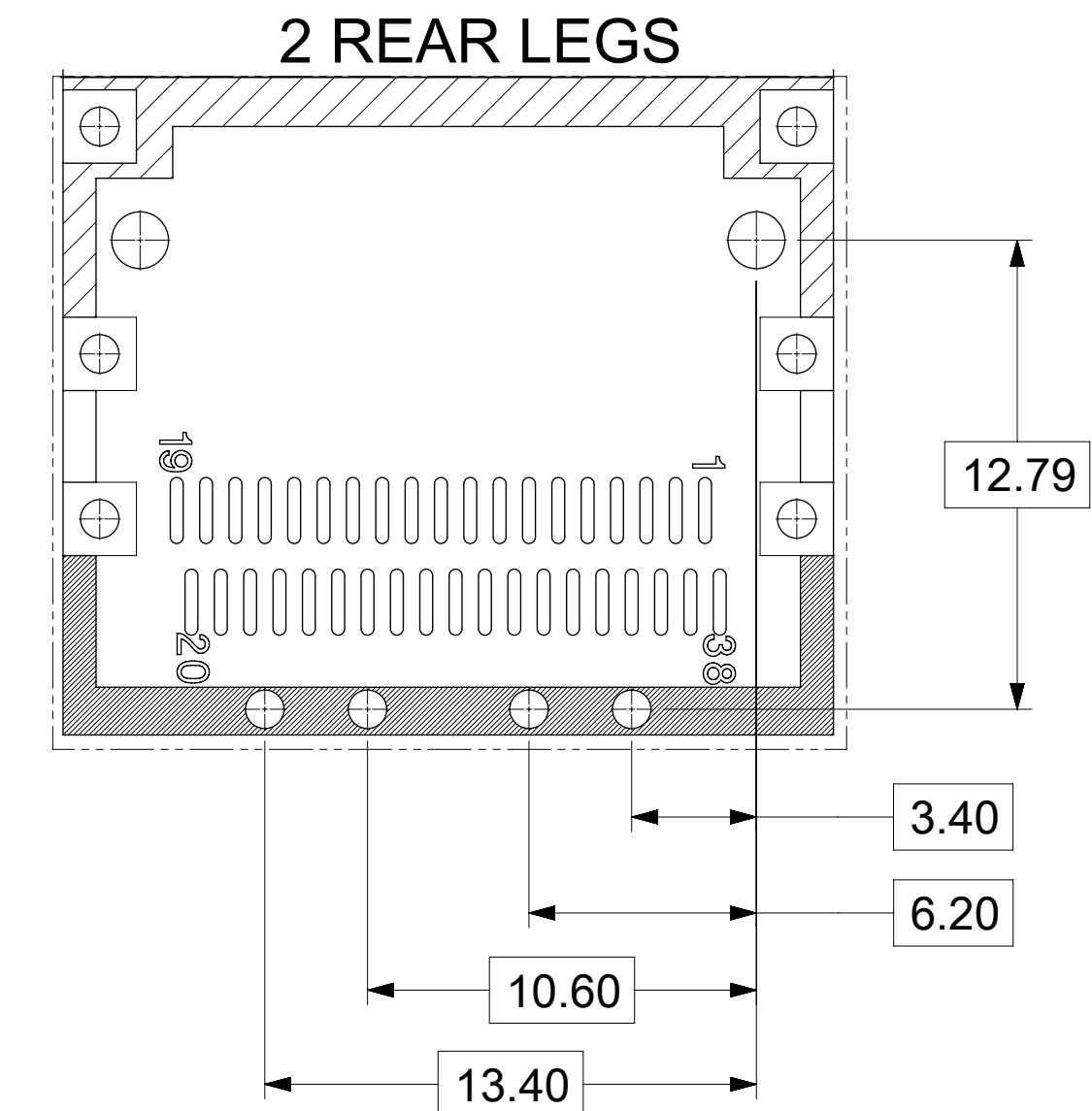
NOTE:
SEE SHEET 4 FOR
HOST CONNECTOR DETAIL
AND LED LOCATION DETAILS



PARTIAL 1
SCALE 5:1



PARTIAL 5
SCALE 5:1

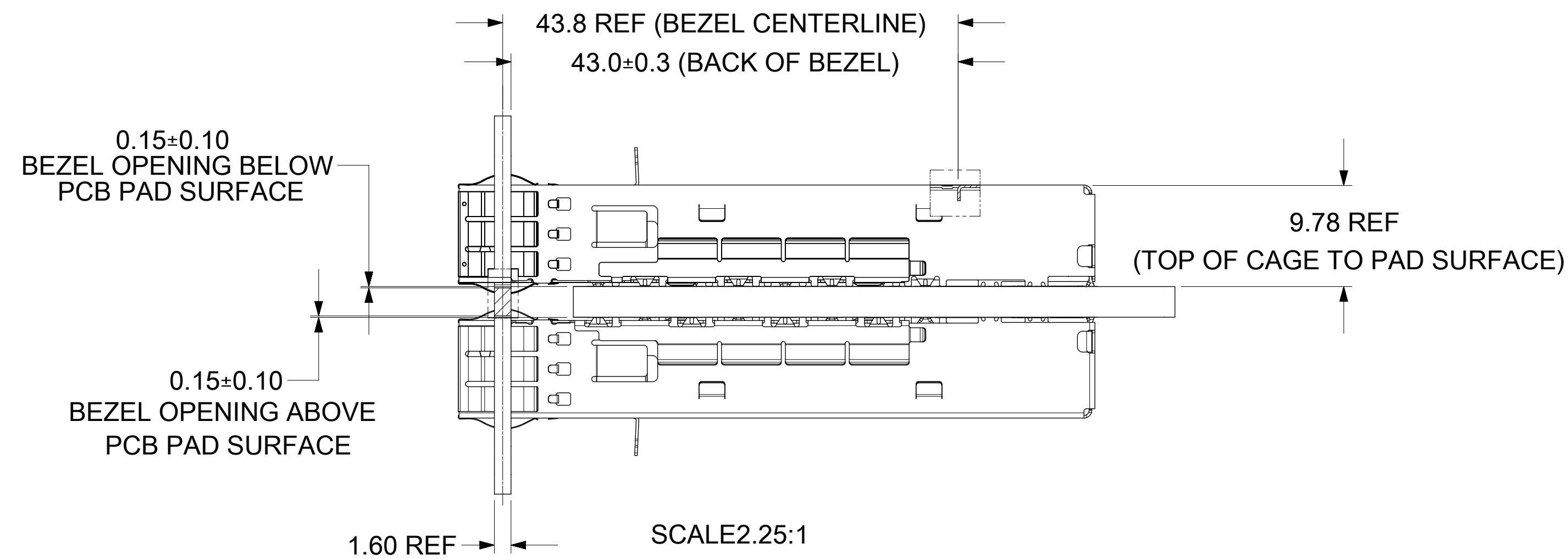


PARTIAL 6
SCALE 5:1

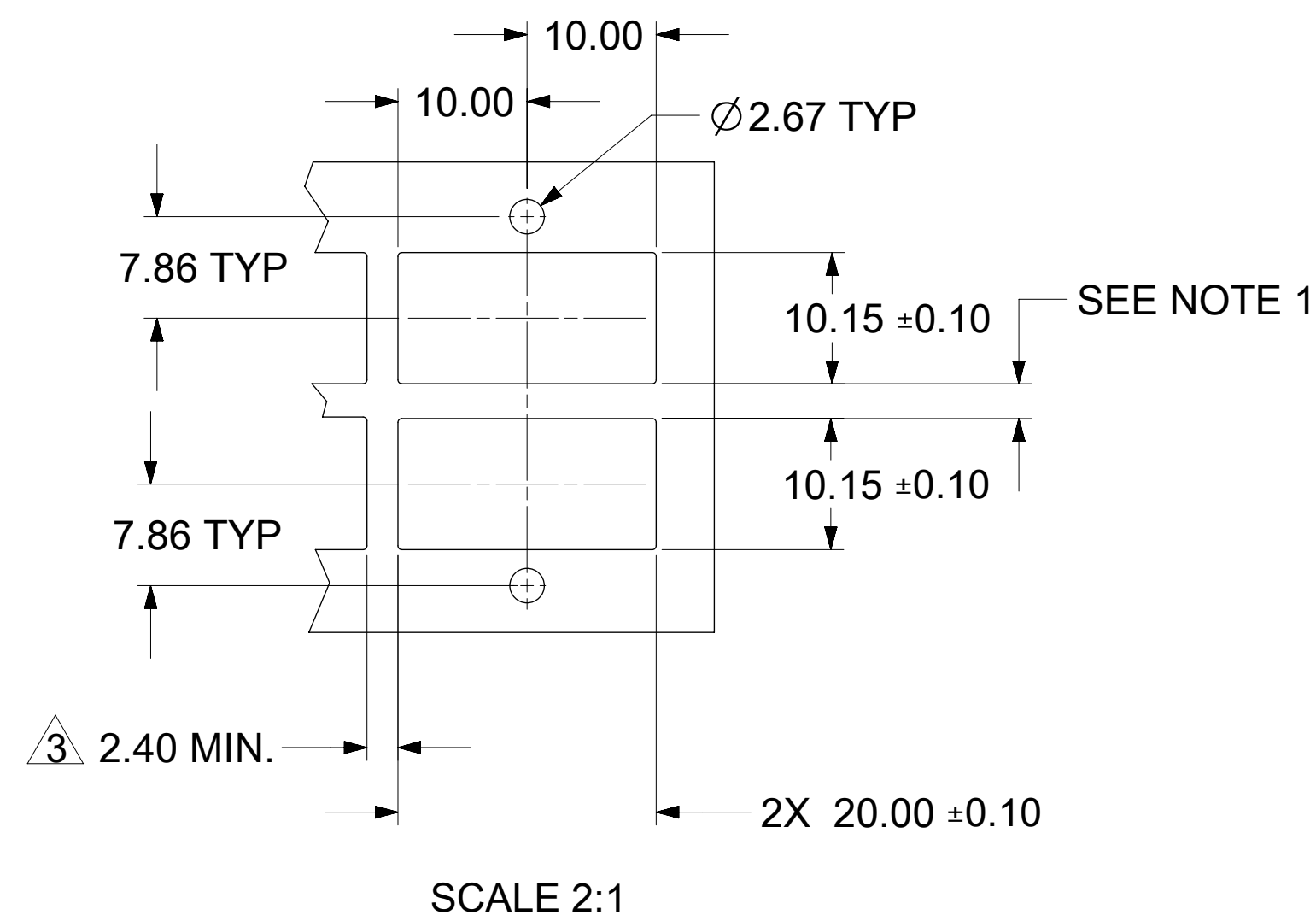
- NOTES:
1. PADS AND VIAS GO TO CHASSIS GROUND. (RECOMMENDED PADS TO BE 2.00mm SQUARE.)
 2. RECOMMENDED THRU HOLE PLATING INCLUDES HASL, OSP, OR IMMERSION (GOLD, SILVER, OR TIN).
 3. CONNECTOR PAD LAYOUT PER SFF-8663 WILL ACCOMODATE MOLEX CONNECTOR SERIES 170432.

FUNCTIONAL SYMBOLS	THIS DRAWING CONTAINS INFORMATION THAT IS PROPRIETARY TO MOLEX ELECTRONIC TECHNOLOGIES, LLC AND SHOULD NOT BE USED WITHOUT WRITTEN PERMISSION		CURRENT REV DESC: SEE REVISION TABLE	
	FA = 0	mm	SCALE	4:1
DIVISIONAL SYMBOLS	GENERAL TOLERANCES (UNLESS SPECIFIED)			
	FC = 0	ANGULAR TOL ± 2.0°		
DIVISIONAL SYMBOLS	FP = 0	4 PLACES	±	
		3 PLACES	±	
		2 PLACES	±	0.15
		1 PLACE	±	0.25
		0 PLACES	±	
DRAFT WHERE APPLICABLE MUST REMAIN WITHIN DIMENSIONS		THIRD ANGLE PROJECTION	DRAWING	SERIES
			D-SIZE	100014
DOCUMENT STATUS		EC NO: 698842	INITIAL REVISION:	
P1	RELEASE DATE	DRWN: TKUMARKC	DRWN: TKUMARKC	
	2022/03/28 08:56:17	CHK'D: TKUMARKC	CHK'D: TKUMARKC	
		APPR: JCHIANG	APPR: JCHIANG	
			2022/02/17	2022/03/16
			2022/03/28	2022/03/28
DOCUMENT NUMBER		DOC TYPE		DOC PART
1000143200		PSD		ASY
CUSTOMER		SHEET NUMBER		REVISION
GENERAL MARKET		5 OF 7		A

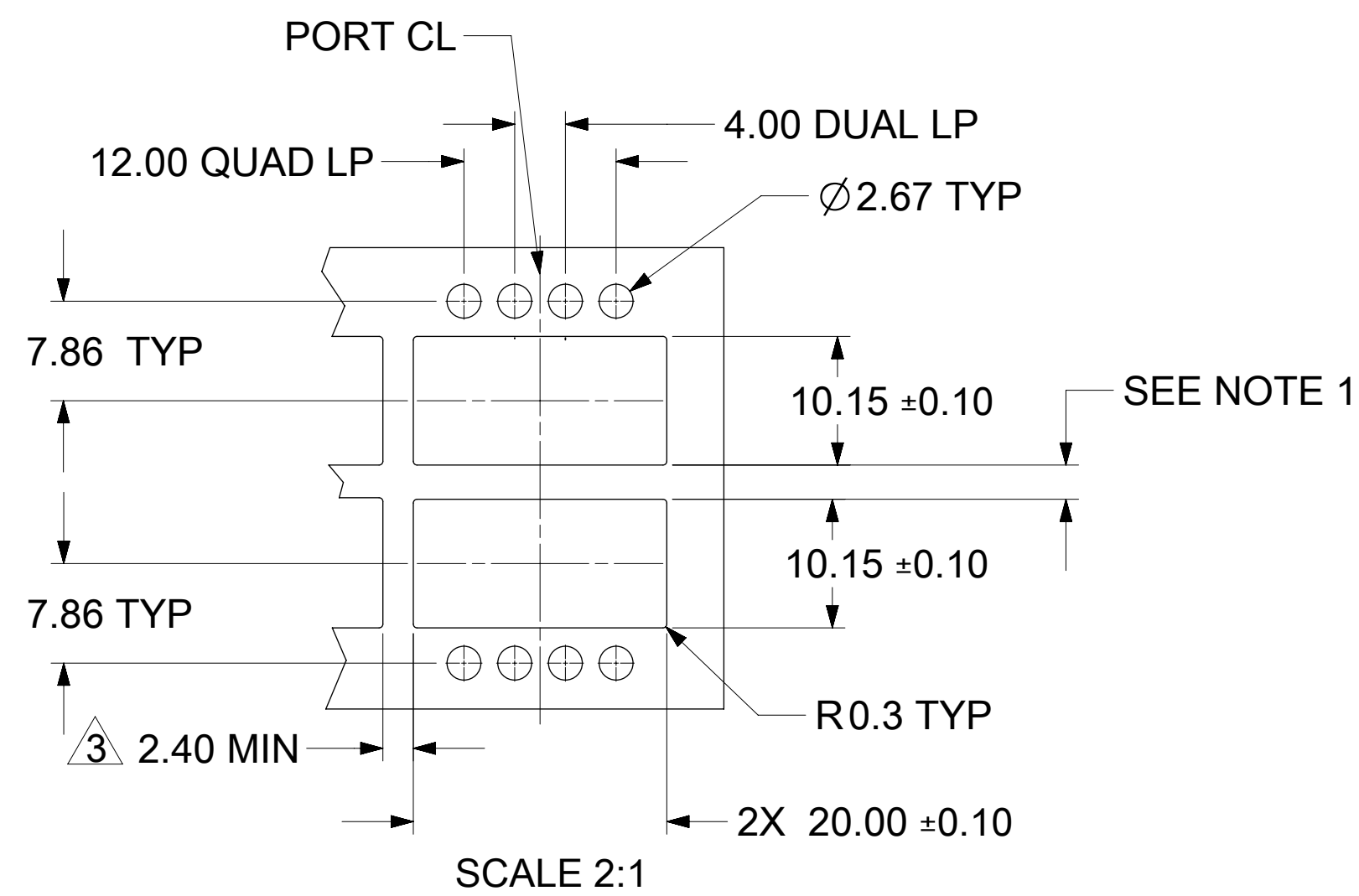
BEZEL AND BOARD POSITION DIMENSIONS FOR BELLY TO BELLY MOUNTING



SINGLE LIGHT PIPE ²

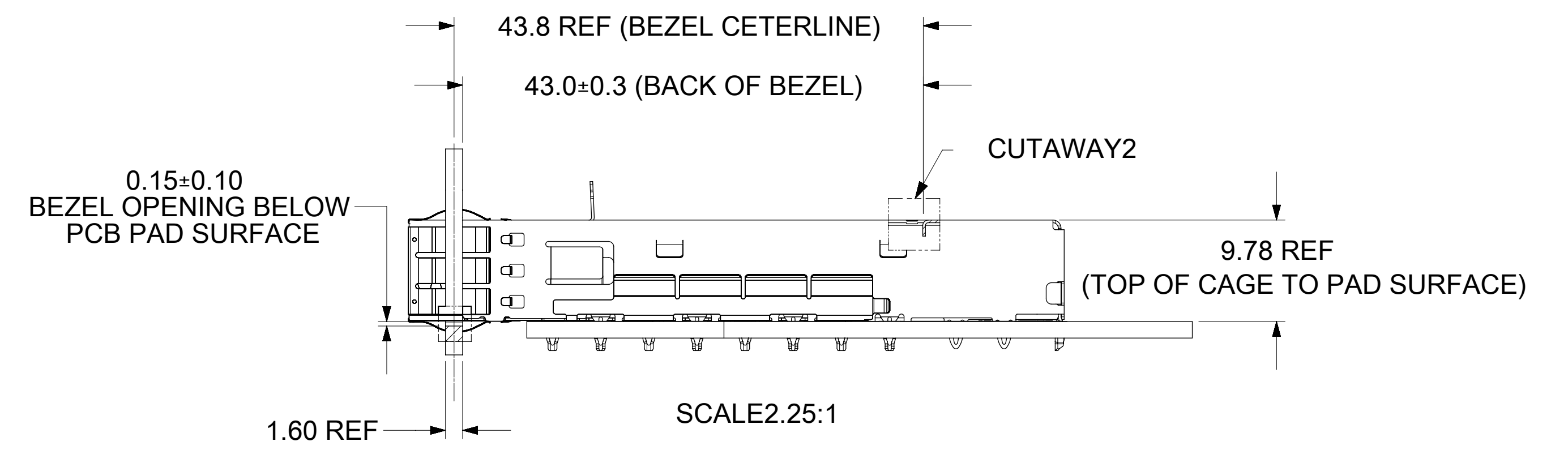


DUAL/QUAD LIGHT PIPE ²

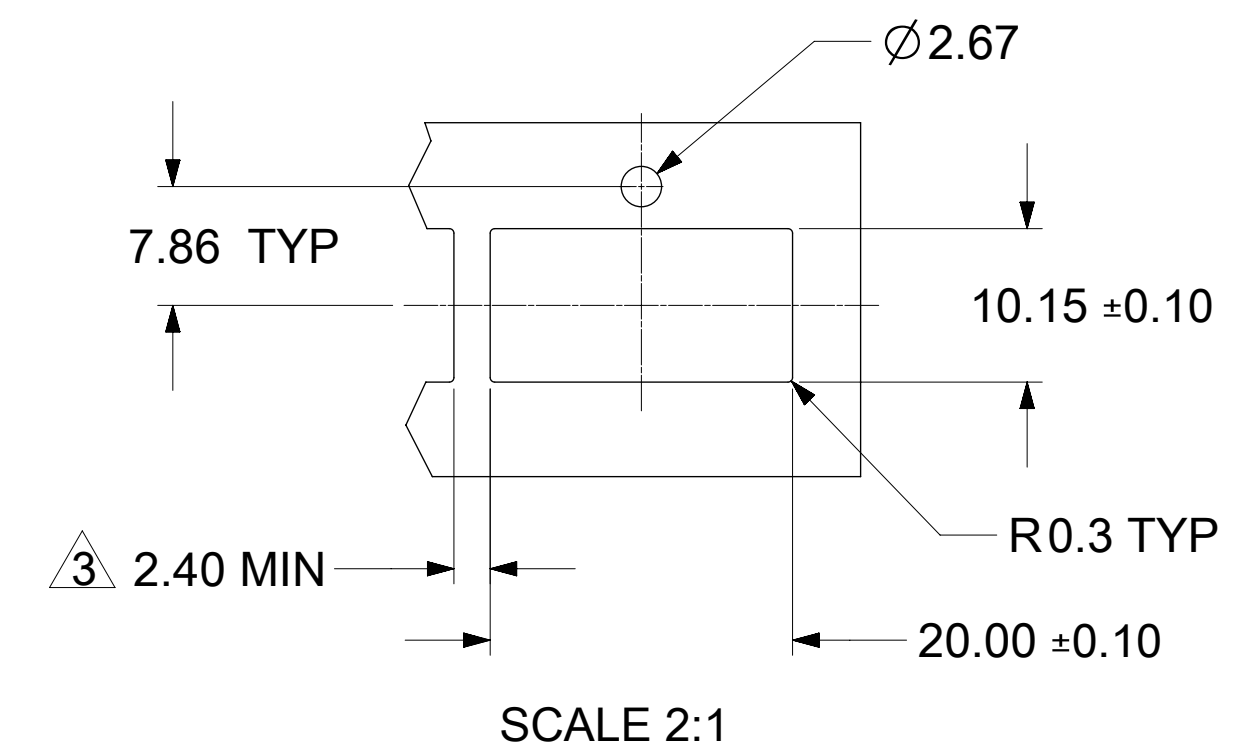


- NOTE:
1. PCB THICKNESS VARIATION MUST BE CONSIDERED WHEN DETERMINING BEZEL OPENING LOCATION.
 2. NOTED DIMENSIONS ONLY APPLY TO CAGE ASSEMBLIES WITH LIGHT PIPES.
 3. THIS DIMENSION IS FOR REFERENCE ONLY. USER CAN MODIFY UT DEPENDS ON APPLICATION. (THIS DIMENSION VARIES BASED ON DISTANCE OF "HOLE OF ADJACENT CAGE" ON PCB LAYOUT.)

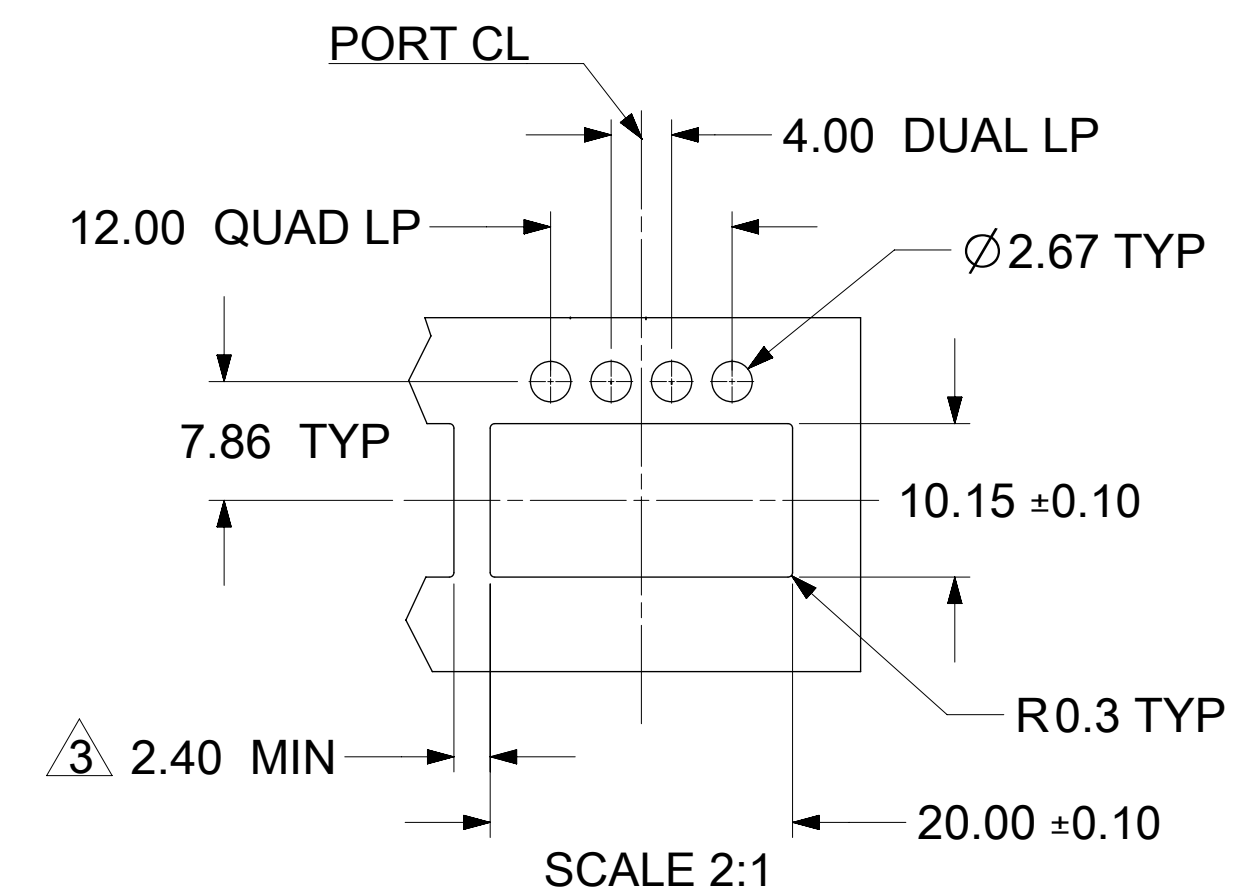
BEZEL AND BOARD POSITION DIMENSIONS FOR SINGLE SIDE MOUNTING



SINGLE LIGHT PIPE ²



DUAL/QUAD LIGHT PIPE ²



FUNCTIONAL SYMBOLS										THIS DRAWING CONTAINS INFORMATION THAT IS PROPRIETARY TO MOLEX ELECTRONIC TECHNOLOGIES, LLC AND SHOULD NOT BE USED WITHOUT WRITTEN PERMISSION									
FA = 0					mm					SCALE 2.5:1					CURRENT REV DESC: SEE REVISION TABLE				
FC = 0					GENERAL TOLERANCES (UNLESS SPECIFIED)					EC NO: 698842					2022/02/17				
FD = 0					ANGULAR TOL ± 2.0°					DRWN: TKUMARKC					2022/03/16				
DIVISIONAL SYMBOLS					4 PLACES ±					CHK'D: TKUMARKC					2022/03/28				
					3 PLACES ±					APPR: JCHIANG					INITIAL REVISION:				
					2 PLACES ± 0.15					DRWN: TKUMARKC					2022/02/17				
					1 PLACE ± 0.25					APPR: JCHIANG					2022/03/28				
					0 PLACES ±					DRAFT WHERE APPLICABLE MUST REMAIN WITHIN DIMENSIONS					THIRD ANGLE PROJECTION				
										DRAWING D-SIZE					SERIES 100014				
DOCUMENT STATUS					P1					RELEASE DATE					2022/03/28 08:56:17				
DOCUMENT NUMBER					1000143200					DOC TYPE					PSD ASY A				
CUSTOMER					GENERAL MARKET					SHEET NUMBER					6 OF 7				

molex

ZQSFP+ 1X1 CAGE ASSY'S W/ SUS TAB TYPE SPRING FINGER, H/S & L/P OPTIONS

PRODUCT CUSTOMER DRAWING

DOCUMENT NUMBER DOC TYPE DOC PART REVISION

1000143200

PSD ASY A

MATERIAL NUMBER CUSTOMER SHEET NUMBER

GENERAL MARKET 6 OF 7

