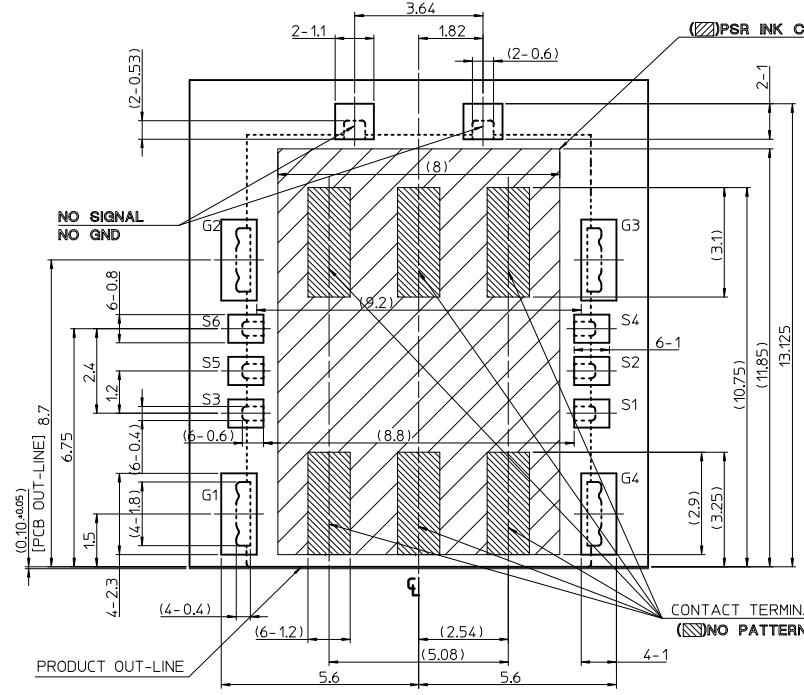
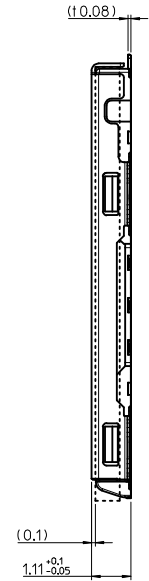
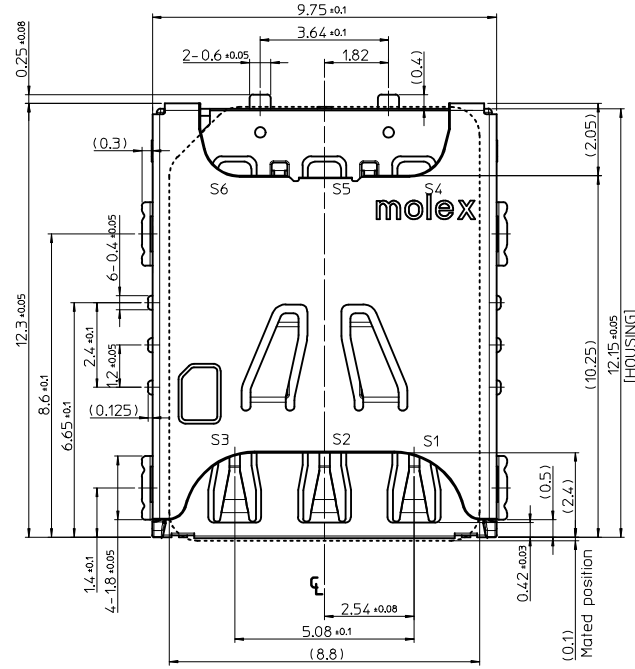


Isometric View
(Scale 5/1)

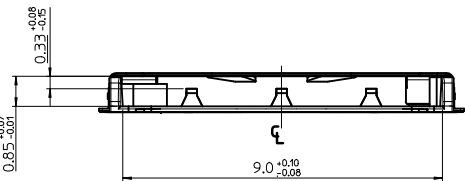
1. MATERIALS:
 1-1. HOUSING : HIGH TEMPERATURE THERMOPLASTIC,UL 94V-0, NATURAL
 1-2. CONTACT TER"L : COPPER ALLOY
 1-3. METAL SHELL : STAINLESS STEEL
 2. FINISHES:
 2-1. CONTACT TER"L : 125-5,5 MICRON NICKEL UNDER-PLATED"
 MIN. 0,05 MICRON GOLD ON CONTACT AREA,
 MIN. 0,30 MICRON PALLADIUM ON CONTACT AREA,
 MIN. 0,05 MICRON GOLD ON SOLDER AREA
 2-2. METAL SHELL: 1,25-3,0 MICRON NICKEL OVERALL
 3. COPLANARITY OF SOLDER TAILS : 0,08mm MAX.(BEFORE & AFTER REFLOW)
 4. PRODUCT SPECIFICATION : PS-104224-001
 5. PACKAGING SPECIFICATION : PK-104224-001



[nanoSIM CARD PIN-MAP]

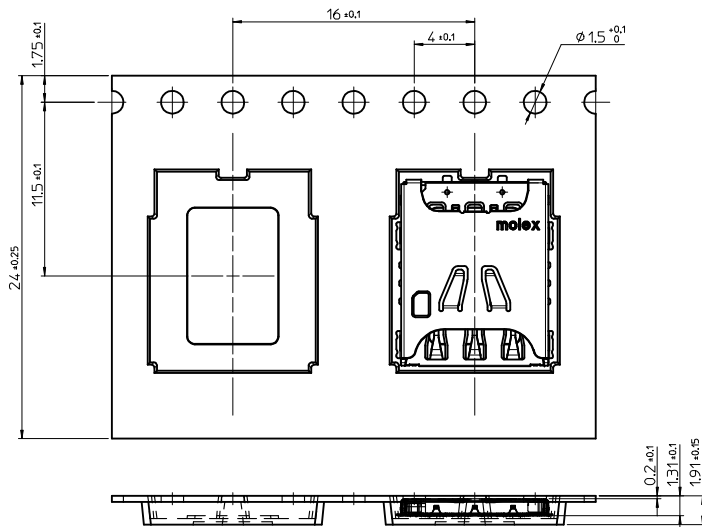
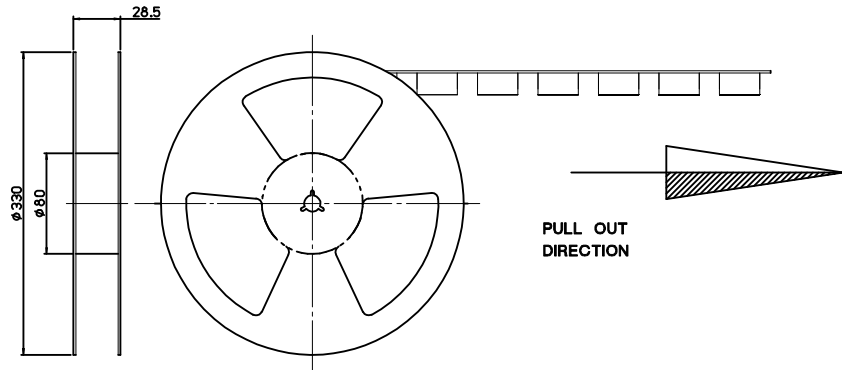
8P	6P	DESCRIPTION
C1	S1	Vcc(Supply V)
C2	S2	RST(Reset)
C3	S3	CLK(Clock)
C4	--	Reserved
C5	S4	GND
C6	S5	Vpp(Program V)
C7	S6	I/O
C8	--	Reserved
G1-G4		GND

RECOMMENDED PCB PATTERN LAYOUT
TOLERANCE : ±0.05



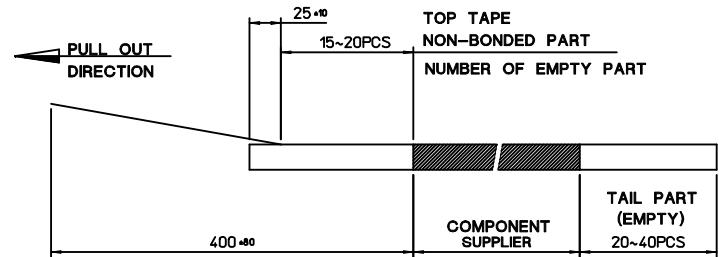
1042240820	104224-0820
MATERIAL NO.	ORDER NO.

<p>NEW RELEASE EC NO: KOR2014-0104 DRWN: IHYOU 2014/09/04 CHKD: APPR: YSK1M02 2014/09/15</p>	<p>QUALITY SYMBOLS ▽=0 ◻=0</p>	<p>GENERAL TOLERANCES (UNLESS SPECIFIED)</p>		<p>DIMENSION STYLE MM ONLY</p>		<p>SCALE 7/1</p>	<p>DESIGN UNITS METRIC</p>	<p>THIRD ANGLE PROJECTION</p>		
		<p>4 PLACES ± --- ± ---</p>	<p>3 PLACES ± --- ± ---</p>	<p>DRAWN BY IHYOU</p>	<p>DATE 2014/02/28</p>	<p>TITLE NANOSIM SOCKET 1.1H 6P,PUSH/PULL,WO-SW TYPE</p>				
		<p>2 PLACES ± 0.10 ± ---</p>	<p>1 PLACE ± 0.15 ± ---</p>	<p>CHECKED BY SHCHU</p>	<p>DATE 2014/02/28</p>	<p>APPROVED BY YSK1M02 2014/09/15</p>				
		<p>0 PLACE ± --- ± ---</p>	<p>ANGULAR ± 1 °</p>	<p>MATERIAL NO. SEE TABLE</p>		<p>DOCUMENT NO. SD-104224-001</p>		<p>SHEET NO. 1 OF 2</p>		
<p>DRAFT WHERE APPLICABLE MUST REMAIN WITHIN DIMENSIONS</p>		<p>SIZE A3</p>		<p>THIS DRAWING CONTAINS INFORMATION THAT IS PROPRIETARY TO MOLEX INCORPORATED AND SHOULD NOT BE USED WITHOUT WRITTEN PERMISSION</p>						

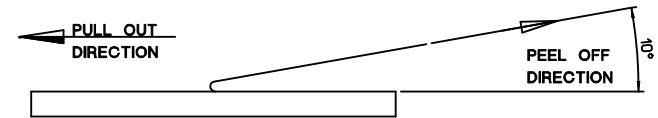


NOTES

- 1. QUANTITY OF CONNECTORS : 2,000PCS/REEL
- 2. LEAD LENGTH



- 3. PEELING OFF FORCE OF COVER TAPE : 0.1N~0.59N(10.2GF~60GF)
(PEELING DIRECTION AS SHOW IN FOLLOW FIG.)
- PEELING OFF SPEED : 300mm/Min.(Ref.)



NEW RELEASE EC NO: KOR2014-0104 DRWN: IHYOU CHKD: APPR: YSK1M02	2014/09/04 2014/09/15	DESCRIPTION REV	QUALITY SYMBOLS	GENERAL TOLERANCES (UNLESS SPECIFIED)	DIMENSION STYLE	SCALE	DESIGN UNITS	THIRD ANGLE PROJECTION
			▽=0	mm INCH	MM ONLY	3/1	METRIC	⊙ □
			∇=0	4 PLACES ± --- ± ---	DRAWN BY DATE	TITLE	NANOSIM SOCKET 1.1H 6P,PUSH/PULL,W0-SW TYPE	molex
				3 PLACES ± --- ± ---	CHECKED BY DATE			
	2 PLACES ± 0.10 ± ---	APPROVED BY DATE						
	1 PLACE ± 0.25 ± ---	MATERIAL NO. DOCUMENT NO.						
	0 PLACE ± --- ± ---	ANGULAR ± 1 °	ENTER PART		SD-104224-001		SHEET NO.	
DRAFT WHERE APPLICABLE MUST REMAIN WITHIN DIMENSIONS			SIZE A3		THIS DRAWING CONTAINS INFORMATION THAT IS PROPRIETARY TO MOLEX INCORPORATED AND SHOULD NOT BE USED WITHOUT WRITTEN PERMISSION			