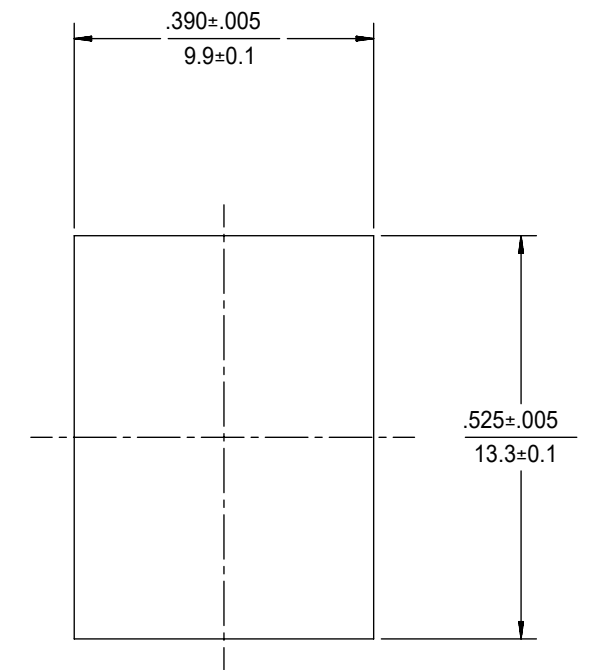
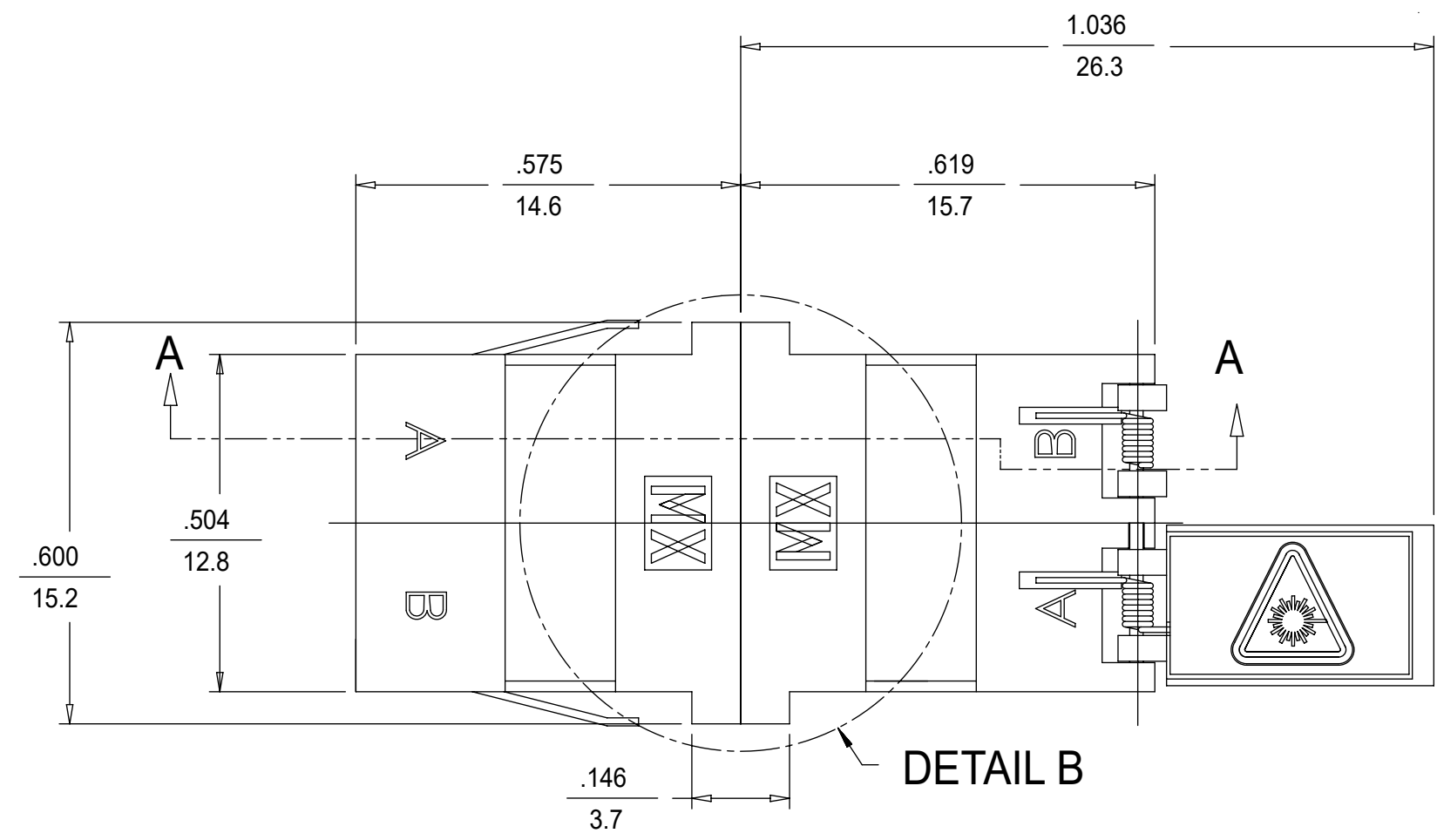
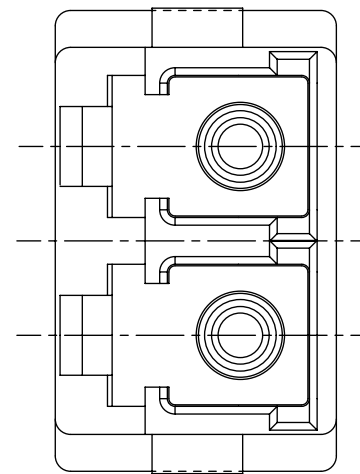
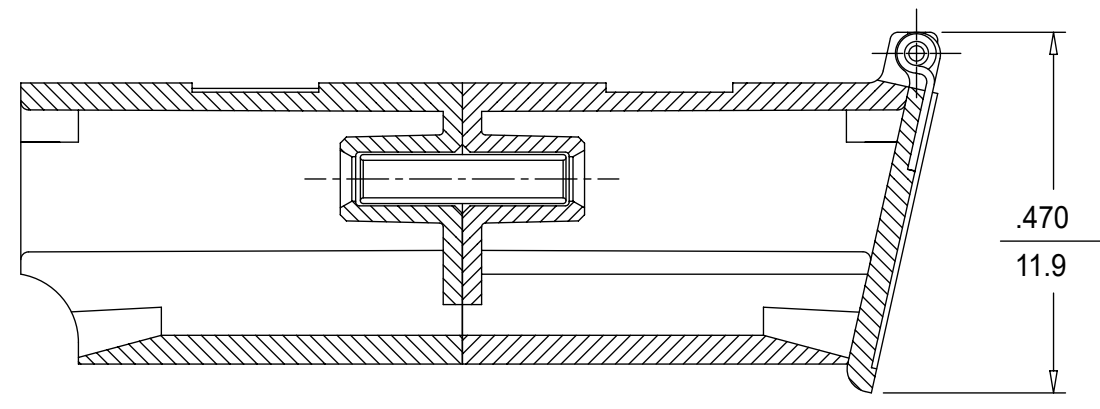


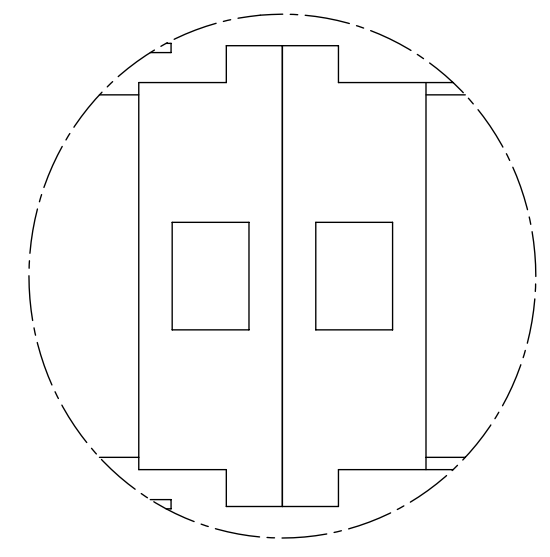
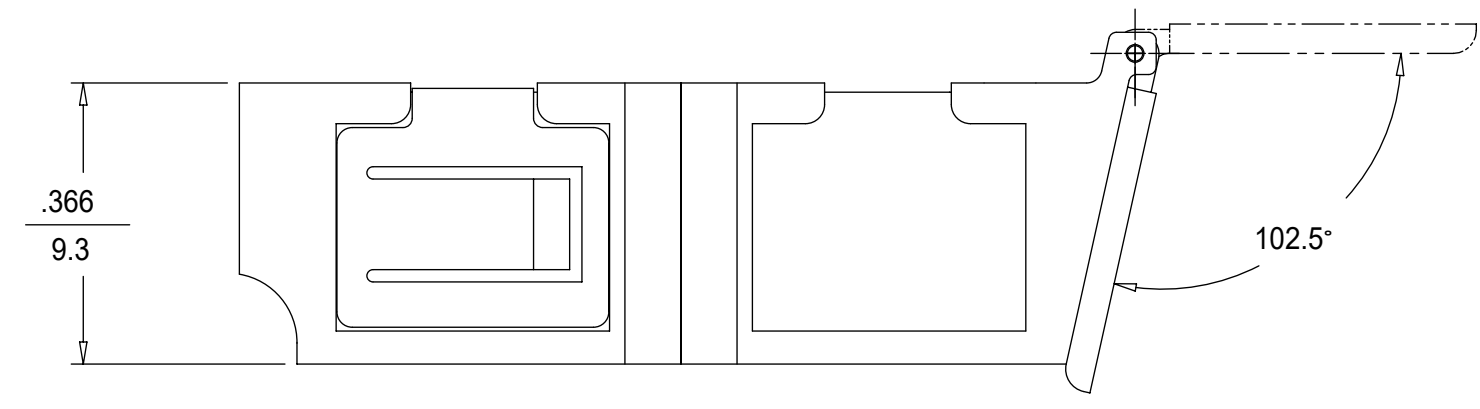
	12	11	10	9	8	7	6	5	4	3	2	1	
	LC ADAPTER P/N	COLOR	SPLIT SLEEVE MATERIAL	LOGO									
H	106127-1400	BLUE	ZR	MX									
	106127-1430*												
	106127-1420 (SEE NOTE 2)												
	106127-0410	BEIGE											
	106127-1450	GREEN											
106127-1480 (SEE NOTE 2)													
G	106127-1600	BLUE/METAL DOOR											
	106127-0610	BEIGE/METAL DOOR											
	106127-1650	GREEN/METAL DOOR											
F	106127-1410	BLACK		NONE									
	106127-9410*	AQUA											
	106127-9010**	GREEN											
	106198-2400	BLUE											
	106127-9020**	BEIGE											
	106198-2410												
	106127-9000**	AQUA/METAL DOOR			MX								
E	106127-1610	AQUA		NONE									
D													
C													
B													
A													



RECOMMENDED MOUNTING CUTOUT FOR .063 MAX. THICK PANEL



SECTION A-A



DETAIL B (NO LOGO VERSION)

NOTES:

- DUST CAPS ARE NOT SHOWN, BUT INCLUDED.
- FOR P/NS 106127-1420 AND 106127-1480 LASER WARNING LABEL IS SUPPLIED UNATTACHED AND SHALL BE INSTALLED BY CUSTOMER.
- P/NS 106127-9410, 106127-1950 AND 106127-1430 ARE BULK PACKED IN QUANTITIES OF 100pcs.
- P/NS 106127-9000, 106127-9010 AND 106127-9020 ARE FIRST INDIVIDUALLY PACKED IN CLEAR NON-MARKED BAGS AND THEN BULK PACKED IN QUANTITIES OF 100pcs.

FUNCTIONAL SYMBOLS	THIS DRAWING CONTAINS INFORMATION THAT IS PROPRIETARY TO MOLEX ELECTRONIC TECHNOLOGIES, LLC AND SHOULD NOT BE USED WITHOUT WRITTEN PERMISSION										
	$\frac{F}{A} = 0$ $\frac{F}{C} = 0$ $\frac{F}{P} = 0$	DIMENSION UNITS	SCALE	CURRENT REV DESC:							
INCH/MM	1:1	EC NO: 652962 DRWN: SKRISHNAMU01 2021/05/31 CHK'D: WCHEN 2021/08/24 APPR: WCHEN 2021/08/24									
DIVISIONAL SYMBOLS	GENERAL TOLERANCES (UNLESS SPECIFIED)		PRODUCT CUSTOMER DRAWING								
	ANGULAR TOL ± 0.5°		DOCUMENT NUMBER								
	4 PLACES ±	INITIAL REVISION:		DOC TYPE		DOC PART		REVISION			
	3 PLACES ±	DRWN: PGIBLIN 2005/10/25		PSD		001		E			
	2 PLACES ±	APPR: IGUMIN 2005/10/26		SERIES		MATERIAL NUMBER		CUSTOMER			
1 PLACE ±	DRAFT WHERE APPLICABLE MUST REMAIN WITHIN DIMENSIONS		C-SIZE		106127		SEE TABLE		GENERAL MARKET		
0 PLACES ±	THIRD ANGLE PROJECTION		DRAWING		SHEET NUMBER		1 OF 1				