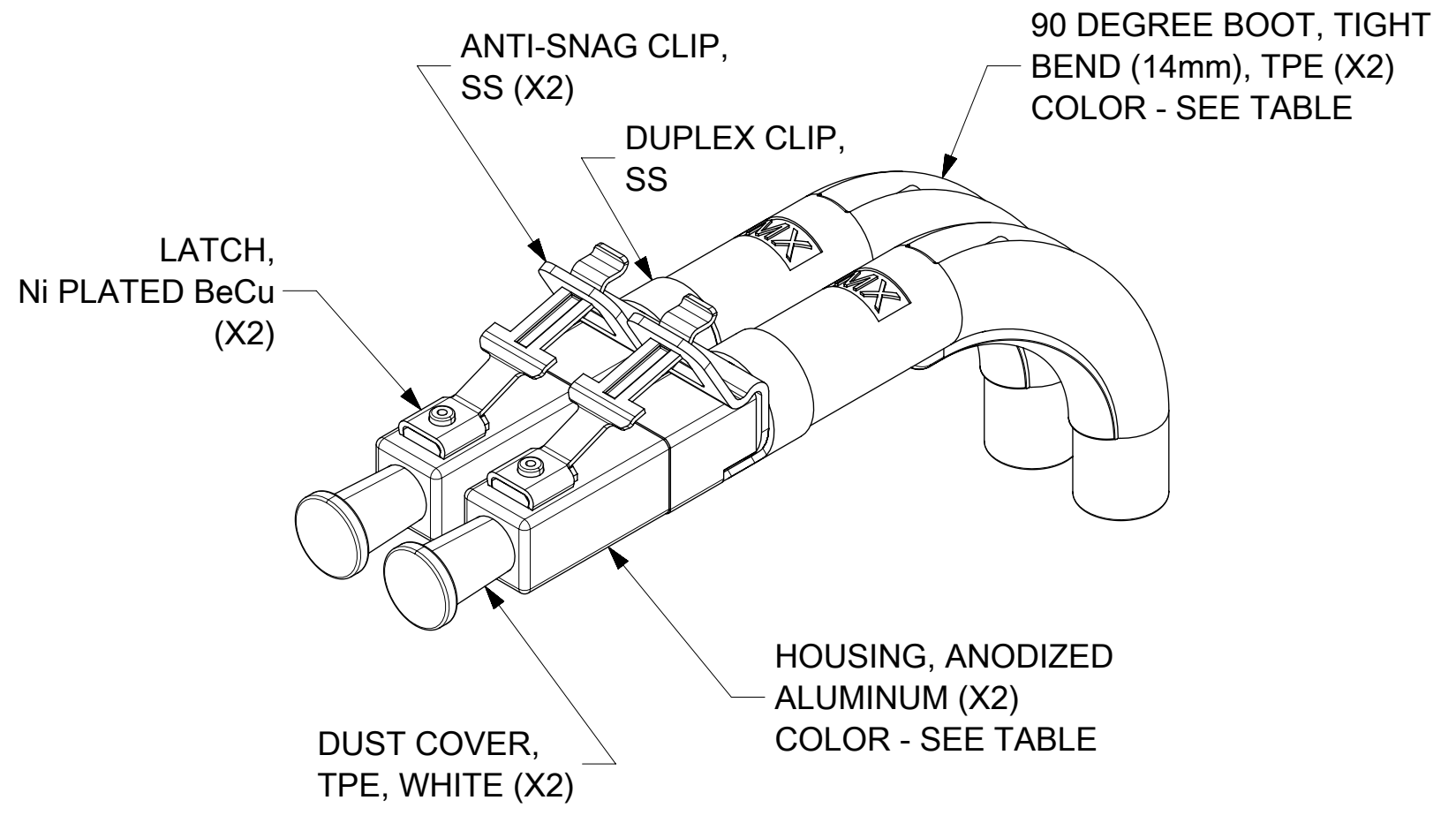
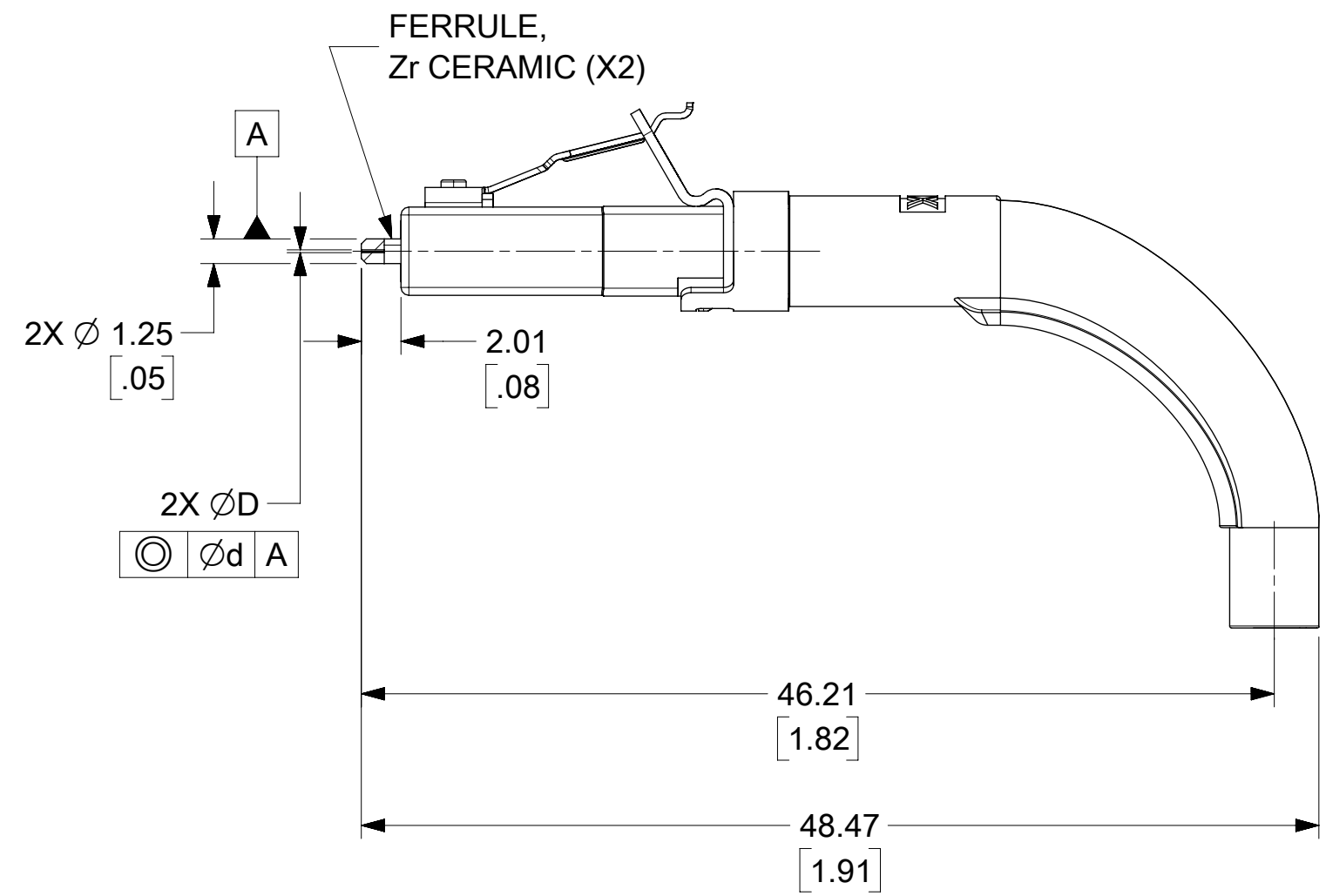
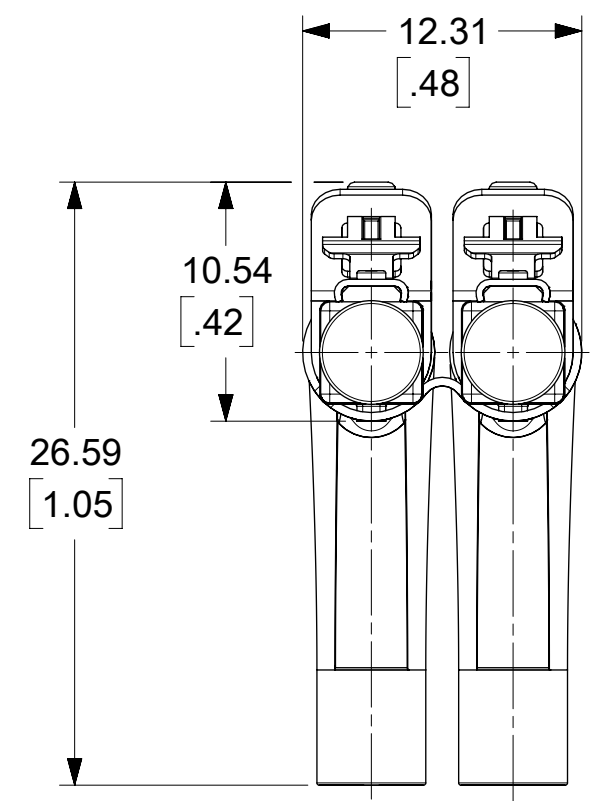
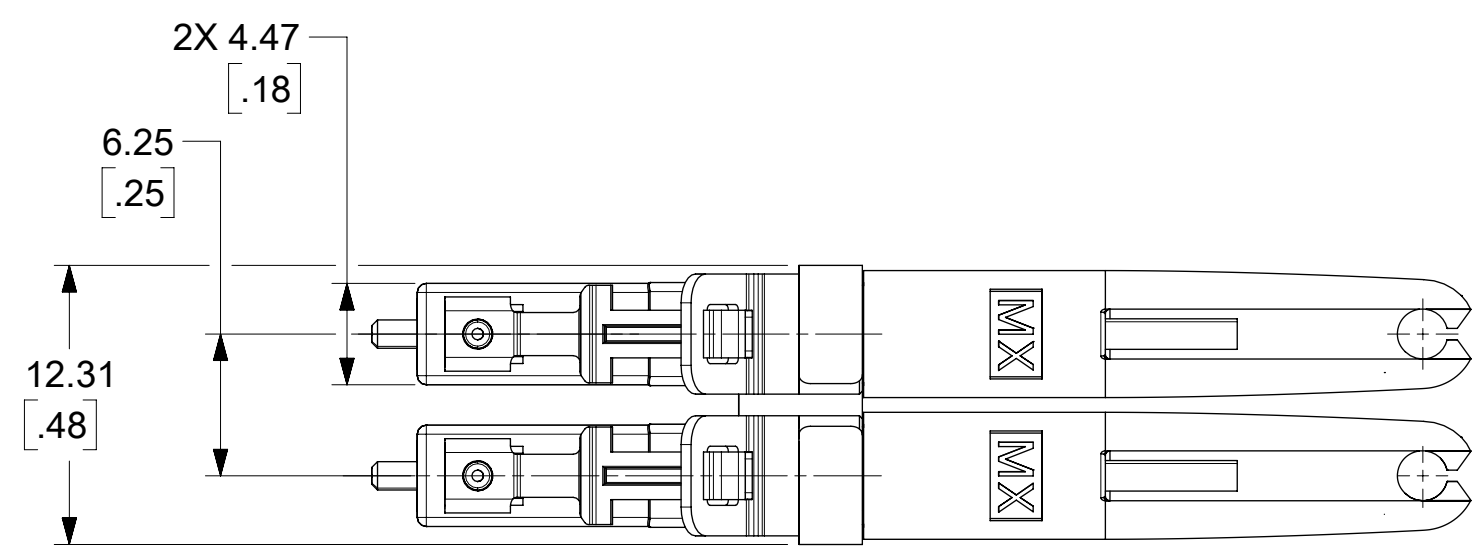


CONNECTOR P/N	∅D (μm)	∅d (μm)	CONNECTOR TYPE	HOUSING COLOR	BOOT COLOR	CABLE DIA. (mm)
1063971662	125.5 +0.5/-0	0.5	Single Mode	Blue	Blue	2.0
1063971664	126.0 +1.0/-0	1.0				2.0
1063971862	127.0 +3.0/-0	3.0	Multimode	Gold	White	2.0



- NOTES:
1. INTERFACE DIMENSIONS COMPLY TO IEC 61754-20 TYPE LC CONNECTOR FAMILY.
 2. FOR TERMINATION PROCEDURE USE STANDARD LC TERMINATION PROCEDURE. (RECOMMENDED CRIMP TOOL P/N 867445000)
 3. CONNECTOR IS SOLD AS A KIT. CUSTOMER IS RESPONSIBLE TO PERFORM THEIR OWN TEST TO VERIFY THEIR TERMINATION PROCESS AS A FINISHED PRODUCT.

FUNCTIONAL SYMBOLS $\overline{A} = 0$ $\overline{C} = 0$ $\overline{P} = 0$ DIVISIONAL SYMBOLS 4 PLACES ± 3 PLACES ± 2 PLACES ± 1 PLACE ± 0 PLACES ±	THIS DRAWING CONTAINS INFORMATION THAT IS PROPRIETARY TO MOLEX ELECTRONIC TECHNOLOGIES, LLC AND SHOULD NOT BE USED WITHOUT WRITTEN PERMISSION		CURRENT REV DESC: REMOVED OBSOLETE PART NUMBERS AS PER PCN#510808.		
	DIMENSION UNITS	SCALE	EC NO: 736640		
	MM/INCH	3:1	DRWN: SUGEEB	2023/01/23	
	GENERAL TOLERANCES (UNLESS SPECIFIED)		CHK'D: GGA	2023/02/16	
ANGULAR TOL ± 0.5°		APPR: GGA	2023/02/16	PRODUCT CUSTOMER DRAWING	
DRAFT WHERE APPLICABLE MUST REMAIN WITHIN DIMENSIONS		THIRD ANGLE PROJECTION	DRAWING	SERIES	DOCUMENT NUMBER
			C-SIZE	106397	SD-106397-2287
					DOC TYPE
					PSD
					DOC PART
					001
					REVISION
					B2
					SHEET NUMBER
					1 OF 1