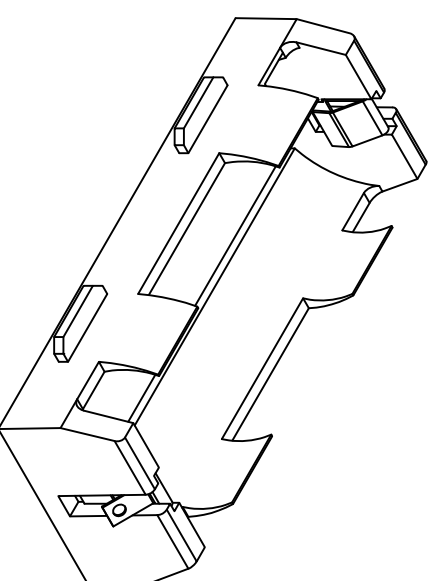
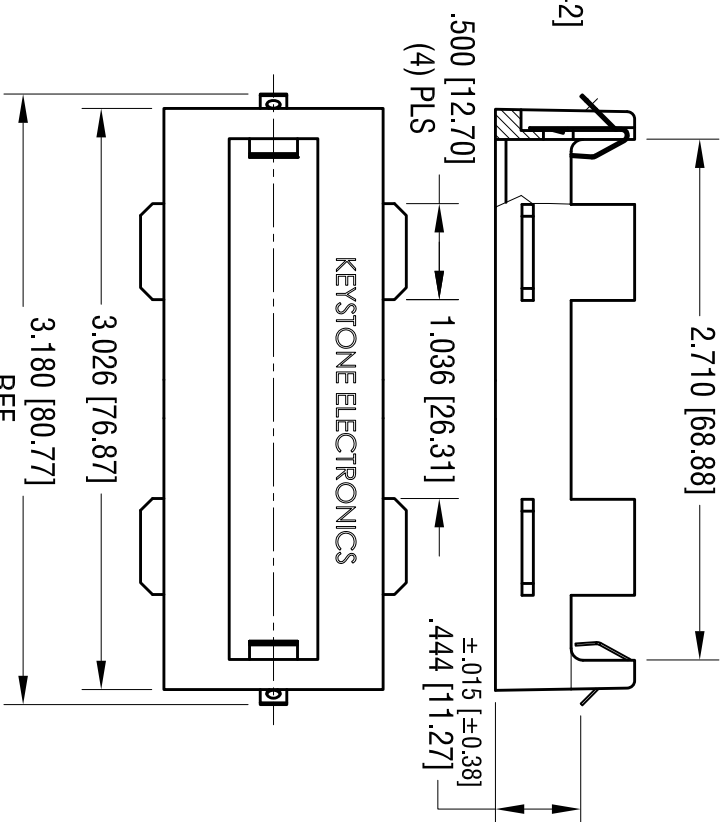
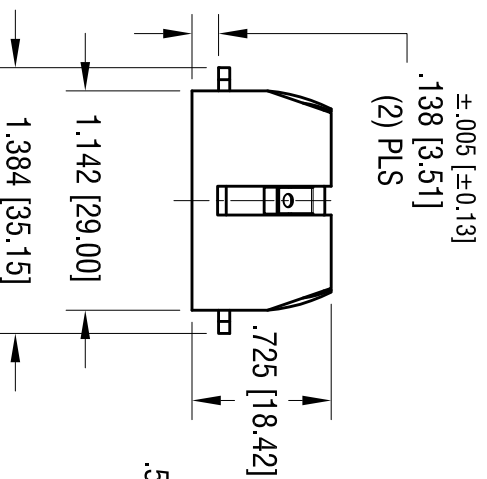
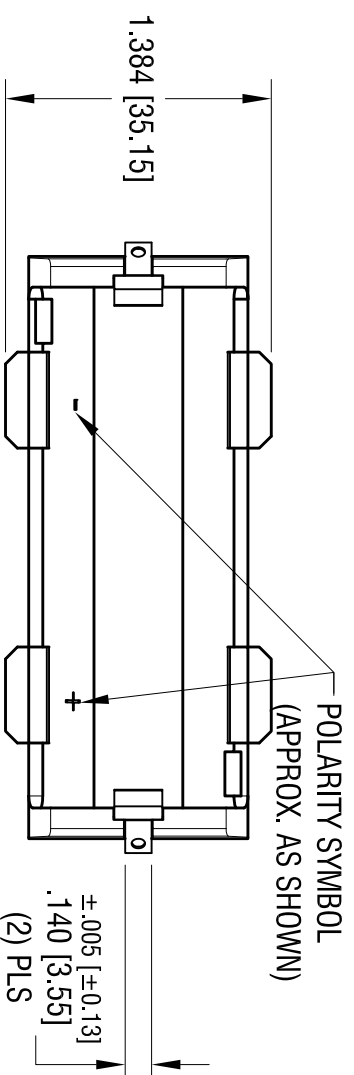


DATE	DESCRIPTION	REV.
1.19.15	CHANGE AS PER ECN 15-013	A
9.16.15	CHANGE AS PER ECN 15-098	B



- NOTE:
1. BASE:
MATEL: PBT (BLACK COLOR)
 2. CONTACT:
MATEL: .012 THK STAINLESS STEEL
FINISH: TIN NICKEL PLATE

THIS DOCUMENT IS THE PROPERTY OF KEYSTONE ELECTRONICS CORP. AND SHALL NOT BE REPRODUCED, DISTRIBUTED OR USED AS A BASIS FOR MANUFACTURE WITHOUT PRIOR WRITTEN PERMISSION FROM KEYSTONE ELECTRONICS CORP.

KEYSTONE ELECTRONICS CORP.			
www.keystec.com • ASTORIA, N.Y. 11105-2017 • Tel (718) 956-8900			
PART NAME SOLDER TAIL BATTERY HOLDER, 26650			
MATERIAL AS NOTED			
FINISH AS NOTED	DRN BY NT	DATE 11.07.14	
TOLERANCES DECIMAL ± .010 [± 0.25] ANGULAR ± 1°	CODE C	DWG NO. 1107	App'D RH
		SCALE 1X	