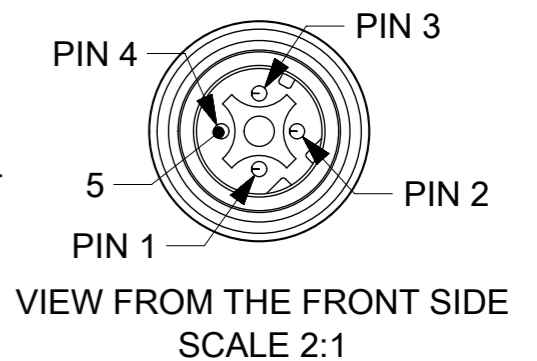
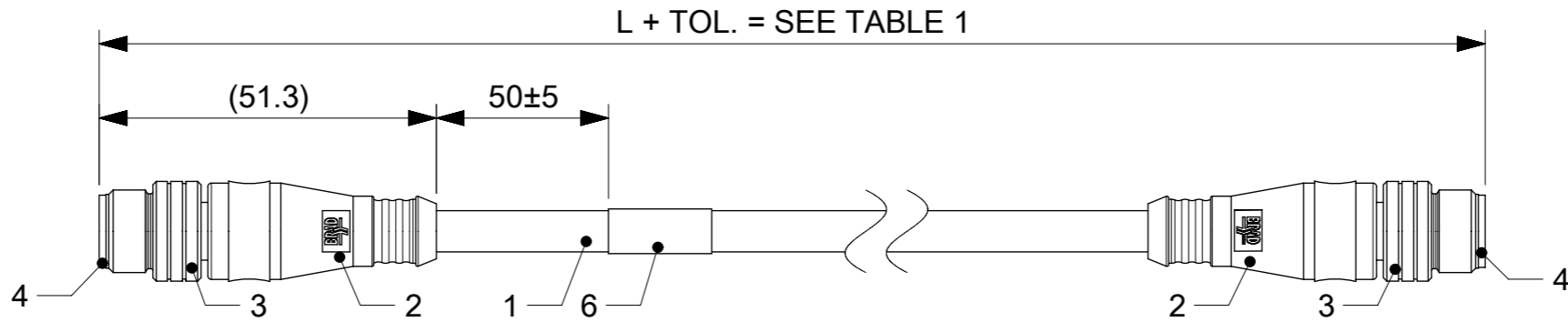
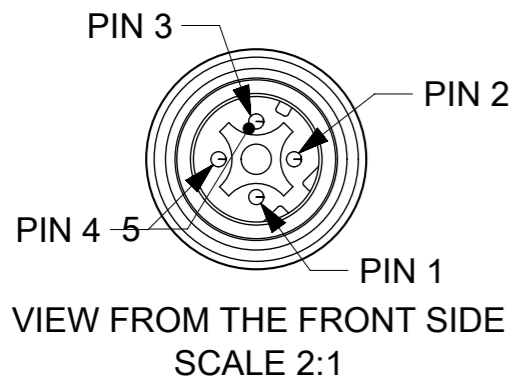
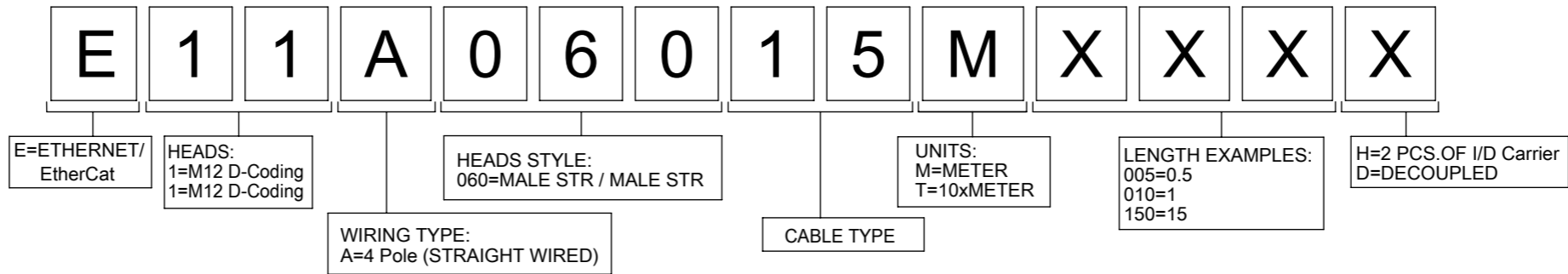


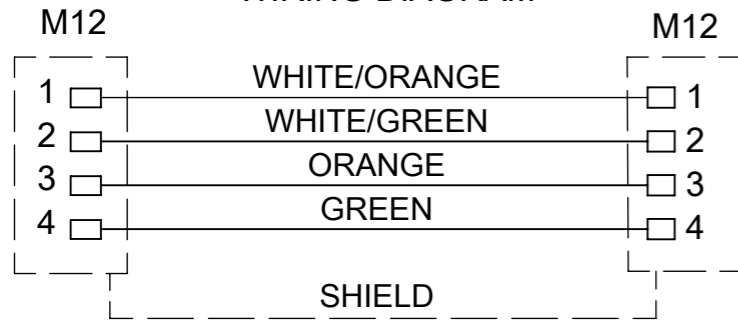
CABLE SPECIFICATION

CONDUCTOR:
 MATERIAL: TINED COPPER
 SECTION: 26AWG
 INSULATION:
 COMPOUND: POLYOLEFIN
 JACKET:
 COMPOUND: PVC
 COLOR: TEAL
 NOM. DIAMETER: 5.99mm
 TEMPERATURE RATING:
 -20°C TO +75°C
 VOLTAGE RATING MAX: 300V RMS
 DIELECTRIC WITHSTANDING MIN: 1500V RMS

PART No MATRIX



WIRING DIAGRAM



OVER	UP TO AND INCLUDING	TOLERANCE (+)
0	305	+19
305	915	+45
915	1830	+56
1830	3660	+89
3660	7320	+165
7320	14640	+317
14640	30500	+610
30500	>	+2% OF LENGTH

BILL OF MATERIALS

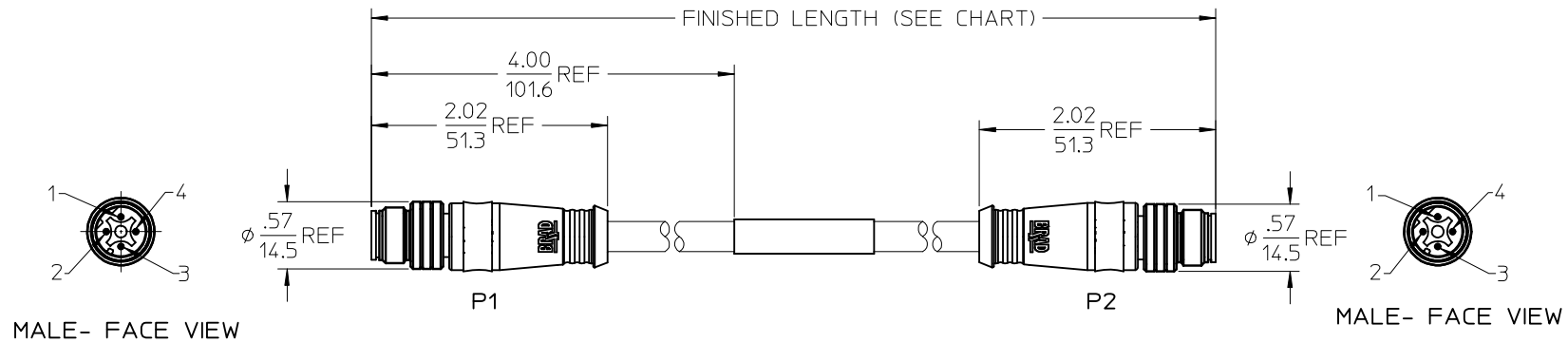
ITEM	QTY.	DESCRIPTION	MATERIAL	FINISH
6	1	LABEL WH	-	-
5	8	CONTACT MA	COPPER ALLOY	GOLD OVER NICKEL
4	2	INSERT MA 4P DC BK	PUR	-
3	2	COUPLING NUT	BRASS	NICKEL
2	-	MOULDING MATERIAL BK	TBU	-
1	-	CABLE 4x26AWG CAT5E TEAL	PVC	-

TABLE 1

MOLEX PN	ENGINEERING No	L [mm]	MOLEX PN	ENGINEERING No	L [mm]	MOLEX PN	ENGINEERING No	L [mm]
1300480009	E11A06015M030	3000	1300488109	E11A06015M800	80000	1300488165	E11A06015M420	42000
1300480010	E11A06015M200	20000	1300488113	E11A06015M350	35000	1300488166	E11A06015M450	45000
1300480011	E11A06015M400	40000	1300488125	E11A06015M110	11000	1300488167	E11A06015M460	46000
1300480122	E11A06015M010	1000	1300488126	E11A06015M120	12000	1300488168	E11A06015M540	54000
1300480123	E11A06015M010D	1000	1300488127	E11A06015M140	14000	1300488169	E11A06015M550	55000
1300480124	E11A06015M020	2000	1300488128	E11A06015M060	6000	1300488170	E11A06015M570	57000
1300480125	E11A06015M020D	2000	1300488145	E11A06015M070	7000	1300488171	E11A06015M610	61000
1300480126	E11A06015M050	5000	1300488146	E11A06015M080	8000	1300488172	E11A06015M650	65000
1300480128	E11A06015M100	10000	1300488147	E11A06015M090	9000	1300488173	E11A06015M700	70000
1300480130	E11A06015M150	15000	1300488148	E11A06015M130	13000	1300488174	E11A06015M750	75000
1300480132	E11A06015M300	30000	1300488159	E11A06015M005	500	1300488175	E11A06015M850	85000
1300480303	E11A06015M500	50000	1300488160	E11A06015M180	18000	1300488176	E11A06015M900	90000
1300480304	E11A06015M680	68000	1300488161	E11A06015M230	23000	1300488177	E11A06015M950	95000
1300488007	E11A06015M250	25000	1300488162	E11A06015M270	27000			
1300488012	E11A06015M400	4000	1300488163	E11A06015M340	34000			
1300488108	E11A06015M600	60000	1300488164	E11A06015M380	38000			

THIS DRAWING CONTAINS INFORMATION THAT IS PROPRIETARY TO MOLEX ELECTRONIC TECHNOLOGIES, LLC AND SHOULD NOT BE USED WITHOUT WRITTEN PERMISSION

EC NO: 118675 DRWN: DSTACHOWIAK CHK'D: APPR: MIWASIECZKO	2017/06/26	2017/06/28	GENERAL TOLERANCES (UNLESS SPECIFIED)	DIMENSION UNITS: MM	SCALE: 2:1			
	ANGULAR TOL ±		4 PLACES ±	DRWN BY: DSTACHOWIAK	DATE: 2017/06/26		CSE M12 ETH 4P DC MA MA STR PVC XM DE	
	3 PLACES ±		2 PLACES ±	CHK'D BY:	DATE:			
	1 PLACE ±		0 PLACES ±	APPR BY: MIWASIECZKO	DATE: 2017/06/28		PRODUCT CUSTOMER DRAWING	
DRAFT WHERE APPLICABLE MUST REMAIN WITHIN DIMENSIONS			DRAWING SIZE: A3	THIRD ANGLE PROJECTION	SERIES: 130048	MATERIAL NUMBER: SEE TABLE 1	CUSTOMER: GENERAL MARKET	
					DOCUMENT NUMBER: 1300488146	DOC TYPE: PSD	DOC PART: 000	SHEET NUMBER: 1 OF 1

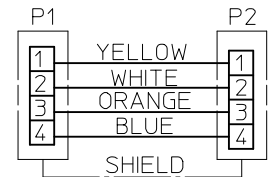


ADDITIONAL CABLE PARAMETERS

PHYSICAL CHARACTERISTICS:	
CONDUCTOR PAIR SIZE	#22 (7 X #30) BARE COPPER ALLOY
WIRE CROSS SECTION	0.34mm ² (NOM)
INSULATION TYPE	POLYOLEFIN INSULATION
FOIL SHIELD	PLASTIC/ALUMINIUM FOIL WITH FOIL OUT
BRAID SHIELD	TINNED COPPER BRAID WITH MIN. 85% COVERAGE
OUTSIDE DIAMETER	Ø 6.7mm (.264")
JACKET INSULATION	GREEN PUR
PROFINET CABLE STYLE	TYPE C

ENVIRONMENTAL CHARACTERISTICS:	
FLAME RESISTANCE	FT1 APPROVED
AGENCY CERTIFICATIONS	UL AND CSA
OPERATION TEMPERATURE	-20°C TO 60°C
STORAGE TEMPERATURE	-40°C TO 80°C
HALOGEN FREE	IEC 60754-1
SILICONE FREE	YES
CFC-FREE	YES

MECHANICAL CHARACTERISTICS FOR C-TRACK APPLICATIONS:	
MIN. BENDING RADIUS	15x CABLE DIAMETER
OPERATING WAY	5M OF TRAVEL
SPEED	200M/Min.
MAX. C-TRACK CYCLES	5 MILLION
ACCELERATION	MAX. 2m/s
WELD SLAG RESISTANCE	NO TEST RESULTS AVAILABLE



WIRING DIAGRAM

NOTES:

- 1) MATERIAL: SEE TABLE
- 2) FINISHES: SEE TABLE
- 3) CABLE: #22/4 SHIELDED PUR
- 4) ELECTRICAL DATA:
ACCORDING TO CAT5e ETHERNET STANDARD
MAX. VOLTAGE: 30V
MAX. CURRENT 1.5A
- 5) ENVIRONMENTAL:
PROTECTION IP67
TEMPERATURE RANGE: -20°C TO 60°C
- 6) WRAP LABEL IS MARKED WITH P/N, DATE CODE, VOLTAGE & AMPERAGE.
- 7) ASSEMBLY IS RoHS COMPLIANT.

IMPRINT: X N X 2x2xAWG22/7-9H(ST)C11Y INDUSTRIAL ETHERNET
PROFINET TYP C E48408 cULus AWM STYLE 20236
AWM I/II A/B 80°C 30 V FT1

QTY.	DESCRIPTION	MATERIAL	FINISH
1	LABEL	PLASTIC FILM	BLACK/YELLOW
2	INSERT	PUR	BLACK
8	PIN CONTACT	COPPER ALLOY	GOLD PLATED
2	M12 COUPLING NUT	BRASS	NICKEL
2	OVERMOLD	PUR	BLACK
1	ETHERNET CABLE-CAT5E	PUR JACKET	GREEN

UPDATED PART NUMBERS	EC NO.: IPG2016-0189
	DRWNG:GGUSTAFSON 2015/08/03
	CHKD:BRUPERT 2015/10/02
	APPR:BMOODMAN 2015/08/14
REV	DESCRIPTION

QUALITY SYMBOLS	▽=0
	▽=0

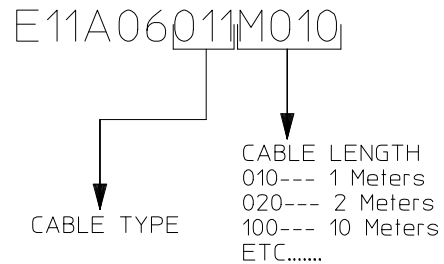
GENERAL TOLERANCES (UNLESS SPECIFIED)		
	mm	INCH
4 PLACES	± .---	± .---
3 PLACES	± .---	± .005
2 PLACES	± 0.13	± .010
1 PLACE	± 0.25	± .020
ANGULAR ±1/2°		

DRAFT WHERE APPLICABLE
MUST REMAIN WITHIN DIMENSIONS

DIMENSION STYLE	
IN/MM	
DRAWN BY	DATE
BRUPERT	2011/11/23
CHECKED BY	DATE
APPROVED BY	DATE
JFMURPHY	2012/04/17
MATERIAL NO.	
SIZE	B

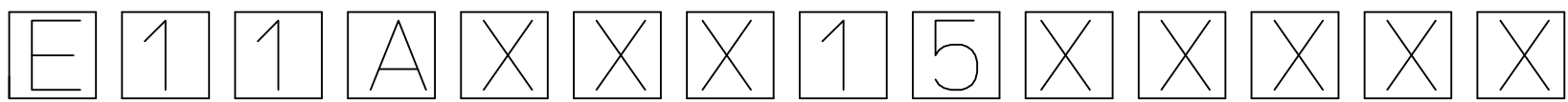
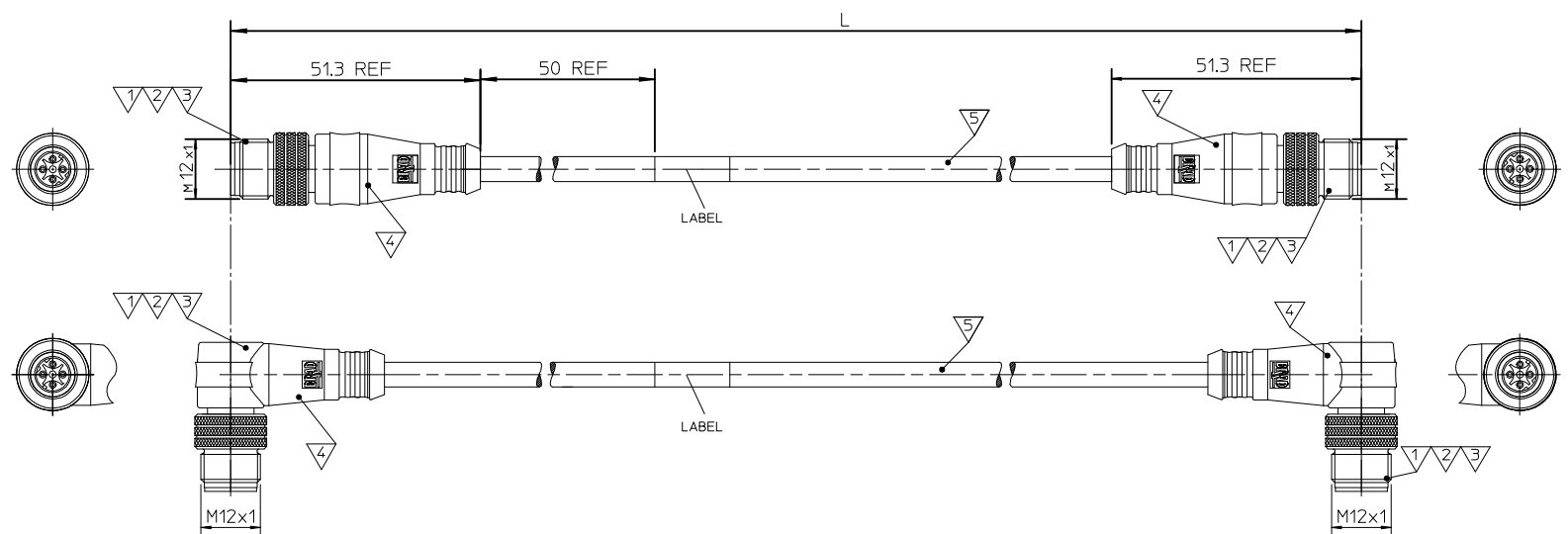
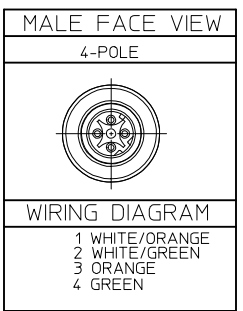
SCALE	DESIGN UNITS	THIRD ANGLE PROJECTION
1:1	INCH	☉
MIC 4P M/MP ST/ST D-CODE		
MOLEX INCORPORATED		
DOCUMENT NO.	SD-120108-041	SHEET NO.
		1 OF 2

MATERIAL NO.	ENGINEERING NO.
1201080236	E11A06011M010
1201080199	E11A06011M020
1201080237	E11A06011M030
1201080213	E11A06011M040
1201080238	E11A06011M050
1201080239	E11A06011M060
1201080240	E11A06011M070
1201080241	E11A06011M080
1201080242	E11A06011M090
1201080243	E11A06011M100
1201080244	E11A06011M120
1201080245	E11A06011M140
1201080246	E11A06011M150
1201080247	E11A06011M180
1201080248	E11A06011M200
1201080249	E11A06011M240
1201088256	E11A06011M250
1201080250	E11A06011M300
1201088257	E11A06011M350
1201080281	E11A06011M400
1201080251	E11A06011M500
1201080282	E11A06011M600
1201080283	E11A06011M700
1201080287	E11A06011M750
1201080284	E11A06011M800
1201080288	E11A06011M900
1201088201	E11A06011T100



UPDATED PART NUMBERS EC NO: IFC2016-0189 TDRWNG:GUSTAFSON 2015/08/03 CHKD:BRUPERT 2015/10/02 APPR:BMOODMAN 2015/08/14	DESCRIPTION REV	QUALITY SYMBOLS ▽=0 ▽=0	GENERAL TOLERANCES (UNLESS SPECIFIED)		DIMENSION STYLE IN/MM		SCALE 1:1	DESIGN UNITS INCH	THIRD ANGLE PROJECTION	
		4 PLACES ± --- ± --- 3 PLACES ± --- ± .005 2 PLACES ± 0.13 ± .010 1 PLACE ± 0.25 ± .020 0 PLACE ± --- ± ---	mm INCH	DRAWN BY DATE BRUPERT 2011/11/23	TITLE MIC 4P M/MP ST/ST D-CODE					
		ANGULAR ±1/2°	APPROVED BY DATE JFMURPHY 2012/04/17	MATERIAL NO.						
		DRAFT WHERE APPLICABLE MUST REMAIN WITHIN DIMENSIONS	SEE CHART	DOCUMENT NO. SD-120108-041	SHEET NO. 2 OF 2					

THIS DRAWING CONTAINS INFORMATION THAT IS PROPRIETARY TO MOLEX INCORPORATED AND SHOULD NOT BE USED WITHOUT WRITTEN PERMISSION



Networ Protocol
E-Ethernet

First and Second Connector
1=M12 Threaded 4 Pole D-code

Wiring Scheme
A=4 Pole

HEAD TYPE
060 Plugs male and male straight
063 Plugs male 90° and male 90°

Cable type
26AWG
7/34 STRANDED TINNED COPPER
PVC, TEAL

LENGTH UNIT
C-cm
M-m
K-km
F-feet

LENGTH
Example:
020 - 2M
060 - 6M
100 - 10M

OPTIONS
D- Decoupled (for Shielded version only)

Over	Up to and including	Tolerance (+)
0	305	+19
305	915	+45
915	1830	+56
1830	3660	+89
3660	7320	+165
7320	14640	+317
14640	30500	+610
30500	>	2 % of length

CONNECTOR SPECIFICATION:

VOLTAGE RATING	max 30V
AMPERAGE RATING	1.5 A
PROTECTION	IP67
OPERATING TEMPERATURE	-20°C TO 75°C

ITEM	PART	MATERIAL	FINISH
5	CABLE	1302100082	---
4	OVERMOULDING	TPU UF NATURAL C98A10	---
4	OVERMOULDING	MASTERBATCH COLORANT	---
3	COUPLING NUT	SEE SPECIAL TYPES	---
2	PIN CONTACT	COPPER ALLOY	GOLD OR NICKEL PLATED
1	INSERT	PUR	BLACK
ITEM	PART	MATERIAL	FINISH

PN ADDED EC NO: IPG2014-1381 DRWINDSTACHOWIAK 2014/02/03 CHKD: JMARSZALEK 2014/02/03 APPR: MIWASIECZKO 2014/02/04	QUALITY SYMBOLS ▽=0 ◻=0	GENERAL TOLERANCES (UNLESS SPECIFIED) mm INCH 4 PLACES ± --- ± --- 3 PLACES ± --- ± --- 2 PLACES ± --- ± --- 1 PLACE ± --- ± --- 0 PLACE ± --- ± --- ANGULAR ± --- °	DIMENSION STYLE MM ONLY DRAWN BY: MDYSZEWSKA DATE: 2012/11/24 CHECKED BY: HWALCZAK DATE: 2012/11/24 APPROVED BY: MIWASIECZKO DATE: 2013/01/21	SCALE: --- DESIGN UNITS: METRIC FIRST ANGLE PROJECTION	TITLE: CSE ETH ETH 4P DC PVC XM DE SHLD NI molex DOCUMENT NO.: SD-130048-006 SHEET NO.: 1 OF 2
	DRAFT WHERE APPLICABLE MUST REMAIN WITHIN DIMENSIONS	MATERIAL NO.: SEE PAGE 2 SIZE: A3	THIS DRAWING CONTAINS INFORMATION THAT IS PROPRIETARY TO MOLEX INCORPORATED AND SHOULD NOT BE USED WITHOUT WRITTEN PERMISSION		
	REV: B1				

SEE CHART 1

1300480009	E11A06015M030
1300480010	E11A06015M200
1300480011	E11A06015M400
1300480122	E11A06015M010
1300480124	E11A06015M020
1300480126	E11A06015M050
1300480128	E11A06015M100
1300480130	E11A06015M150
1300480132	E11A06015M300
1300480303	E11A06015M500
1300480304	E11A06015M680
1300488007	E11A06015M250
1300488012	E11A06015M040
1300488108	E11A06015M600
1300488109	E11A06015M800
1300480177	E11A06315M006
1300480179	E11A06315M010
1300480181	E11A06315M020
1300480183	E11A06315M050
1300480185	E11A06315M100
1300488073	E11A06315M030

PN ADDED EC NO: IPG2014-1381 DRWINGDSTACHOWIAK 2014/02/03 CHKD: JMARSZALEK 2014/02/03 APPR: MIWASIECZKO 2014/02/04	QUALITY SYMBOLS =0 =0	GENERAL TOLERANCES (UNLESS SPECIFIED)		DIMENSION STYLE MM ONLY		SCALE ---	DESIGN UNITS METRIC	FIRST ANGLE PROJECTION		
			mm INCH	DRAWN BY DATE MDYSZEWSKA 2012/11/24	TITLE CSE ETH ETH 4P DC PVC XM DE SHLD NI					
			4 PLACES ± --- ± --- 3 PLACES ± --- ± --- 2 PLACES ± --- ± --- 1 PLACE ± --- ± --- 0 PLACE ± --- ± ---	CHECKED BY DATE HWALCZAK 2012/11/24						
			ANGULAR ± --- °	APPROVED BY DATE MIWASIECZKO 2013/01/21						
B1	REV	DRAFT WHERE APPLICABLE MUST REMAIN WITHIN DIMENSIONS		SIZE A3	THIS DRAWING CONTAINS INFORMATION THAT IS PROPRIETARY TO MOLEX INCORPORATED AND SHOULD NOT BE USED WITHOUT WRITTEN PERMISSION					