

Crimp contact - SF-10KS330 - 1607358

Please be informed that the data shown in this PDF Document is generated from our Online Catalog. Please find the complete data in the user's documentation. Our General Terms of Use for Downloads are valid (<http://phoenixcontact.com/download>)




Crimp contact, rolled, Taped articles, number of pieces per reel: 10000, contact diameter: 1 mm, crimp range: 0.06 mm² ... 0.25 mm²

Your advantages

- Crimping connection: vibration- and temperature-resistant assembly
- High tensile strength of the connection
- Low contact resistance
- Easy production monitoring
- Variable production run startup, thanks to full or semi-automation

Key Commercial Data

Packing unit	1 pc
GTIN	 4 046356 439565
GTIN	4046356439565

Technical data

General

Contact type	rolled
Contact diameter	1 mm
Type of contact	Socket
Connection method	Crimp connection
Insertion/withdrawal cycles mechanical	500
Litz wire cross section min.	0.06 mm ²
Litz wire cross section max.	0.25 mm ²
Contact material	Copper alloy
Contact surface	Nickel-plated (Ni), with gold coating (Au)

Environmental Product Compliance

China RoHS	Environmentally Friendly Use Period = 50
------------	--

Crimp contact - SF-10KS330 - 1607358

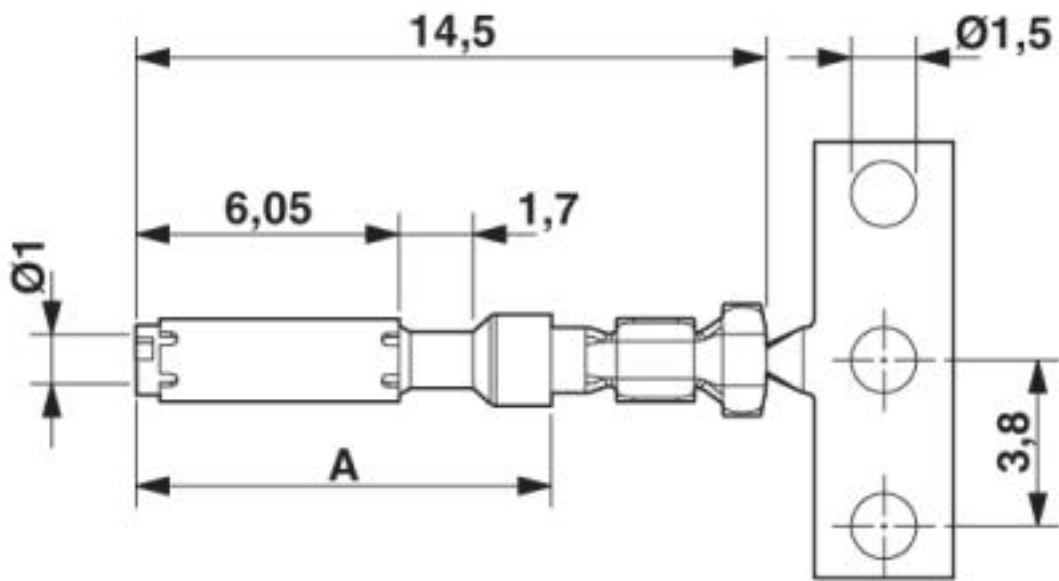
Technical data

Environmental Product Compliance

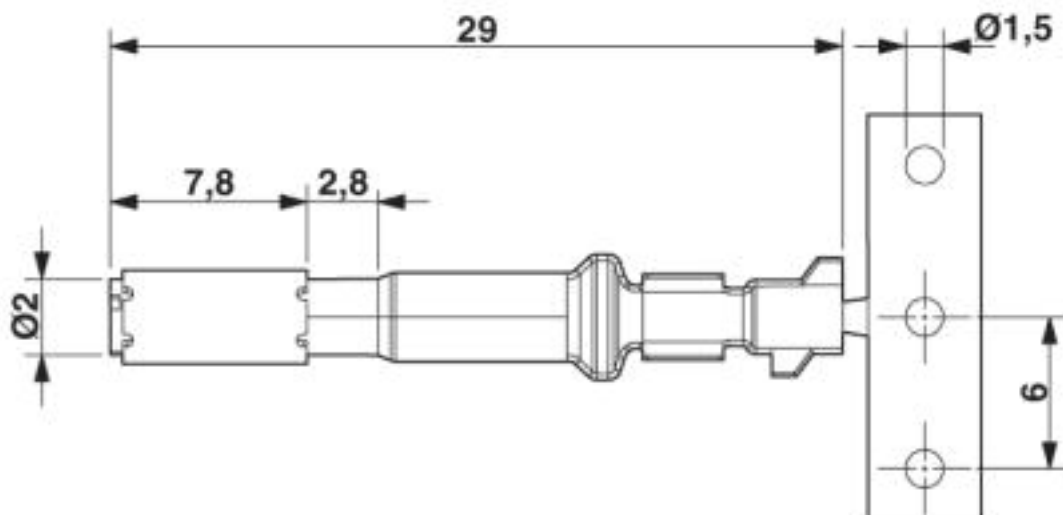
	For details about hazardous substances go to tab "Downloads", Category "Manufacturer's declaration"
--	---

Drawings

Dimensional drawing



Dimensional drawing



Phoenix Contact 2019 © - all rights reserved
<http://www.phoenixcontact.com>

PHOENIX CONTACT GmbH & Co. KG
Flachmarktstr. 8
32825 Blomberg
Germany
Tel. +49 5235 300
Fax +49 5235 3 41200
<http://www.phoenixcontact.com>