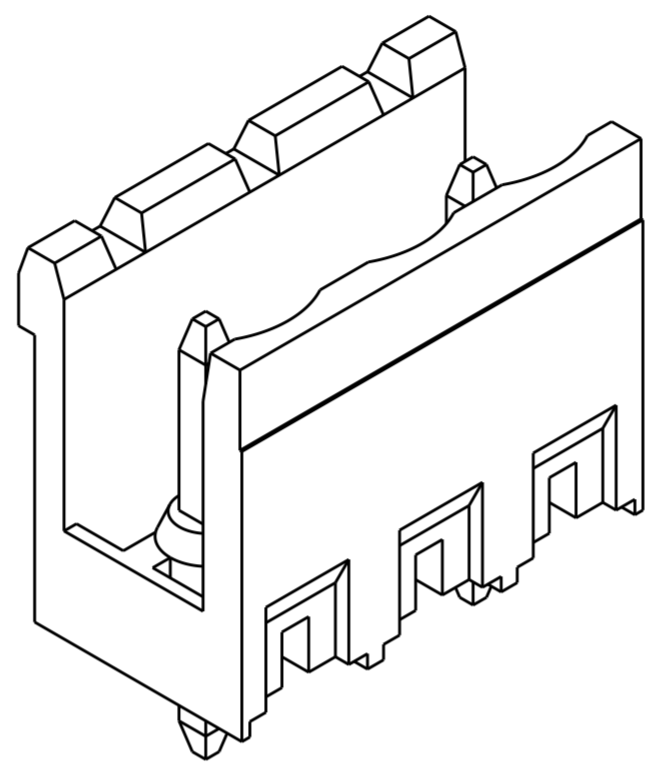
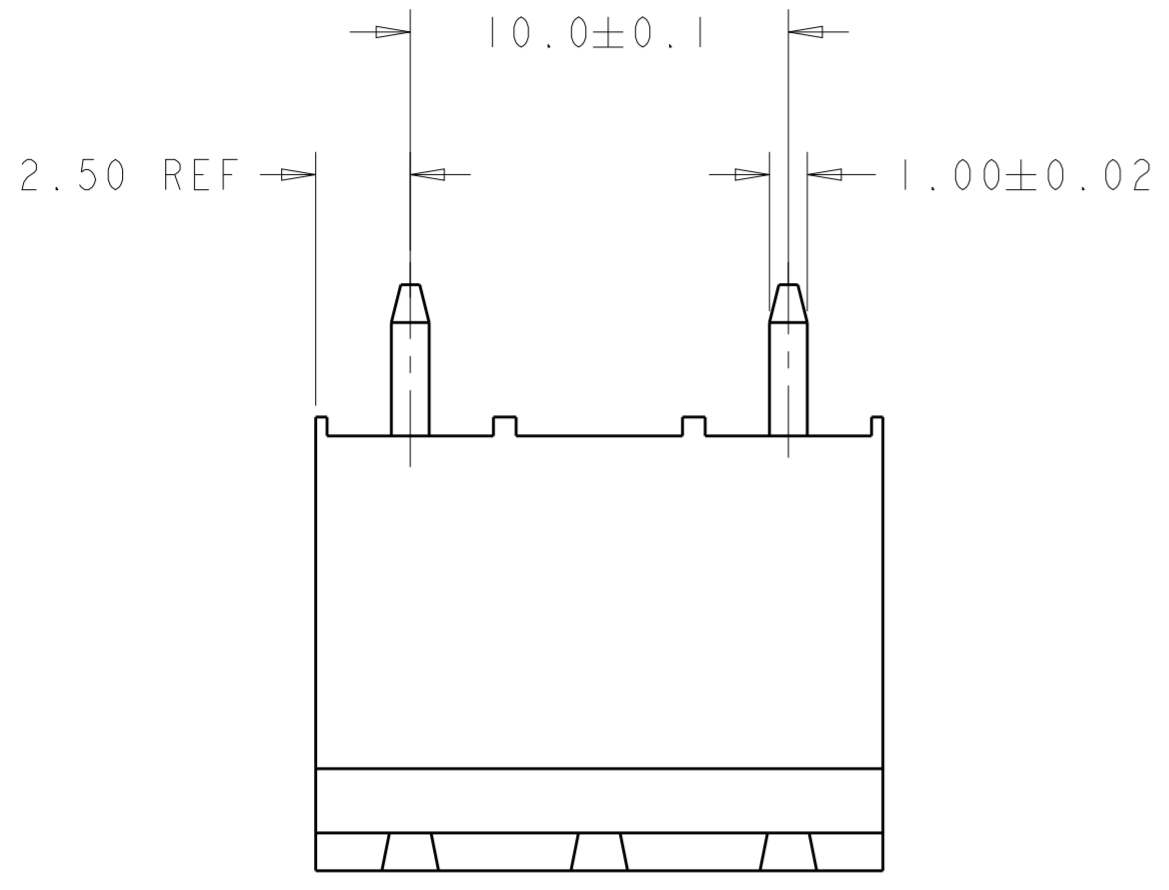
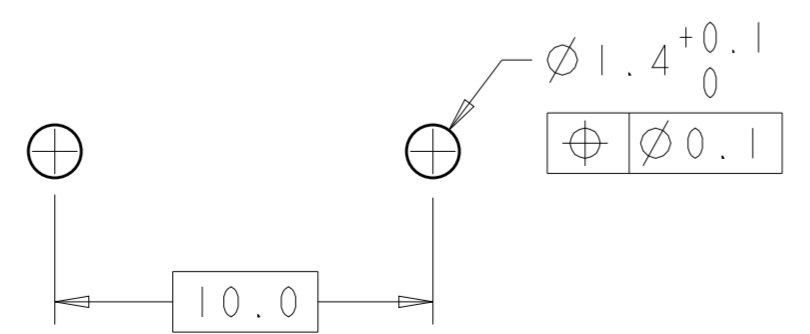
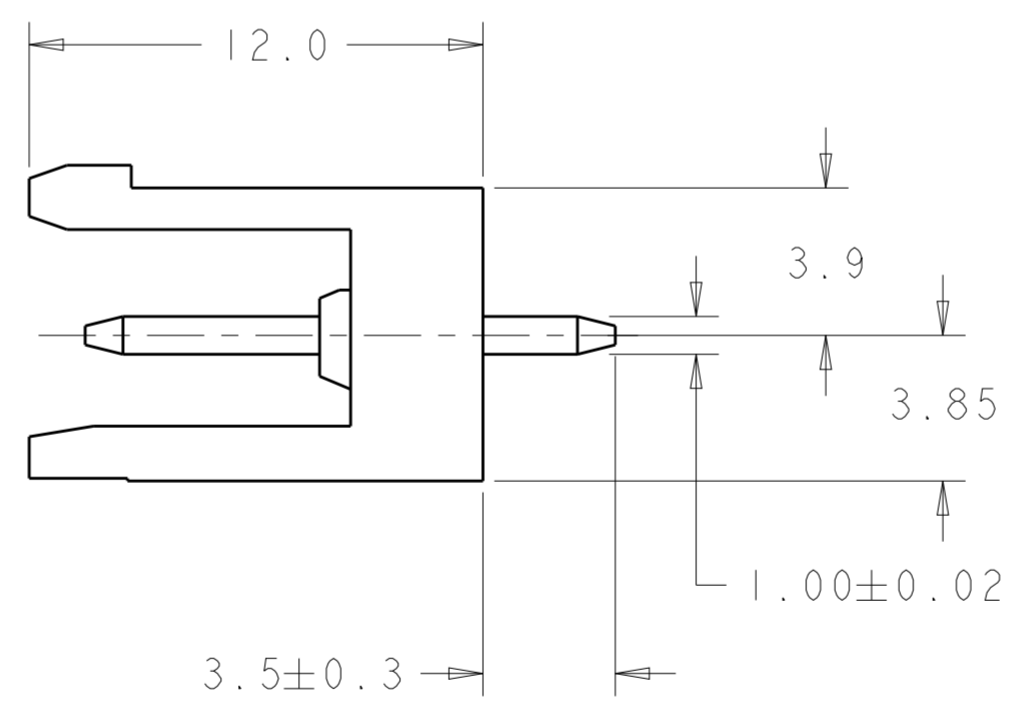
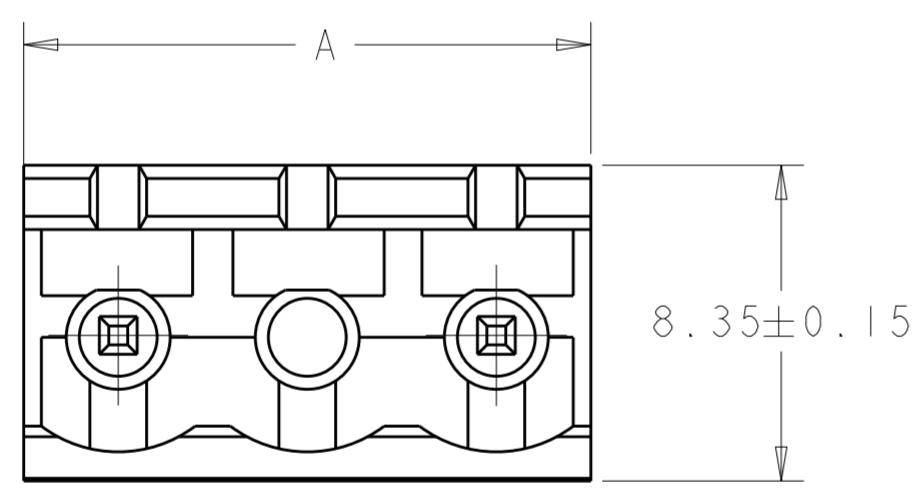


THIS DRAWING IS UNPUBLISHED. RELEASED FOR PUBLICATION 20
 © COPYRIGHT 20 Tyco Electronics AMP GmbH ALL RIGHTS RESERVED.

REVISIONS				
P	LTR	DESCRIPTION	DATE	APVD
A		PN 3-1776156-2 AND 3-1776156-3 ADDED	29JAN2018	PS



1776156-2 AS SHOWN



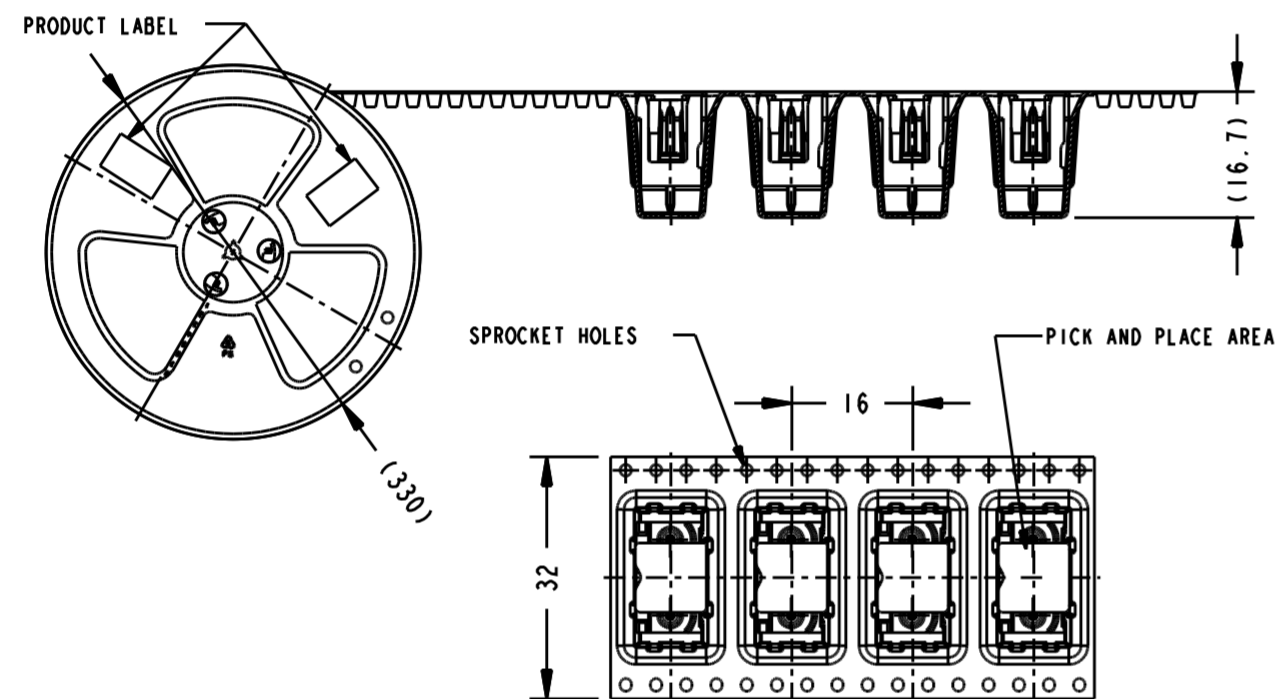
RECOMMENDED PC BOARD LAYOUT

OBSOLETE	15.0	2	3-1776156-3
	15.0	2	3-1776156-2
	35.0	4	1776156-4
	25.0	3	1776156-3
	15.0	2	1776156-2
A	NO OF POSN	PART NUMBER	

THIS DRAWING IS A CONTROLLED DOCUMENT.		DWN S. WELDON 11JUL2005	STE TE Connectivity	
DIMENSIONS: mm		CHK C. RICHARD 11JUL2005		
TOLERANCES UNLESS OTHERWISE SPECIFIED:		APVD C. RICHARD 11JUL2005	NAME	
0 PLC ±3	1 PLC ±.25	PRODUCT SPEC 108-20166	TERMINAL BLOCK HEADER ASSEMBLY, 180 DEGREE, OPEN ENDS, 10.00mm PITCH	
2 PLC ±.25	3 PLC ±.	APPLICATION SPEC 114-20079	SIZE	CAGE CODE
4 PLC ±.	ANGLES ±2	WEIGHT -	A200779	DRAWING NO C-1776156
FINISH		CUSTOMER DRAWING	SCALE 5:1	SHEET 1 OF 2
				REV A

REVISIONS				
P	LTR	DESCRIPTION	DATE	APVD
-		SEE SHEET 1	-	-

TAPE AND REEL PACKAGING DETAILS



NOTES:

- 1. MATERIALS AND FINISH
 HOUSING: HIGH TEMPERATURE POLYAMIDE, UL 94V-0 RATED,
 COLOR: BLACK.
 TERMINAL: COPPER ALLOY, TIN PLATED.
- 2. MECHANICAL
 MAX. INSERTION FORCE PER POLE : 3N
 MIN. WITHDRAWAL FORCE PER POLE : 1.5N
 MIN. PC BOARD HOLES DIAMETER : 1.4mm
 MAX. PC BOARD THICKNESS : 2.4mm
- 3. ELECTRICAL
 MAX. VOLTAGE : 600 V
 MAX CURRENT : 15 A
 CONTACT RESISTANCE : <15 m Ohm
 INSULATION RESISTANCE : > 1000 M Ohm (500V DC)
- 5. OPERATING TEMPERATURE RANGE: -40°C TO +110°C
- 6. WIRE RANGE 12-30 AWG
- 7. RECOGNIZED UNDER THE COMPONENT PROGRAM OF UNDERWRITERS LABORATORIES INC. FILE NO E60677.
- 8. IMQ CERTIFICATE WITH SURVEILLANCE IN CONFORMIT WITH IEC 998-1/998-2-1.
- 9. TAPE AND REEL WITH PADS.
- 10. TAPE AND REEL WITHOUT PADS.

THIS DRAWING IS A CONTROLLED DOCUMENT.		DWN S. WELDON 11 JUL 2005	TE Connectivity															
DIMENSIONS: mm		CHK C. RICHARD 11 JUL 2005																
TOLERANCES UNLESS OTHERWISE SPECIFIED:		APVD C. RICHARD 11 JUL 2005	NAME TERMINAL BLOCK HEADER ASSEMBLY, 180 DEGREE, OPEN ENDS, 10.00mm PITCH															
<table border="1"> <tr><td>0 PLC</td><td>±-</td></tr> <tr><td>1 PLC</td><td>±.3</td></tr> <tr><td>2 PLC</td><td>±.25</td></tr> <tr><td>3 PLC</td><td>±-</td></tr> <tr><td>4 PLC</td><td>±-</td></tr> <tr><td>ANGLES</td><td>±2</td></tr> <tr><td>FINISH</td><td></td></tr> </table>		0 PLC	±-	1 PLC	±.3	2 PLC	±.25	3 PLC	±-	4 PLC	±-	ANGLES	±2	FINISH		PRODUCT SPEC 108-20166	SIZE 114-20079	RESTRICTED TO -
0 PLC	±-																	
1 PLC	±.3																	
2 PLC	±.25																	
3 PLC	±-																	
4 PLC	±-																	
ANGLES	±2																	
FINISH																		
MATERIAL		APPLICATION SPEC 114-20079	WEIGHT -	SCALE 5:1														
		CUSTOMER DRAWING	WEIGHT -	SHEET 2 OF 2														
				REV A														