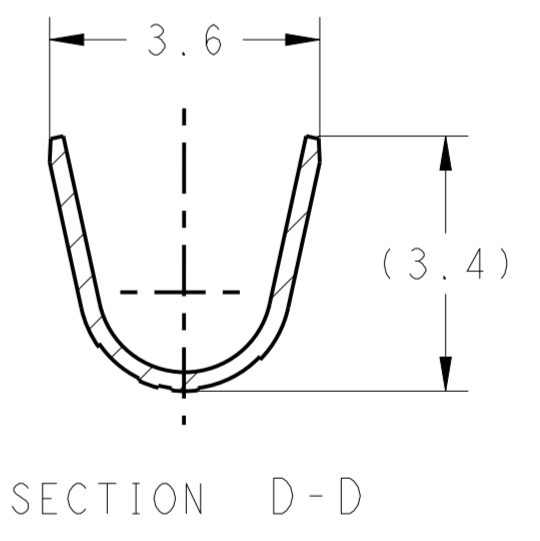
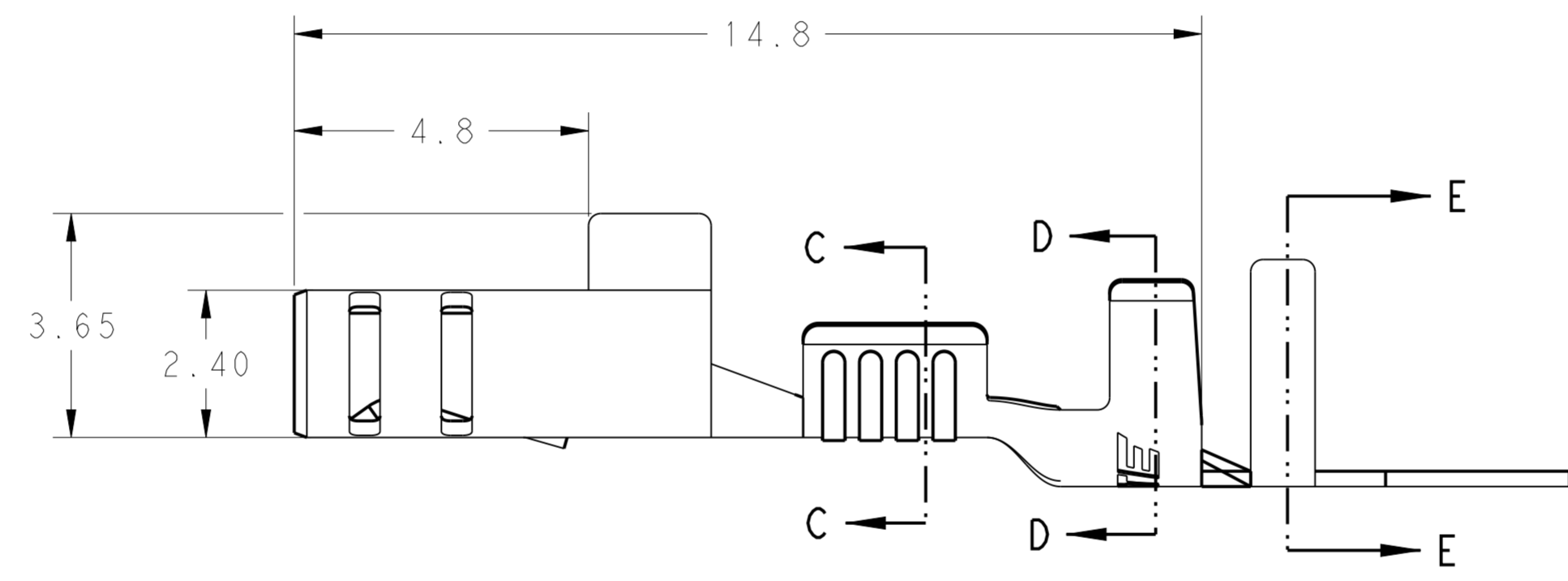
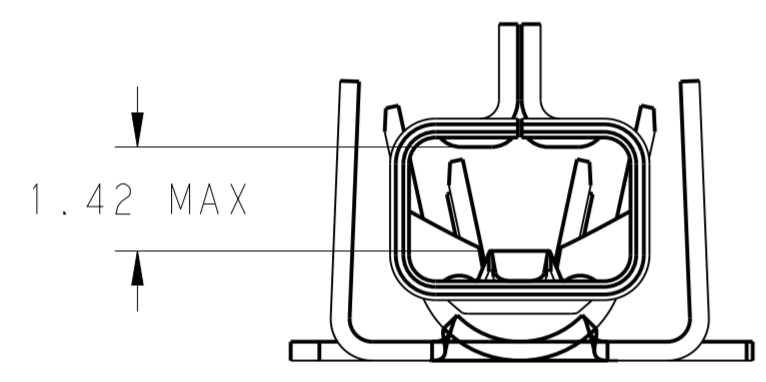
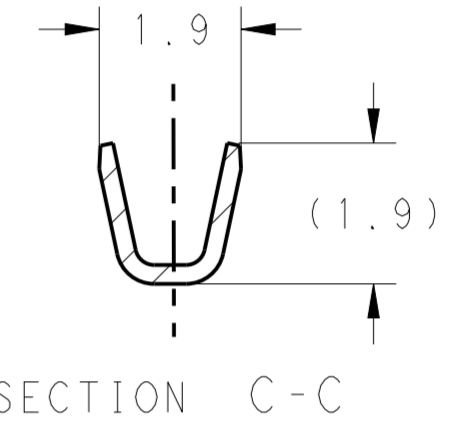
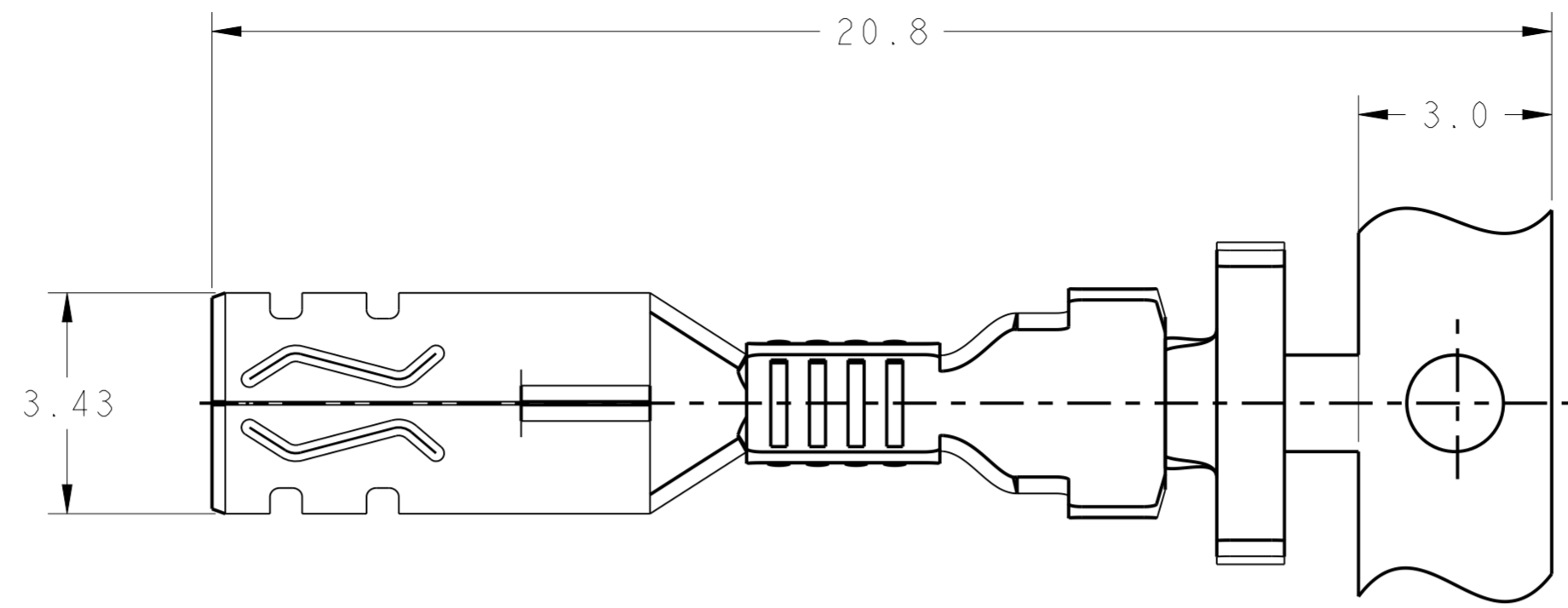
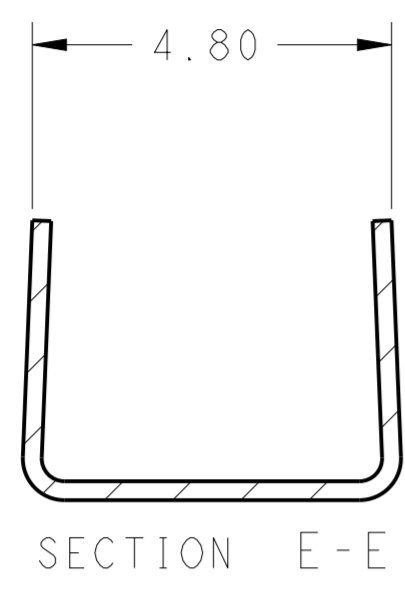


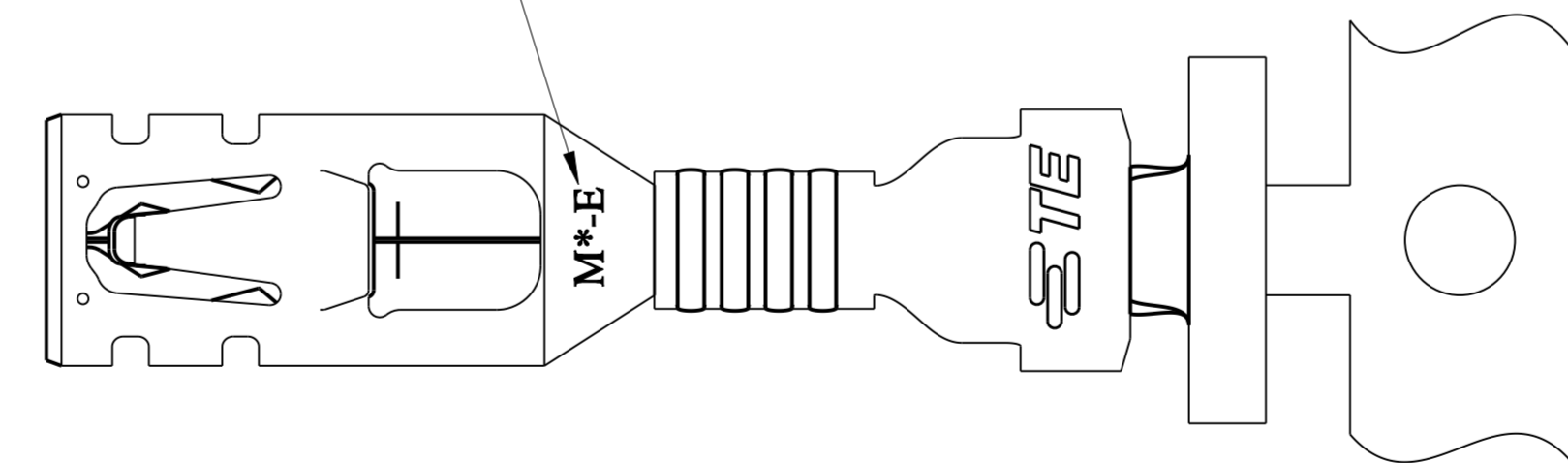
THIS DRAWING IS UNPUBLISHED. RELEASED FOR PUBLICATION 20
 © COPYRIGHT 20 BY - ALL RIGHTS RESERVED.

LOC ES DIST 00

REVISIONS				
P	LTR	DESCRIPTION	DATE	APVD
F		REVISED PER ECR-21-100678	08APR2021	SS VS



4 MATERIAL/SIZE MARK



- 1 RECOMMENDED WIRE RANGE: 20-24 AWG COPPER STRANDED(375-1200 CMA)
- 2 RECOMMENDED INSULATION DIAMETER: 1.43-2.70mm. INSULATION < 1.76mm REQUIRES AN APPLICATOR WITH AN OVERLAP INSULATION CRIMPER.
- 3 APPLICABLE MATED PLUG HOUSING P/N:
 -1971773-/*-1971776-*/*-1971876-*/
 -2232265-/*-2232266-*/*-2232357-*

4 WIRE SIZE INDICATOR "E"=20-24 AWG

COPPER ALLOY	HIGH(150°C)	M0-E	1971785-2
PHOS BRONZE	STANDARD(105°C)	M1-E	1971785-1
MATERIAL	TEMP. RATING	4 MATERIAL/SIZE MARK	PART NO

THIS DRAWING IS A CONTROLLED DOCUMENT.

DIMENSIONS: mm	TOLERANCES UNLESS OTHERWISE SPECIFIED: 0 PLC ± 1 PLC ±0.5 2 PLC ±0.30 3 PLC ± 4 PLC ± ANGLES ± FINISH	DWN TOMMY WU 11JUL2012	TE Connectivity
		CHK HAPYE WU 11JUL2012	
MATERIAL SEE TABLE	PRE-TIN	APVD YUHQNG MAO 11JUL2012	NAME
		PRODUCT SPEC 108-106118	RECEPTACLE CONTACT POWER TRIPLE LOCK
		APPLICATION SPEC 114-106118	SIZE CAGE CODE DRAWING NO
		WEIGHT	A2100779C-1971785
		Customer Drawing	RESTRICTED TO
		SCALE 6:1	SHEET 1 OF 1 REV F