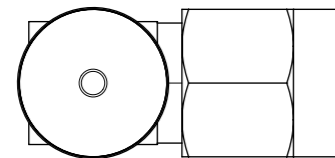
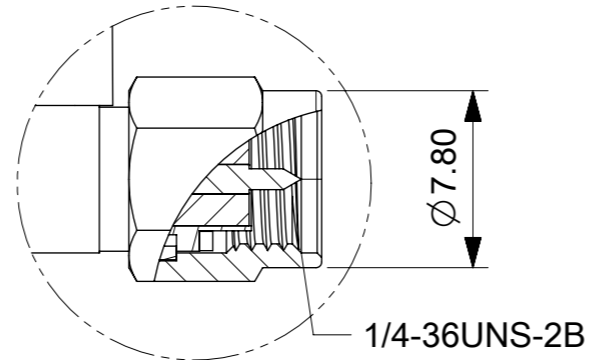


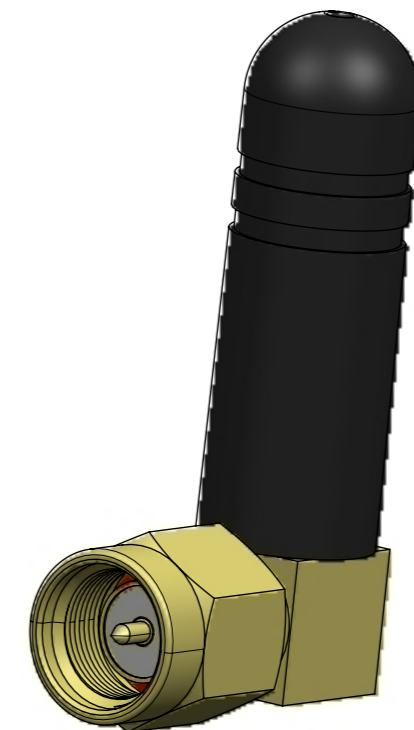
REV	DATE	DESCRIPTION
A	2020/08/12	NEW RELEASE



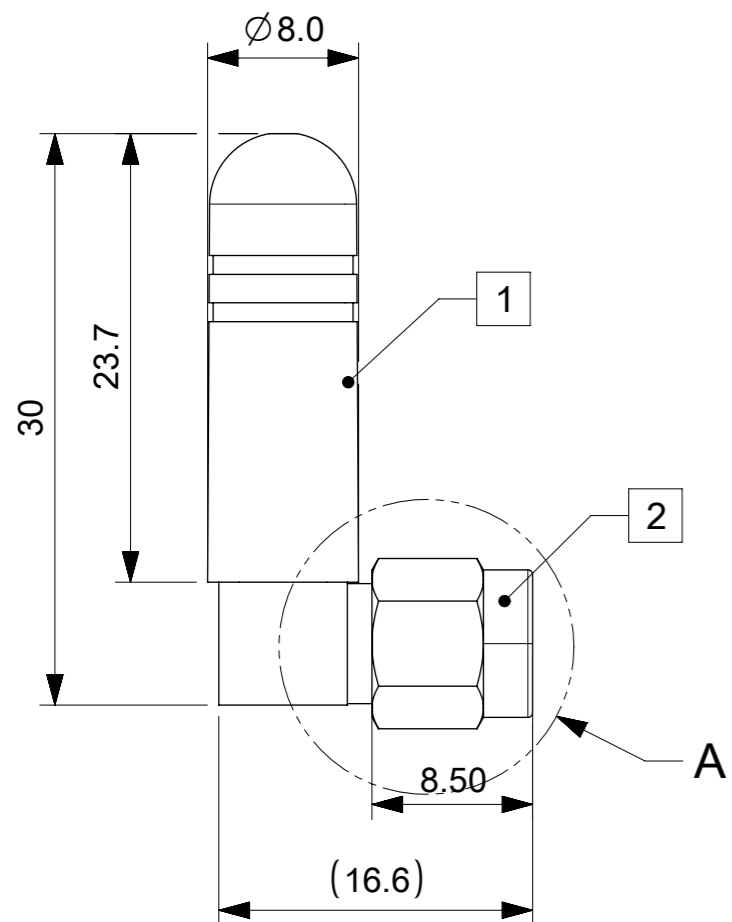
TOP VIEW



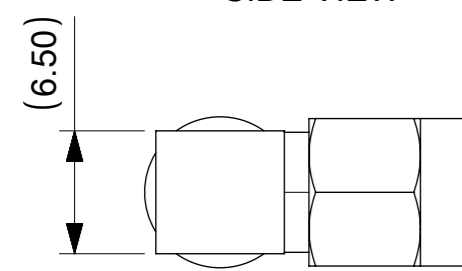
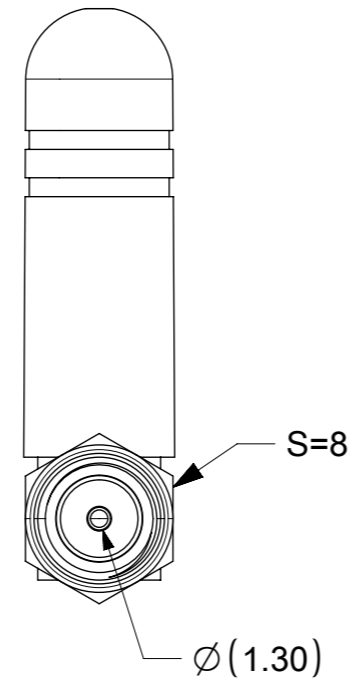
DETAIL A SCALE 3:1
SMA RIGHT ANGLE (MALE)



3D VIEW



SIDE VIEW



BOTTOM VIEW

- NOTES:
1. FOR STRUCTURAL MATERIALS, PLEASE REFER TO THE MATERIAL FORM.
 2. PACKAGE SPEC. REFER TO PK OF 2158720101.
 3. PRODUCT SPEC. REFER TO PS OF 2158720101.
 4. APPLICATION SPEC. REFER TO AS OF 2158720101.

BOM				
ITEM	NAME	MATERIAL	FINISH	QTY
1	ANTENNA HOUSING	TPEE63D	BLACK	1
2	CONNECTOR	SMA RIGHT ANGLE (MALE)	GOLD PATING	1

FUNCTIONAL SYMBOLS	THIS DRAWING CONTAINS INFORMATION THAT IS PROPRIETARY TO MOLEX ELECTRONIC TECHNOLOGIES, LLC AND SHOULD NOT BE USED WITHOUT WRITTEN PERMISSION	CURRENT REV DESC:		molex																						
	<table border="1"> <tr> <th>FUNCTIONAL SYMBOLS</th> <th>DIMENSION UNITS</th> <th>SCALE</th> </tr> <tr> <td>$\nabla_A = 0$</td> <td>mm</td> <td>2:1</td> </tr> <tr> <td>$\nabla_F = 0$</td> <td colspan="2">GENERAL TOLERANCES (UNLESS SPECIFIED)</td> </tr> <tr> <td>$\nabla_V = 0$</td> <td colspan="2">ANGULAR TOL $\pm 1.0^\circ$</td> </tr> <tr> <td rowspan="5">DIVISIONAL SYMBOLS</td> <td>4 PLACES</td> <td>\pm</td> </tr> <tr> <td>3 PLACES</td> <td>± 0.5</td> </tr> <tr> <td>2 PLACES</td> <td>± 1.0</td> </tr> <tr> <td>1 PLACE</td> <td>± 1.5</td> </tr> <tr> <td>0 PLACES</td> <td>± 2.0</td> </tr> </table>	FUNCTIONAL SYMBOLS	DIMENSION UNITS		SCALE	$\nabla_A = 0$	mm	2:1	$\nabla_F = 0$	GENERAL TOLERANCES (UNLESS SPECIFIED)		$\nabla_V = 0$	ANGULAR TOL $\pm 1.0^\circ$		DIVISIONAL SYMBOLS	4 PLACES	\pm	3 PLACES	± 0.5	2 PLACES	± 1.0	1 PLACE	± 1.5	0 PLACES	± 2.0	EC NO: 644955 DRWN: KCHENG06 2020/08/12 CHK'D: XJSONG 2020/09/11 APPR: XJSONG 2020/09/11
FUNCTIONAL SYMBOLS	DIMENSION UNITS	SCALE																								
$\nabla_A = 0$	mm	2:1																								
$\nabla_F = 0$	GENERAL TOLERANCES (UNLESS SPECIFIED)																									
$\nabla_V = 0$	ANGULAR TOL $\pm 1.0^\circ$																									
DIVISIONAL SYMBOLS	4 PLACES	\pm																								
	3 PLACES	± 0.5																								
	2 PLACES	± 1.0																								
	1 PLACE	± 1.5																								
	0 PLACES	± 2.0																								
DRAFT WHERE APPLICABLE MUST REMAIN WITHIN DIMENSIONS			THIRD ANGLE PROJECTION	PRODUCT CUSTOMER DRAWING																						
DRWN: KCHENG06 2020/08/12 APPR: XJSONG 2020/09/11		INITIAL REVISION: DRWN: KCHENG06 2020/08/12 APPR: XJSONG 2020/09/11	DOCUMENT NUMBER 2158720101	DOC TYPE DOC PART REVISION PSD 000 A																						
A3-SIZE		SERIES 215872	MATERIAL NUMBER 2158720101	CUSTOMER GENERAL MARKET																						
				SHEET NUMBER 1 OF 1																						