

THIS DRAWING IS UNPUBLISHED.

RELEASED FOR PUBLICATION

20

© COPYRIGHT 19 BY -

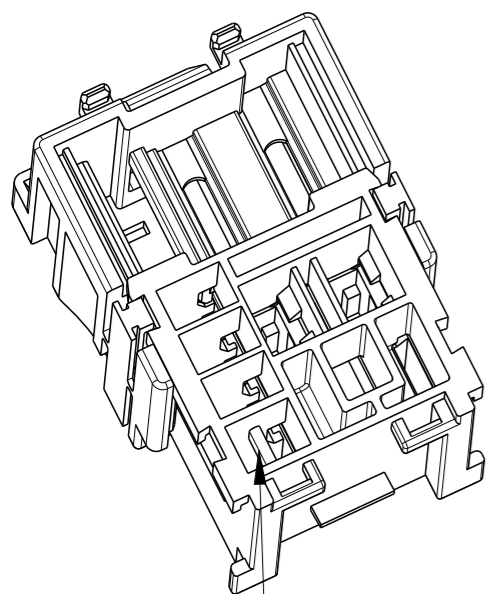
ALL RIGHTS RESERVED.

LOC 1
DIST -

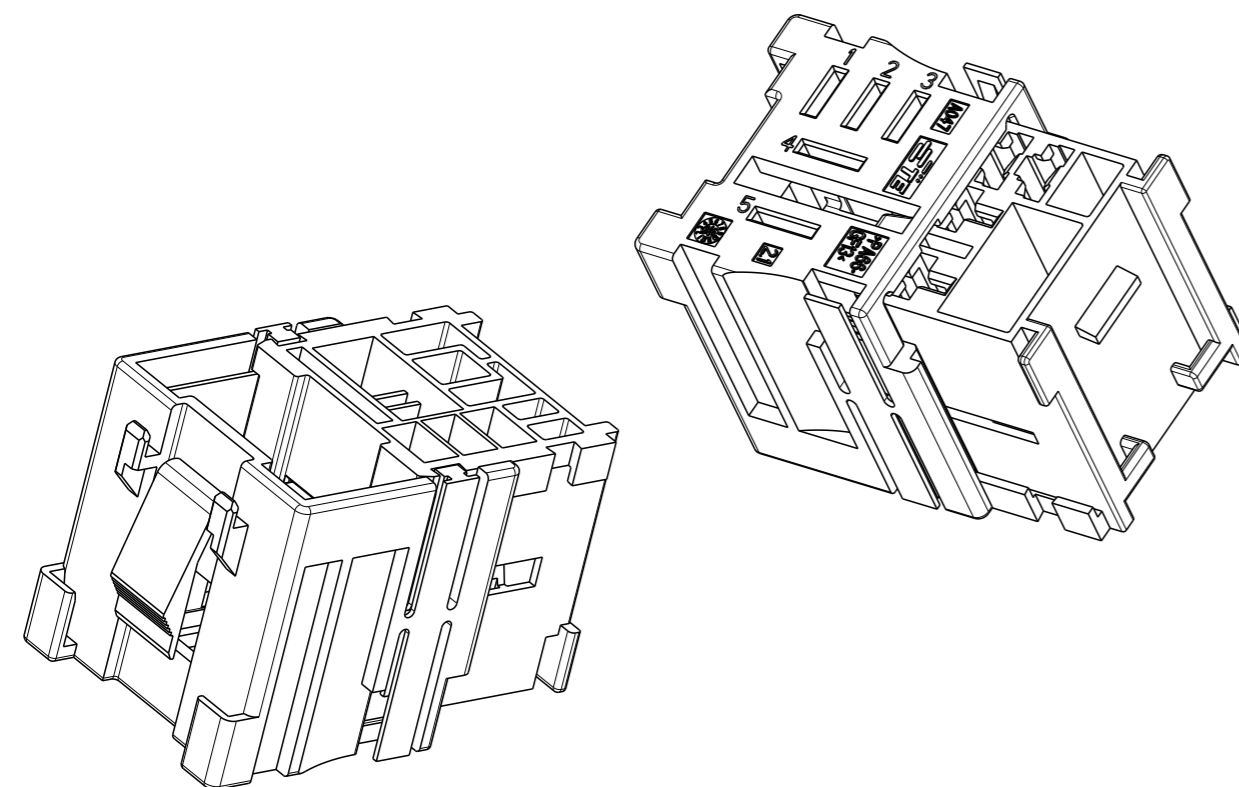
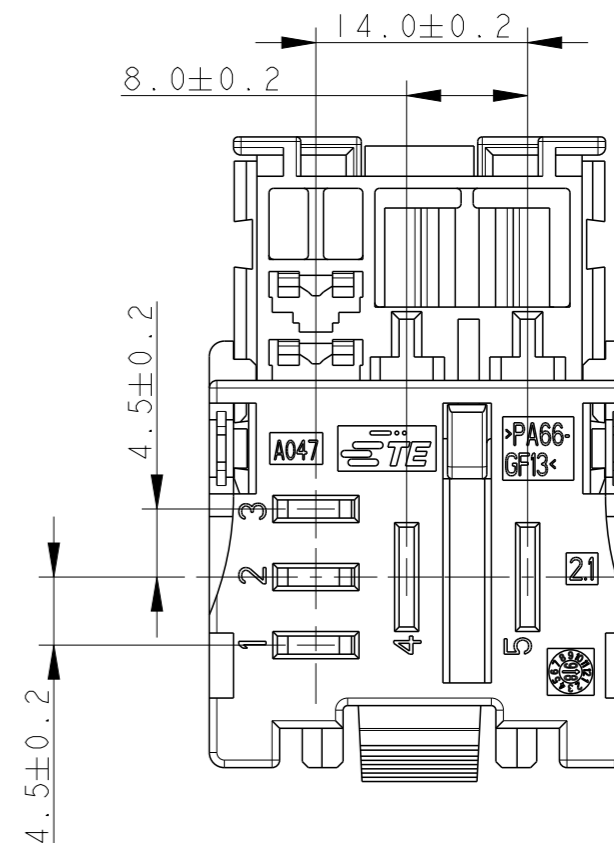
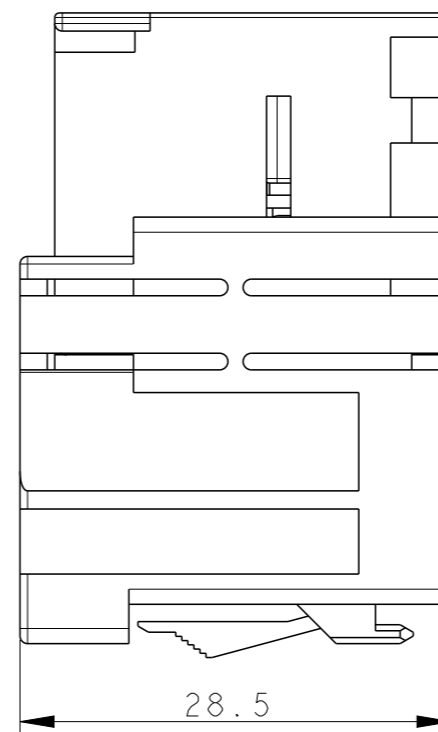
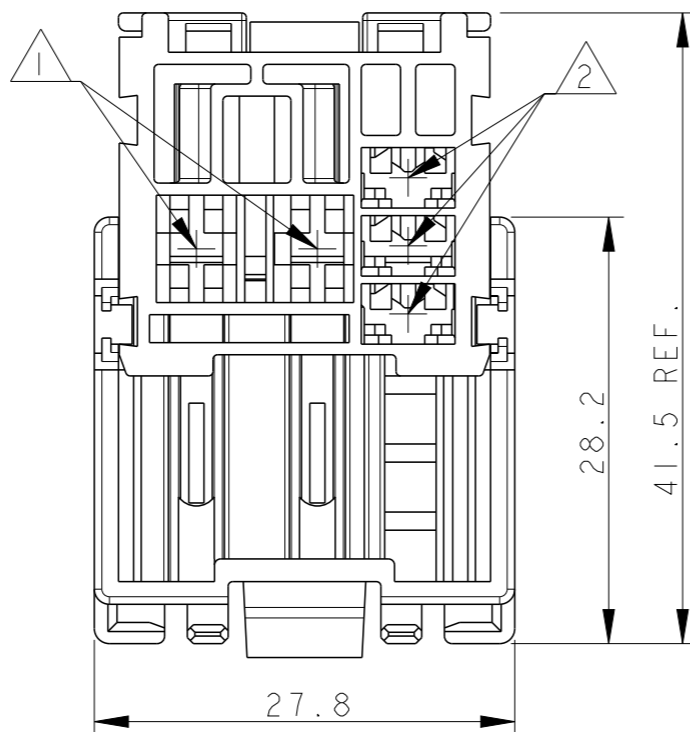
REVISIONS

P	LTR	DESCRIPTION	DATE	DWN	APVD
D2		DRAFTING CORRECTION	04SEP2012	A.B.	M.G.
D3		ADDED ALTERNATIVE SHAPE VERSION	20MAR2016	M.P.	M.G.

FORMA ALTERANTIVA
(ALTERNATIVE SHAPE)



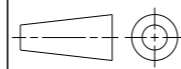
PARETE DIVISORIA
RIBASSATA
(SEPARATION WALL
LOWERED)



VERDE (GREEN)	PA 6.6 GF	D	284106-5
MARRONE (BROWN)		D	284106-4
ROSSO (RED)		D	284106-3
NERO (BLACK)		D	284106-2
NATURALE (NATURAL)		D	284106-1
COLORE (COLOUR)	MATERIALE (MATERIAL)	REV.	NUMERO (PART NUMBER)

THIS DRAWING IS A CONTROLLED DOCUMENT.

DIMENSIONS:
mm



TOLERANCES UNLESS OTHERWISE SPECIFIED:

- 0 PLC ±0.3
- 1 PLC ±-
- 2 PLC ±-
- 3 PLC ±-
- 4 PLC ±-
- ANGLES ±2
- FINISH

MATERIAL SEE TABLE

FINISH SEE TABLE

DWN	C. PIA	15JUN98
CHK	A. GENTA	15JUN98
APVD	A. BRUNI	15JUN98
PRODUCT SPEC	108-	
APPLICATION SPEC	114-	
WEIGHT	-	



NAME
5 POS. MODULAR CONN FOR
MICRO-RELAY WITH SECONDARY LOCK

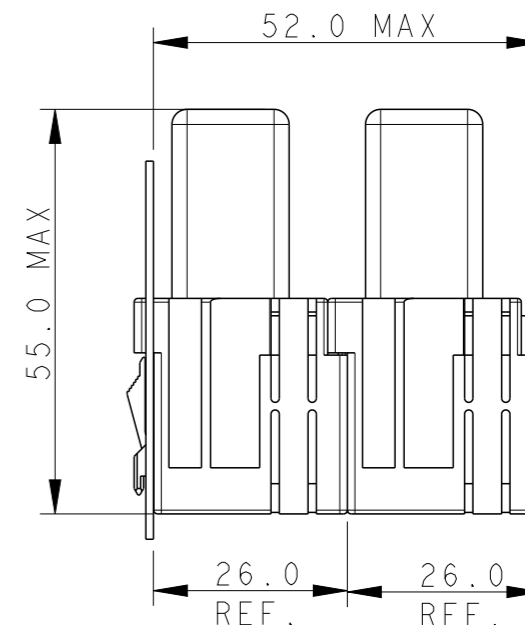
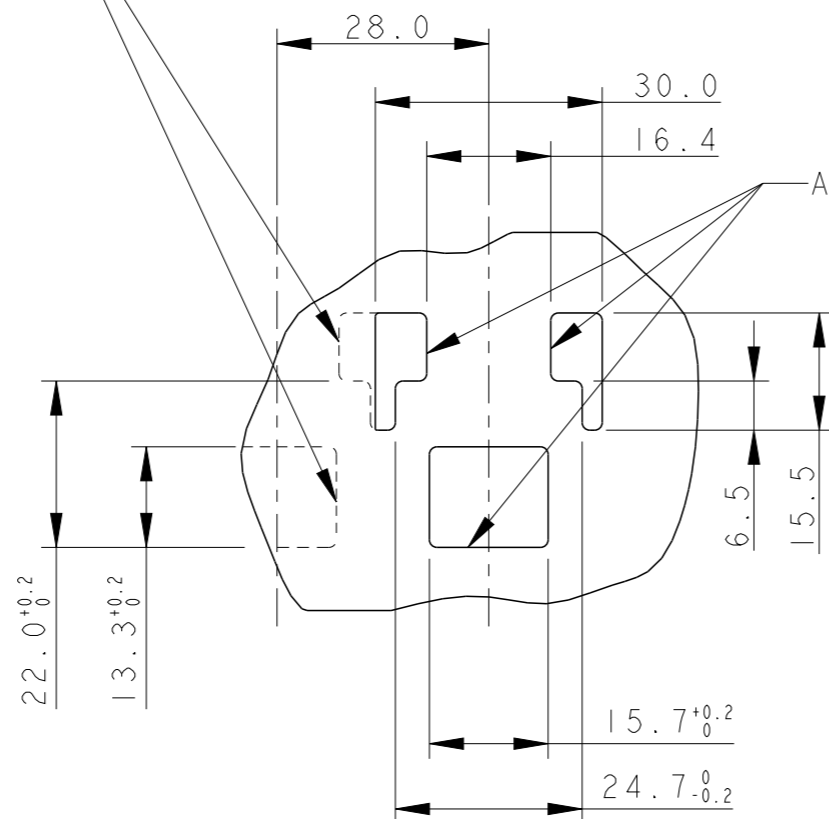
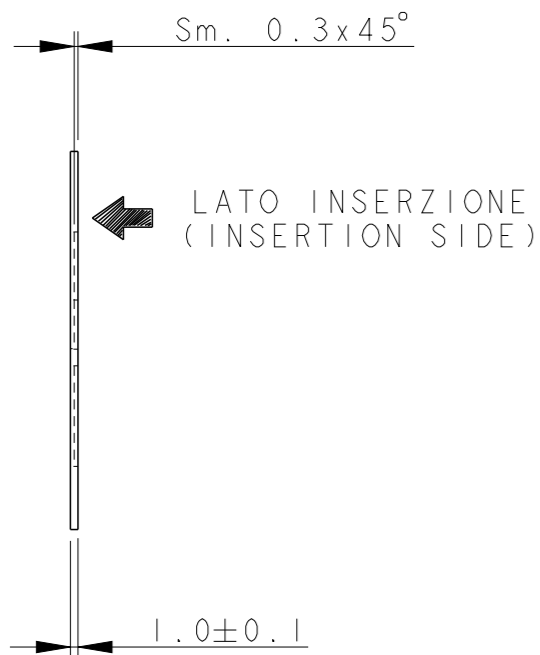
SIZE	CAGE CODE	DRAWING NO	RESTRICTED TO
A3	00779	C-284106	-

CUSTOMER DRAWING SCALE 2:1 SHEET 1 OF 2 REV D3

P	LTR	DESCRIPTION	DATE	DWN	APVD
		SEE SHEET 1			

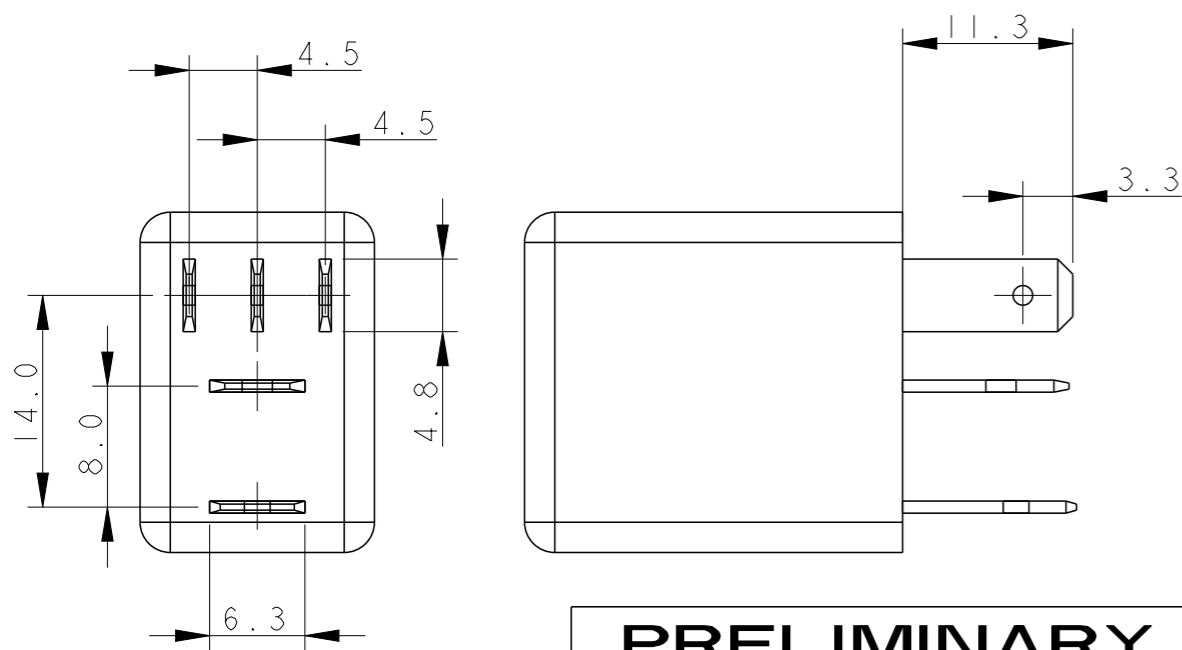
ASOLE ADDIZIONALI PER ASSEMBLAGGIO MULTIPLO
(ADDITIONAL SLOTS FOR MULTIPLE MOUNTING)

ASOLE PER ASSEMBLAGGIO SINGOLO
(SLOTS FOR SINGLE MOUNTING)



RAPPRESENTAZIONE MODULARITA' SCALA 1:1
NON ASSEMBLARE PIU' DI 2 CONNETTORI INSIEME
(SKETCH SHOWING CONNECTORS MODULARITY SCALE 1:1
DO NOT ASSEMBLE MORE THAN 2 CONNECTORS TOGETHER)

DIMENSIONI RELAY
(RELAY DIMENSIONS)



PRELIMINARY

- 1 N°2 CAVITA' ADATTE PER TERMINALI STANDARD POWER TIMER P/N:
(N°2 CAVITIES SUITABLE FOR STANDARD POWER TIMER CONTACTS P/N:)
927829-5 FINISH: SILVERED, WIRE RANGE: 2.5-4.0 sqmm
(FINITURA: ARGENTATO, RANGO FILO: 2.5-4.0 sqmm)
1241818-5 FINISH: SILVERED, WIRE RANGE: 6.0 sqmm
(FINITURA: ARGENTATO, RANGO FILO: 6.0 sqmm)

- 2 N°3 CAVITA' ADATTE PER TERMINALI POSITIVE LOCK MARK II, .187 SERIES P/N:
(N°3 CAVITIES SUITABLE FOR POSITIVE LOCK MARK II, .187 SERIES CONTACTS P/N:)
173690-1 FINISH: PRE-TIN, WIRE RANGE: 0.35-0.5 sqmm
(FINITURA: PRE-STAGNATO, RANGO FILO: 0.35-0.5 sqmm)
173691-1 FINISH: PRE-TIN, WIRE RANGE: >0.5-1.0 sqmm
(FINITURA: PRE-STAGNATO, RANGO FILO: >0.50-1.0 sqmm)
1318306-1 FINISH: PRE-TIN, WIRE RANGE: >1.0-2.5 sqmm
(FINITURA: PRE-STAGNATO, RANGO FILO: >1.0-2.5 sqmm)

THIS DRAWING IS A CONTROLLED DOCUMENT.		DWN C. PIA 15JUN98	TE Connectivity	
DIMENSIONS: mm		CHK A. GENTA 15JUN98		
TOLERANCES UNLESS OTHERWISE SPECIFIED:		APVD A. BRUNI 15JUN98	NAME 5 POS. MODULAR CONN FOR MICRO-RELAY WITH SECONDARY LOCK	
0 PLC ±0.3		PRODUCT SPEC 108-	RESTRICTED TO	
1 PLC ±-		APPLICATION SPEC 114-	SIZE A3	CAGE CODE 00779
2 PLC ±-		WEIGHT -	DRAWING NO C-284106	REV D3
3 PLC ±-		CUSTOMER DRAWING	SCALE 2:1	SHEET 2 OF 2
4 PLC ±-				
ANGLES ±2				
FINISH SEE TABLE				