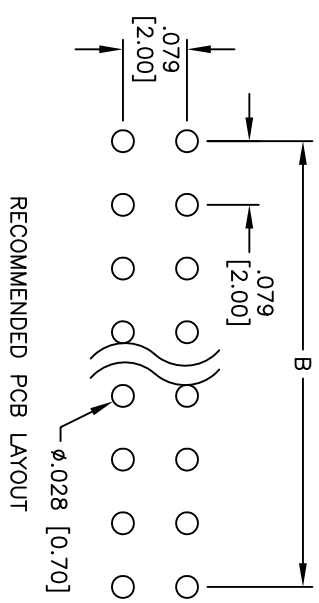
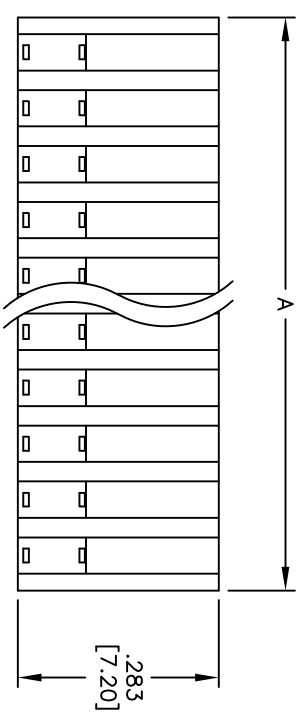
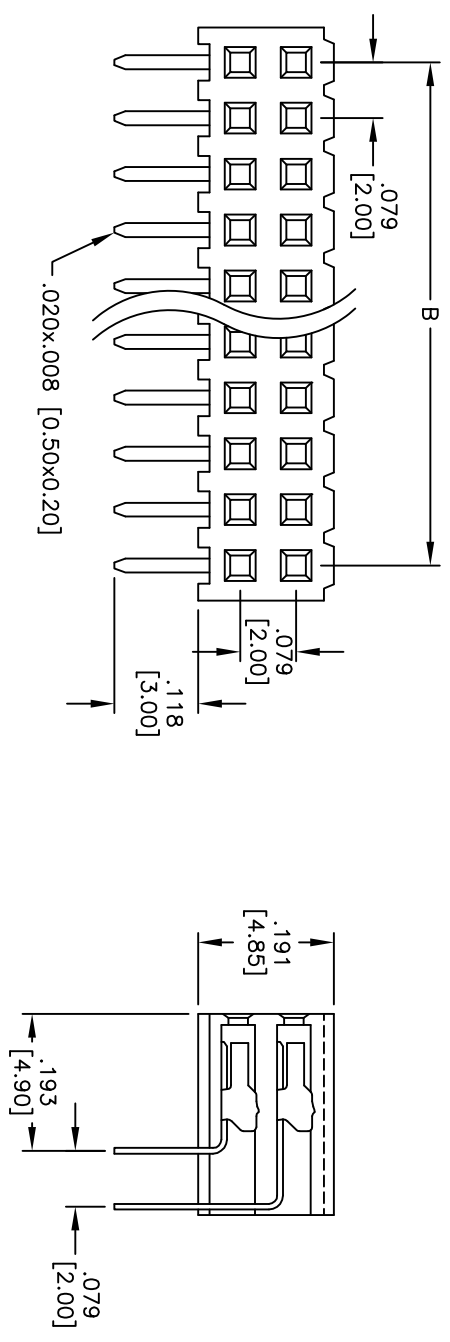


| Rev | AWO # | Description | Date    | Appr |
|-----|-------|-------------|---------|------|
| -   |       | RELEASED    | 5/27/05 |      |

APPROVED: \_\_\_\_\_  
 DATE: \_\_\_\_\_ TITLE: \_\_\_\_\_



Positions: 04 thru 80  
 A = .079 [2.00] x No. of Positions per Row  
 B = .079 [2.00] x No. of Spaces

**SPECIFICATIONS:**  
 Material: Insulator: Hi-temp thermoplastic, rated UL 94V-0  
 Insulator color: Black  
 Contacts: Phosphor Bronze  
 Plating: Gold flash over Nickel underplate overall  
 Electrical: Current rating: 1 Amp max.  
 Contact resistance: 20 mohms max. initial  
 Insulation resistance: 5,000 Mohms min.  
 Temperature Rating: Operating temperature: -40°C to +105°C  
 Environmental: Lead free, RoHS compliant

UNLESS OTHERWISE SPECIFIED  
 ALL DIMENSIONS ARE INCHES [MM]  
 TOLERANCES: EXCEPT AS NOTED  
 INCHES Holes  
 .X ± .10 ØXX ± .10  
 .XX ± .020 ØXXX ± .015  
 .XXX ± .015 ØXXXX ± .010  
 APPROVALS DATE

**ADAM TECH**  
 909 Rahway Avenue, Union, NJ 07083  
 Phone: 908-687-5000 Fax: 908-687-5710  
 TITLE: .079 x .079 DUAL ROW RECEPTACLE STRIP  
 .110 [2.80] HEIGHT, RIGHT ANGLE

**ROHS**  
 COMPLIANT

|          |    |         |
|----------|----|---------|
| DRAWN    | SS | 5/27/05 |
| CHECKED  |    |         |
| APPROVED |    |         |

|      |            |              |
|------|------------|--------------|
| SIZE | PART NO.   | REV.         |
| X    | 2RS2R-XX-G | -            |
| REF: | SCALE: NTS | SHEET 1 OF 1 |