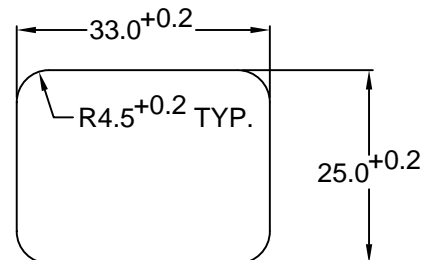
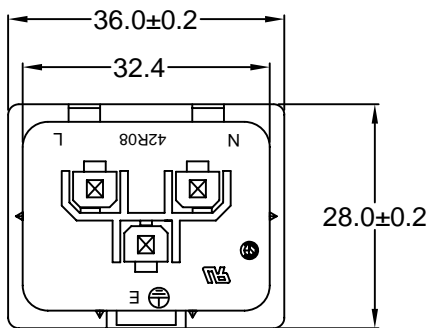


**MATERIAL AND FINISH:**

Insulator: Polycarbonate, UL-94V-0 rated  
Contacts: Brass, Nickel plated

**ELECTRICAL SPECIFICATIONS:**

Current rating: 16 A  
Voltage rating: 250 VAC  
Current rating: 20 A  
Voltage rating: 250 VAC  
Insulation resistance: 100 Mohm min. at 500 VDC  
Dielectric withstanding voltage: 2000 VAC for one minute



RECOMMENDED PANEL CUTOUT

**MECHANICAL SPECIFICATIONS:**

Recommended Soldering Temp: 235°C  
Recommended Soldering Time: 5 sec. max.

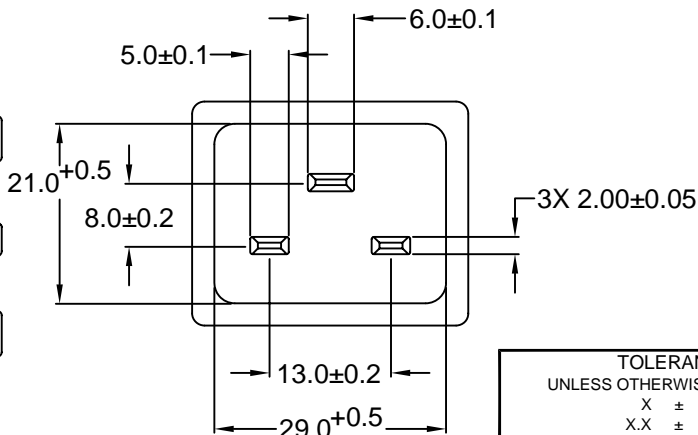
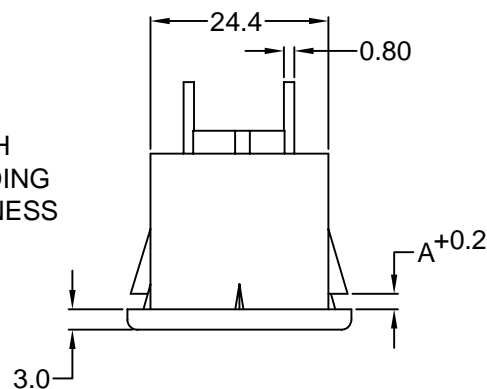
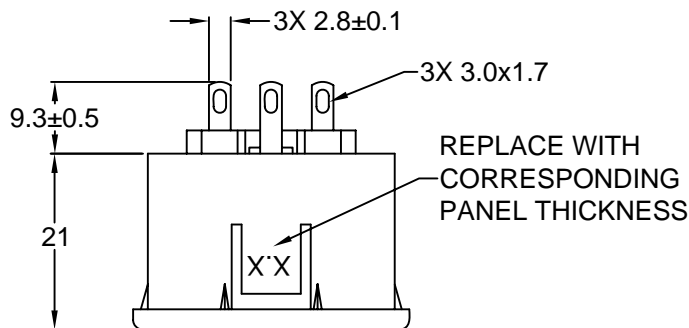
ORDERING CODE:  
42R08-3          -           
          1      2      3

- 1) COLOR  
1 = BLACK  
2 = GRAY

2) ELECTRICAL CIRCUIT CONFIGURATION

- 1 = 20A 250V 70°C 2+GROUND
- 2 = 20A 250V 155°C 2+GROUND
- 4 = 20A 250V 70°C 2 POLE

3) PANEL THICKNESS



P/N	A	MAX. PANEL THICKNESS
42R08-3X2X-100	1.0	1.0
42R08-3X2X-150	1.5	1.5
42R08-3X2X-200	2.0	2.0
42R08-3X2X-250	2.5	2.5

ADDITIONAL PANEL THICKNESS AVAILABLE ON REQUEST

REV	DATE	CHANGE			CHNG CHECK APPR		
		ADD SOLDER TEMP & TIME	ADD 1.0 PANEL & RoHS	TERM. DIM.	PB	TD	PB
A	10/8/04						
B	7/2/07						
C	7/17/09						

TOLERANCE UNLESS OTHERWISE SPECIFIED	
X	± 1
X.X	± 0.4
X.XX	± 0.20

DRAWN BY	GQ	DATE:	08/24/01
CHECK BY	TD	DATE:	08/29/01
APPR BY	PB	DATE:	08/29/01

RoHS COMPLIANT

**Power Dynamics, Inc.**

Phone: 973 560-0019 Whippany, New Jersey Fax: 973 560-0076

PART: 16/20A IEC 60320 APPL. INLET; SOLDER TERMINALS; SNAP-IN, PANEL MOUNT

PART #:	42R08-3X2X-XXX	SHEET	1 of 1
SIZE:	A	ALL DIMENSIONS FOR REFERENCE ONLY DIMENSIONS ARE IN MILLIMETERS	REV: C
SCALE:	NTS		