

推奨基板寸法
RECOMMENDED P.C.B
PATTERN LAYOUT

注記
NOTES

- 材質 MATERIAL
ハウジング : 液晶ポリマー-UL94V-0
HOUSING : LIQUID CRYSTAL POLYMER [LCP]
UL94V-0
ターミナル : 銅合金
TERMINAL : COPPER ALLOY
ネール : 銅合金
NAIL : COPPER ALLOY
- メッキ仕様 PLATING
接点部 : 金メッキ 0.1 μm MIN.
CONTACT AREA : GOLD PLATING 0.1 μm MIN.
半田付け部 : 金メッキ 0.1 μm MIN.
SOLDER TAIL AREA : GOLD PLATING 0.1 μm MIN.
下地メッキ : パラジウム-ニッケルメッキ 0.2 μm MIN.
ニッケルメッキ 0.5 μm MIN.
UNDER PLATING : PALLADIUM-NICKEL PLATING
0.2 μm MIN.
NICKEL PLATING 0.5 μm MIN.
ネール : 銀メッキ 1.0 μm MIN.
NAIL : TIN PLATING 1.0 μm MIN.
下地メッキ : ニッケルメッキ 1.0 μm MIN.
UNDER PLATING : NICKEL PLATING 1.0 μm MIN.
- テール及びネールの平坦度は0.1以下
TAIL AND NAIL COPLANARITY : 0.1 MAX.
- 嵌合相手 : 500024 シリーズ。
MATE WITH : 500024 SERIES.

13.7	11.6	500027-6069	60
9.7	7.6	500027-4069	40
8.5	6.4	500027-3469	34
7.7	5.6	500027-3069	30
A	B	MATERIAL No.	CIRCUIT
500027-xx69		MODEL NO.	

REVISED EC NO: J2006-1200 DRW: T.ASAKAWA 2005/10/13 CHK: D.HIRATA 2005/10/14 APPR: T.HIRATA 2005/10/18 DESCRIPTION REV	GENERAL TOLERANCES (UNLESS SPECIFIED)		DIMENSION STYLE MM ONLY		SCALE ---	DESIGN UNITS METRIC	THIRD ANGLE PROJECTION
	10 UNDER	± 0.2	DRAWN BY T.ASAKAWA	DATE 2004/06/22	TITLE 0.4 B/B CONN. PLUG ASSY FOR CHECKER -LEAD FREE-		
	10 OVER 30 UNDER	± 0.25	CHECKED BY T.HIRATA	DATE 2004/06/22	MOLEX INCORPORATED		
	30 OVER	± 0.3	APPROVED BY M.SASAO	DATE 2004/06/22	MATERIAL NO. SEE CHART	DOCUMENT NO. SD-500027-026	SHEET NO. 1 OF 2
	ANGULAR	± 3 °	DRAFT WHERE APPLICABLE MUST REMAIN WITHIN DIMENSIONS		THIS DRAWING CONTAINS INFORMATION THAT IS PROPRIETARY TO MOLEX INCORPORATED AND SHOULD NOT BE USED WITHOUT WRITTEN PERMISSION		

10 9 8 7 6 5 4 3 2 1

F

F

E

E

D

D

C

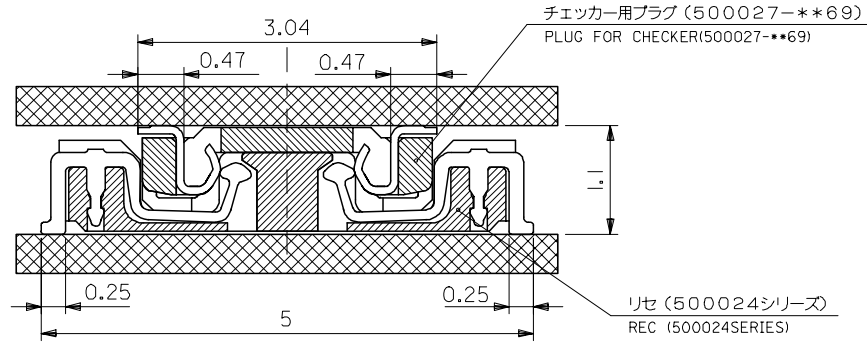
C

B

B

A

A



嵌合断面図 (参考)
MATED DRAWING

REVISED		GENERAL TOLERANCES (UNLESS SPECIFIED)		DIMENSION STYLE		SCALE	DESIGN UNITS	MODEL NO.	
EC NO: J2006-1200	2005/10/13	10 UNDER ±0.2		MM ONLY		---	METRIC	500027-**69	
DRWN: T.ASAKAWA	2005/10/14	10 OVER 30 UNDER ±0.25		DRAWN BY DATE		TITLE			
CHKD: T.HIRATA	2005/10/14	30 OVER ±0.3		T.ASAKAWA 2004/06/22		0.4 B/B CONN. PLUG ASSY FOR CHECKER -LEAD FREE-			
APPR: T.HIRATA	2005/10/18	ANGULAR ±3 °		CHECKED BY DATE		MOLEX MOLEX INCORPORATED			
		DRAFT WHERE APPLICABLE MUST REMAIN WITHIN DIMENSIONS		M.SASAO 2004/06/22		DOCUMENT NO.		SHEET NO.	
				MATERIAL NO.		SD-500027-026		2 OF 2	
				SEE CHART		THIS DRAWING CONTAINS INFORMATION THAT IS PROPRIETARY TO MOLEX INCORPORATED AND SHOULD NOT BE USED WITHOUT WRITTEN PERMISSION			

9

8

7

6

5

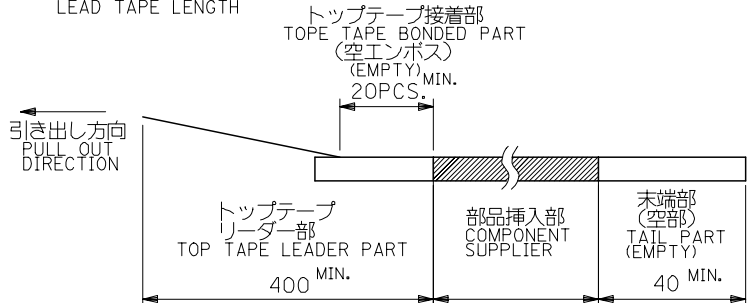
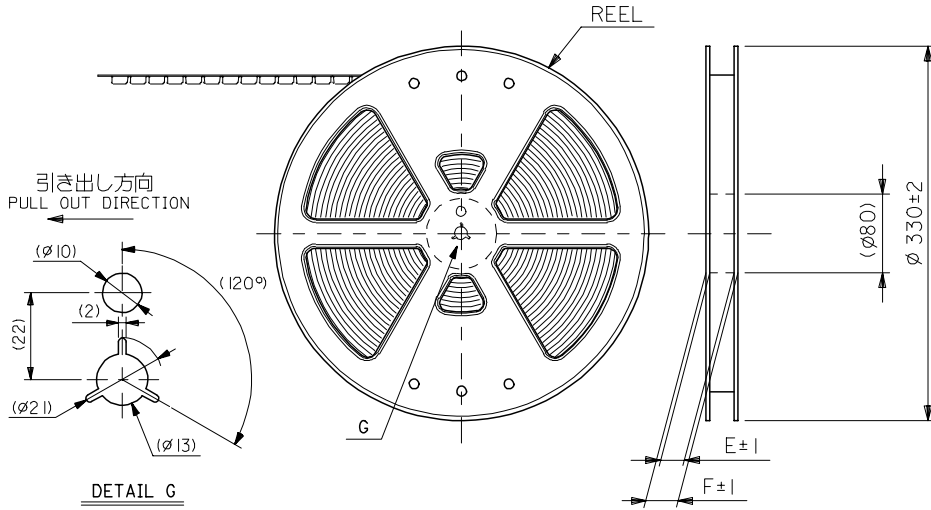
4

3

2

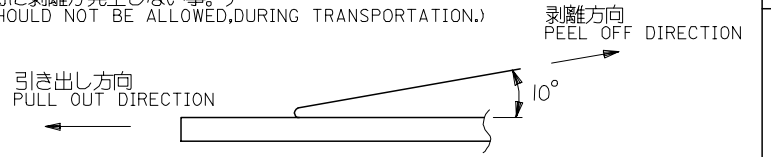
注)
NOTES

1. 製品番号 500027-**69 詳細寸法については、製品単体図面を参照下さい。
IN THE PACKAGE PART NUMBER 500027-**69 DETAILED DIMENSIONS, SEE SALES DRAWING FOR CONNECTOR.
2. 梱包数量：2000個/リール
NUMBER OF CONNECTORS : 2000 PCS/REEL.
3. リードテープ長さ
LEAD TAPE LENGTH



4. トップテープの剥離強度：(剥離方向は下図参照)
PEELING OFF FORCE OF TOP TAPE (PELLING DIRECTION AS SHOWN IN FOLLOWING FIGURE.)
0. 1~1. 3N {10~130gf}

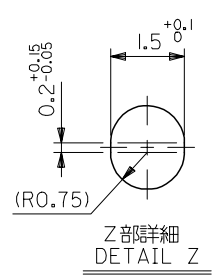
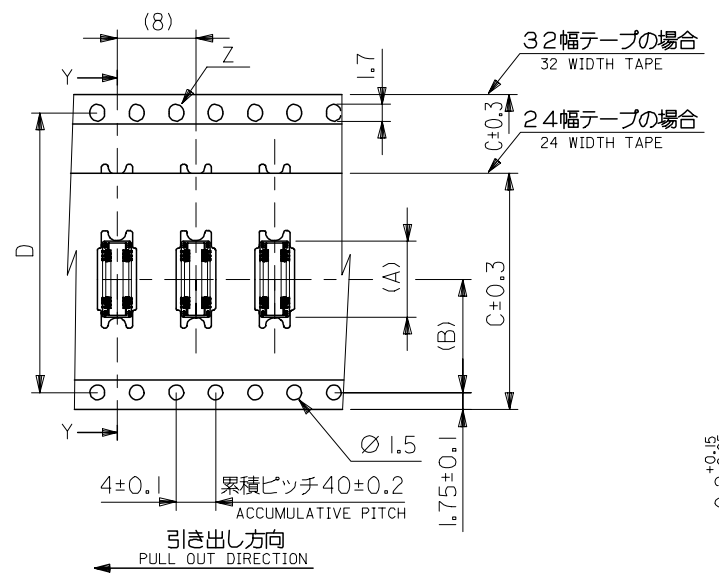
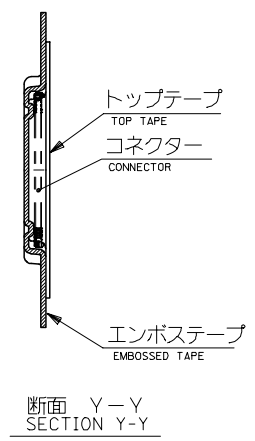
尚、本規格値は、出荷時に適用。
(但し、輸送時に剥離が発生しない事。)
(PEEL OFF SHOULD NOT BE ALLOWED, DURING TRANSPORTATION.)



5. 材料
MATERIAL
キャリアテープ：ポリプロピレン (PP)
CARRIER TAPE: POLYPROPYLENE (PP)
トップテープ：PET, PE, PEF
TOP TAPE: PET, PE, PEF
リール：ポリスチレン
REEL : POLYSTYRENE

500027-**61 MODEL NO.

REVISED EC NO: J2006-1200 DRWN: T.ASAKAWA 2005/10/13 CHKD: T.HIRATA 2005/10/14 APPR: T.HIRATA 2005/10/18	GENERAL TOLERANCES (UNLESS SPECIFIED)		DIMENSION STYLE MM ONLY	SCALE ---	DESIGN UNITS METRIC	THIRD ANGLE PROJECTION
	10 UNDER	±0.2	DRAWN BY T.ASAKAWA	DATE 2004/06/22	TITLE EMBOSSSED TAPE FOR 500027-**69 -LEAD FREE-	
	10 OVER 30 UNDER	±0.25	CHECKED BY T.HIRATA	DATE 2004/06/22		
	30 OVER	±0.3	APPROVED BY M.SASAO	DATE 2004/06/22		
	ANGULAR	±3 °	MATERIAL NO.	DOCUMENT NO.	SHEET NO.	
DRAFT WHERE APPLICABLE MUST REMAIN WITHIN DIMENSIONS		SEE CHART	SD-500027-027	1 OF 2		
SIZE A3 THIS DRAWING CONTAINS INFORMATION THAT IS PROPRIETARY TO MOLEX INCORPORATED AND SHOULD NOT BE USED WITHOUT WRITTEN PERMISSION						



13.7	14.2	32	28.4	33.4	37.4	500027-6069	500027-6061	60
9.7	11.5	24	—#—	25.4	29.4	500027-4069	500027-4061	40
8.5	11.5	24	—#—	25.4	29.4	500027-3469	500027-3461	34
7.7	11.5	24	—#—	25.4	29.4	500027-3069	500027-3061	30
(A)	(B)	C	D	E	F	CONNECTOR	MATERIAL No.	CIRCUIT

REVISED EC NO: J2006-1200 DRW: T.ASAKAWA 2005/10/13 CHKD: THIRATA 2005/10/14 APPR: THIRATA 2005/10/18	GENERAL TOLERANCES (UNLESS SPECIFIED)		DIMENSION STYLE MM ONLY		SCALE ---	DESIGN UNITS METRIC	THIRD ANGLE PROJECTION	
	10 UNDER	±0.2	DRAWN BY T.ASAKAWA		DATE 2004/06/22		TITLE EMBOSSSED TAPE FOR 500027-***69 -LEAD FREE-	
	10 OVER 30 UNDER	±0.25	CHECKED BY T.HIRATA		DATE 2004/06/22		MOLEX INCORPORATED	
	30 OVER	±0.3	APPROVED BY M.SASAO		DATE 2004/06/22		DOCUMENT NO. SD-500027-027	
	ANGULAR	±3 °	MATERIAL NO. SEE CHART		SHEET NO. 2 OF 2			
	DRAFT WHERE APPLICABLE MUST REMAIN WITHIN DIMENSIONS		SIZE A3		THIS DRAWING CONTAINS INFORMATION THAT IS PROPRIETARY TO MOLEX INCORPORATED AND SHOULD NOT BE USED WITHOUT WRITTEN PERMISSION			