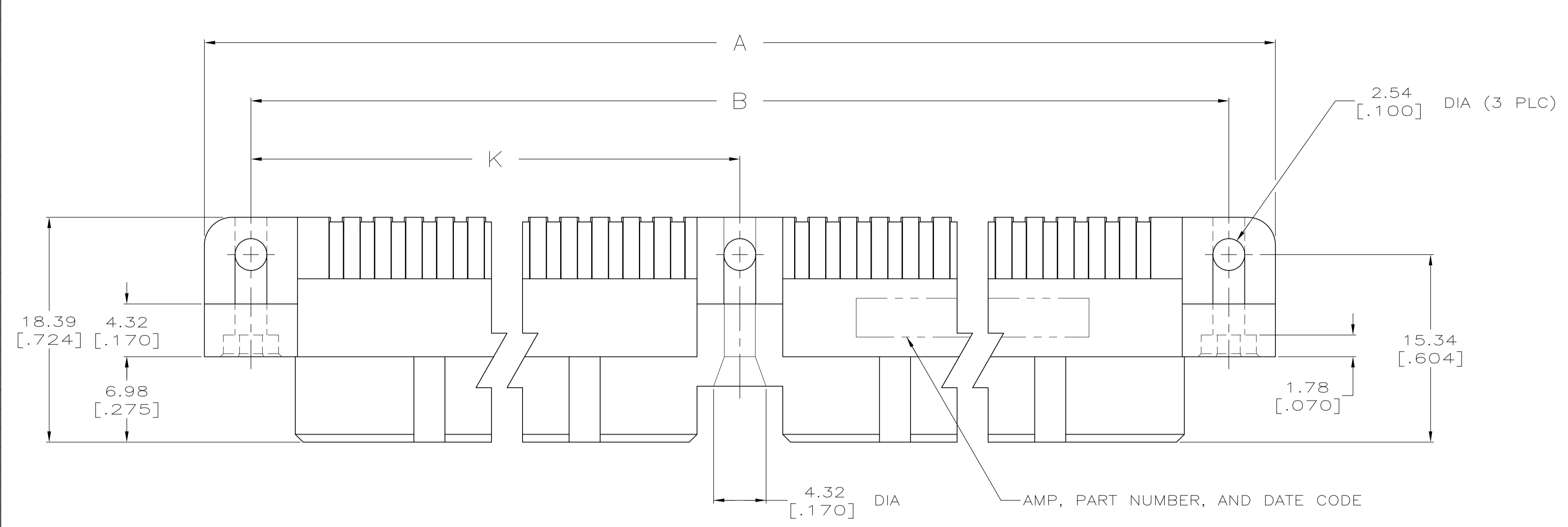
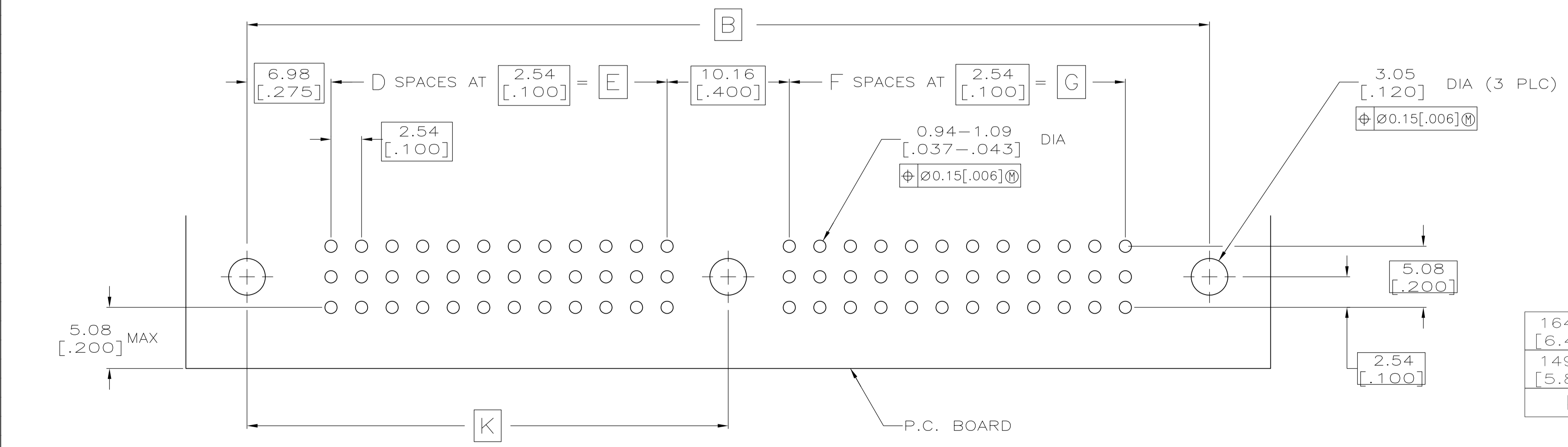
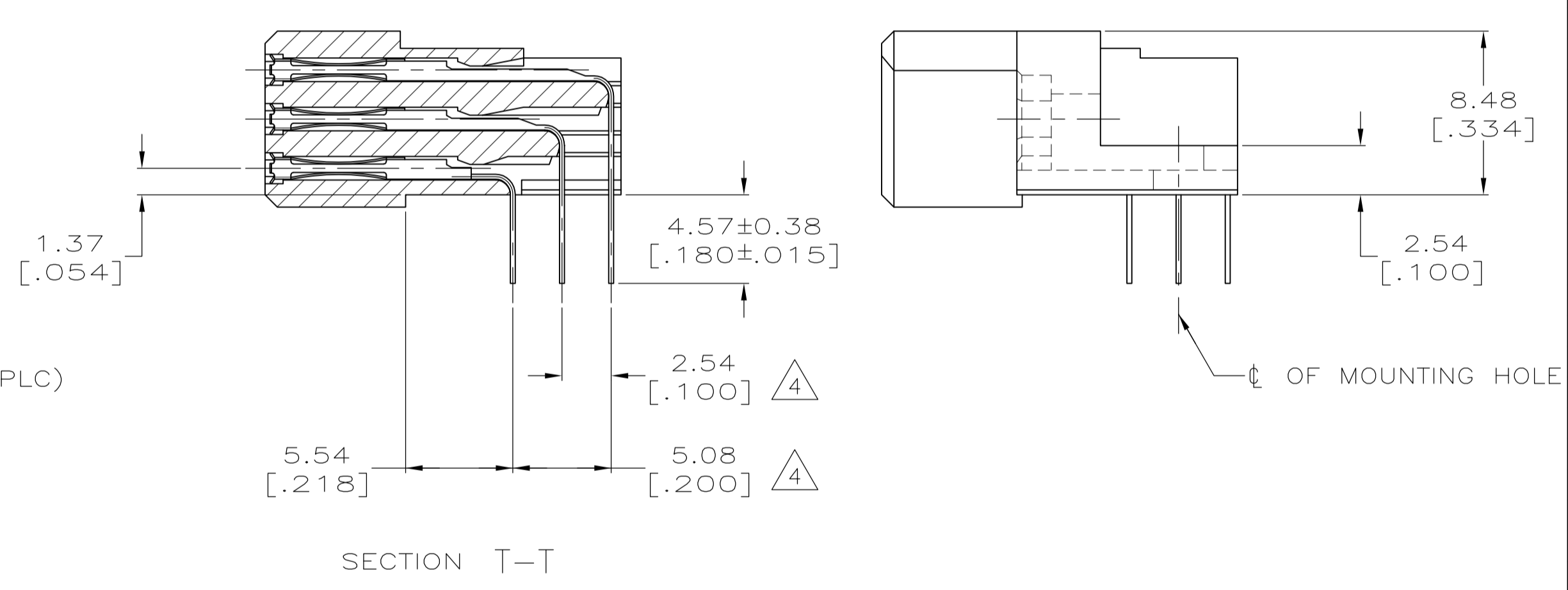
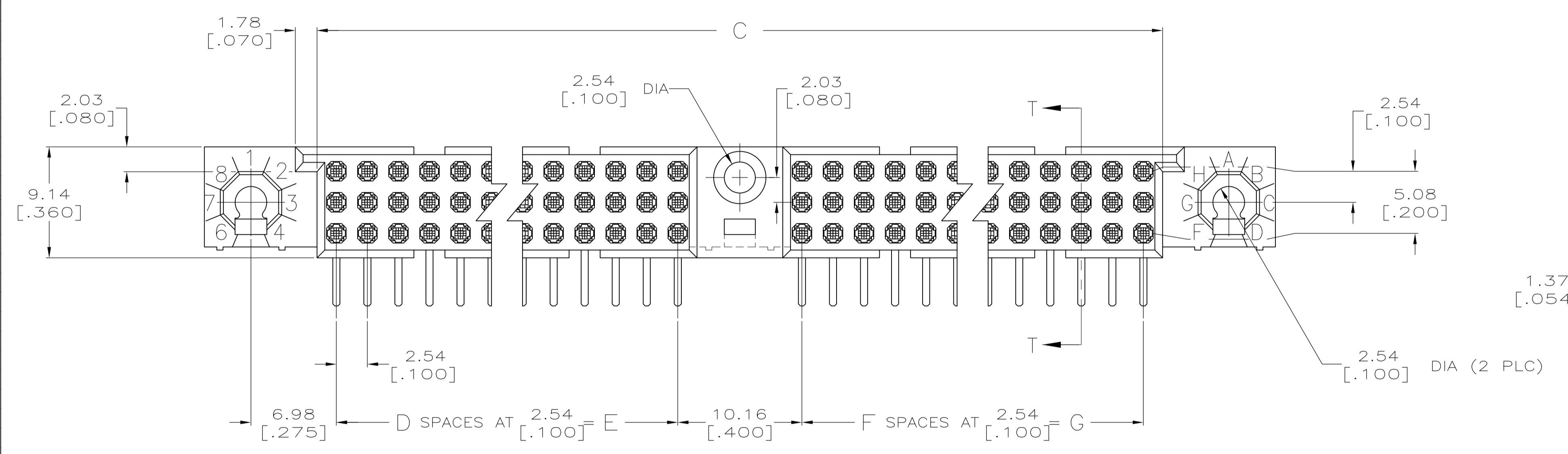


REVISIONS					
P	LTR	DESCRIPTION	DATE	DMN	APVD
A		REVISED PER ECO-15-015252	16NOV15	BJ	FY



- ① HOUSING MATERIAL: THERMOPLASTIC.
- ② CONTACT MATERIAL: COPPER ALLOY.
- ③ FINISH:  
MATING AREA: MEETS THE PERFORMANCE REQUIREMENTS OF PRODUCT SPECIFICATION 108-9063; BASED ON TELCORDIA DR-1217-CORE APPLICATIONS IN UNCONTROLLED ENVIRONMENTS.  
TIN PLATED SOLDER TAILS.
- ④ SOLDER TAILS MUST FIT HOLE PATTERN AS SHOWN ON THE RECOMMENDED P.C. BOARD LAYOUT.
- ⑤ OBSOLETE PARTS: OBSOLETE CIS STREAMLINING PER D.RENAUD/D.SINISI



164.46 [6.475]	152.40 [6.000]	60	152.40 [6.000]	60	318.11 [12.524]	328.93 [12.950]	336.55 [13.250]	366	⑤ -5532918-8-
149.22 [5.875]	137.16 [5.400]	54	137.16 [5.400]	54	287.63 [11.324]	298.45 [11.750]	306.07 [12.050]	330	5532918-6
K	G	F	E	D	C	B	A	POSN	PART NUMBER

THIS DRAWING IS A CONTROLLED DOCUMENT.

DIMENSIONS: mm [INCHES]	TOLERANCES UNLESS OTHERWISE SPECIFIED: 0 PLC ± - 1 PLC ± - 2 PLC ± 0.13[.005] 3 PLC ± - 4 PLC ± - ANGLES ± -	DIN J. POLIGNONE 10JUN05 CHK A. SHARPE 10JUN05 APVD A. SHARPE 10JUN05 PRODUCT SPEC APPLICATION SPEC SIZE WEIGHT	NAME ASSEMBLY, RECEPTACLE, RIGHT ANGLE, HDI, LEAD-FREE, 3 ROW, CENTER GUIDE, 4.57[.180] SOLDER POSTS	RESTRICTED TO
MATERIAL	FINISH	SIZE A1	CAGE CODE 00779	DRAWING NO 5532918
CUSTOMER DRAWING		SCALE 4:1	SHEET 1 of 1	REV A

STE TE Connectivity