

LAYOUT SHOWN AS EXAMPLE

Keying Shown as example

**CHARACTERISTICS**

- Standard : Based on MIL-DTL-38999 Series III
- Shell Material : Aluminium
- Shell Plating : Nickel
- Insulator : Thermoplastic
- Contacts : Copper Alloy
- Seals & Grommet : Silicon Elastomer
- Contact Plating : Gold over copper Alloy 0.8µm minimum
- Durability : 500 Mating cycles
- Delivered with Souriau contacts and Accessories
- Temperature Range : -65°C to +200°C
- Salt Spray : 48 hours
- Mass : 68.52 g ± 10%

Connector dimension	
Dim	Nominal
A	58.7±0.3
B	42.85+0.1/-0.15
R	32.5Max
S	55.6±0.4
W	3+0.9/-0.1
VV THREAD	M37x1-6g

SOURIAU shall not be liable for any non-conformity or damage due to a use of the Products which does not comply with the Specifications issued by either of the Parties or by a third party (professional recommendation, technical notice.)

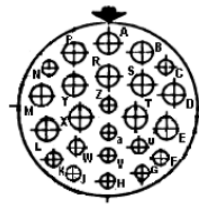
Country	Jurisdiction & Control List
FR	Not Listed

**PN: 8D725F24AA**

A	03-10-2016	First Release	
ISS	DATE	Latest modification - by	MOD N°
Designed By:		Date:	<b>CUSTOMER DRAWING</b>
<b>TITLE</b>	<b>Aluminium Receptacle 8D series</b>		
SCALE		General linear Tolerances:	NPRDS / PROJECT
NA		±--	<b>859</b>
<b>SOURIAU</b>	<b>WWW.SOURIAU.COM</b>		This document is the property of SOURIAU it must not be reproduced or communicated without permission
FORMAT	<b>SOURIAU DRG N° 8D725F24AA-C</b>		SHEET
<b>A3</b>			<b>1/2</b>

BASIC SERIES:	8D	7	-	25	F	24	A	A	ORIENTATION : A
SHELL TYPE :	Jam nut Receptacle								CONTACT TYPE : PIN(500 Matings)
CONTACT TYPE :	Standard Crimp Contact								CONTACT LAYOUT : 25-24
SHELL SIZE :	25								
PLATING :	F = Nickel								

Contact Layout

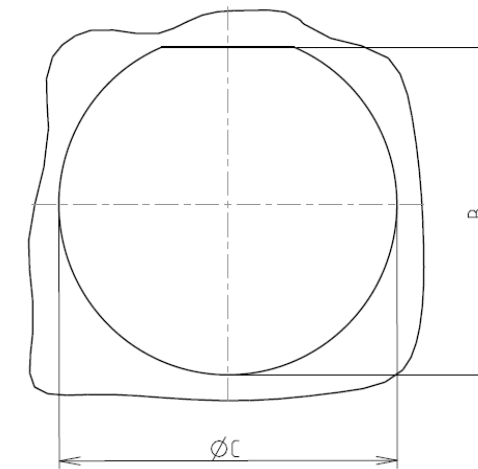


Contacts (Insert arrangement 25-24)					
Contact position ID	Location		Contact position ID	Location	
	X-axis	Y-axis		X-axis	Y-axis
A	+000 (0.00)	+472 (11.99)	N	-403 (10.24)	+298 (7.57)
B	+230 (5.84)	+410 (10.41)	P	-230 (5.84)	+410 (10.41)
C	+403 (10.24)	+298 (7.57)	R	+000 (0.00)	+234 (5.94)
D	+461 (11.71)	+100 (2.54)	S	+230 (5.84)	+172 (4.37)
E	+413 (10.49)	-134 (3.40)	T	+186 (4.72)	-062 (1.57)
F	-370 (9.40)	-336 (8.53)	U	-211 (5.36)	-267 (6.78)
G	+230 (5.84)	-441 (11.20)	V	+000 (0.00)	-323 (8.20)
H	+000 (0.00)	-495 (12.57)	W	-211 (5.36)	-267 (6.78)
J	-230 (5.84)	-441 (11.20)	X	-186 (4.72)	-062 (1.57)
K	-370 (9.40)	-336 (8.53)	Y	-230 (5.84)	+172 (4.37)
L	-413 (10.49)	-134 (3.40)	Z	+000 (0.00)	+028 (0.71)
M	-461 (11.71)	+100 (2.54)	a	+000 (0.00)	-151 (3.84)

Shell size	Arrangement no.	Number of contacts	Size contacts	Service rating	Contact location
25	-24	12	12	I	A,B,D,E,L,M P,R,S,T,X,Y
		12	16		All others

Panel cutout

JAM NUT RECEPTACLE (TYPE 7)



Dim	Nominal
B	43.43+0/-0.25
ØC	44.7+0.25/-0

SOURIAU shall not be liable for any non-conformity or damage due to a use of the Products which does not comply with the Specifications issued by either of the Parties or by a third party (professional recommendation, technical notice.)

Country	Jurisdiction & Control List
FR	Not Listed

PN: 8D725F24AA

A	03-10-2016	First Release	
ISS	DATE	Latest modification - by	MOD N°
Designed By:		Date:	<b>CUSTOMER DRAWING</b>
<b>TITLE</b>	Aluminium Receptacle 8D series		
SCALE		General linear Tolerances:	NPRDS / PROJECT
NA		±--	<b>859</b>
<b>SOURIAU</b>	<b>WWW.SOURIAU.COM</b>		This document is the property of SOURIAU it must not be reproduced or communicated without permission
FORMAT	<b>SOURIAU DRG N° 8D725F24AA-C</b>		SHEET 2/2