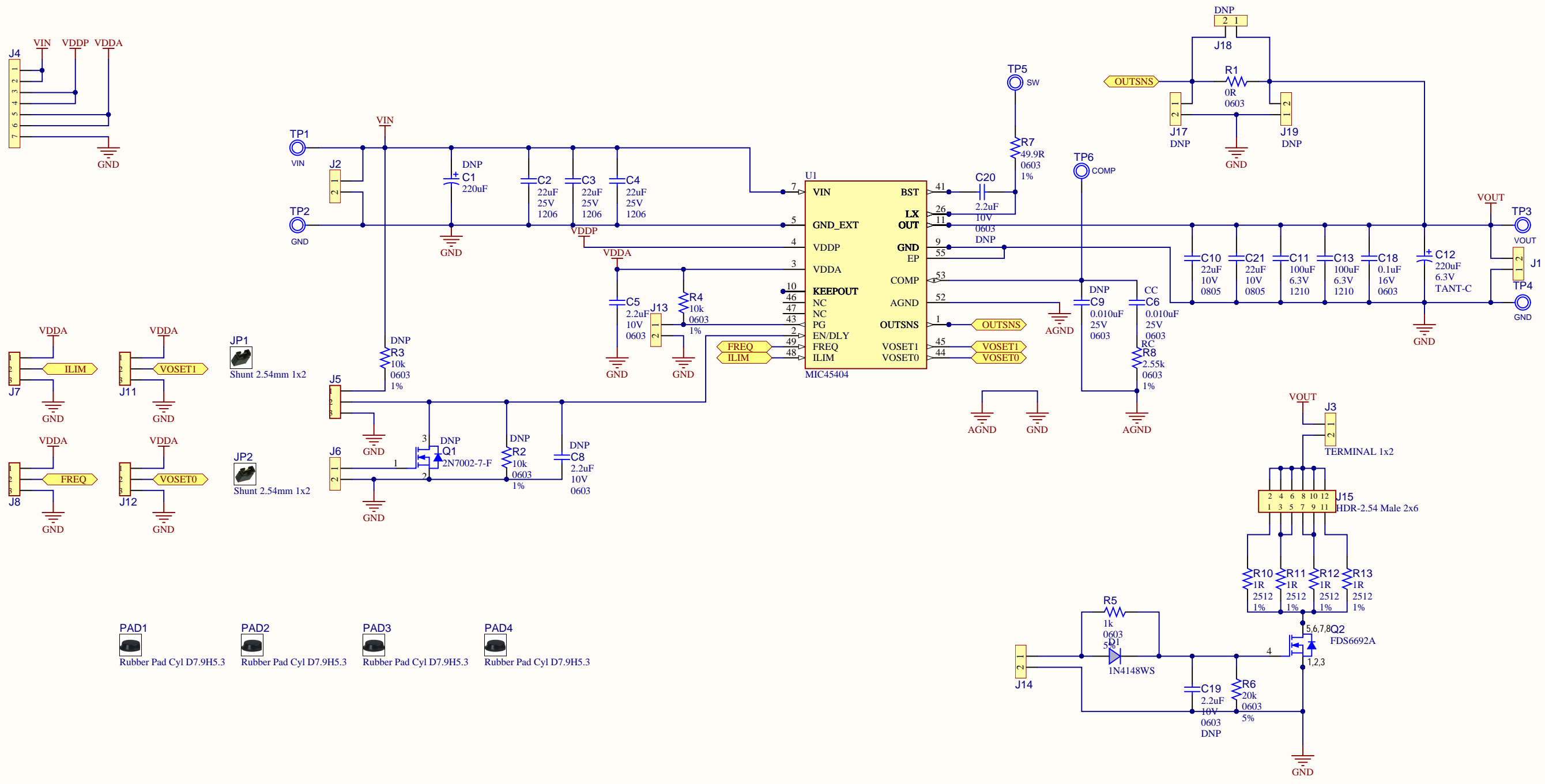


REV	ECO#	DESCRIPTION	DATE



LABEL1  
Need Help?  
MICROCHIP <http://support.microchip.com>  
Assy# Serial #  
Label Need Help Large

Drawn By: Mihai Tanase	
Engineer: Mihai Tanase	
PartNumber: ADM00809	Project Title <b>MIC45404 Evaluation Board</b>
Sheet Title <b>MIC45404 Evaluation Board Schematic</b>	
Size B	Sch #03-10620 Revision:1
Date: 11/24/2016 11:27:31 AM	Sheet 1 of 1
File: B_Microchip.SchDoc	

Designed with Altium.com