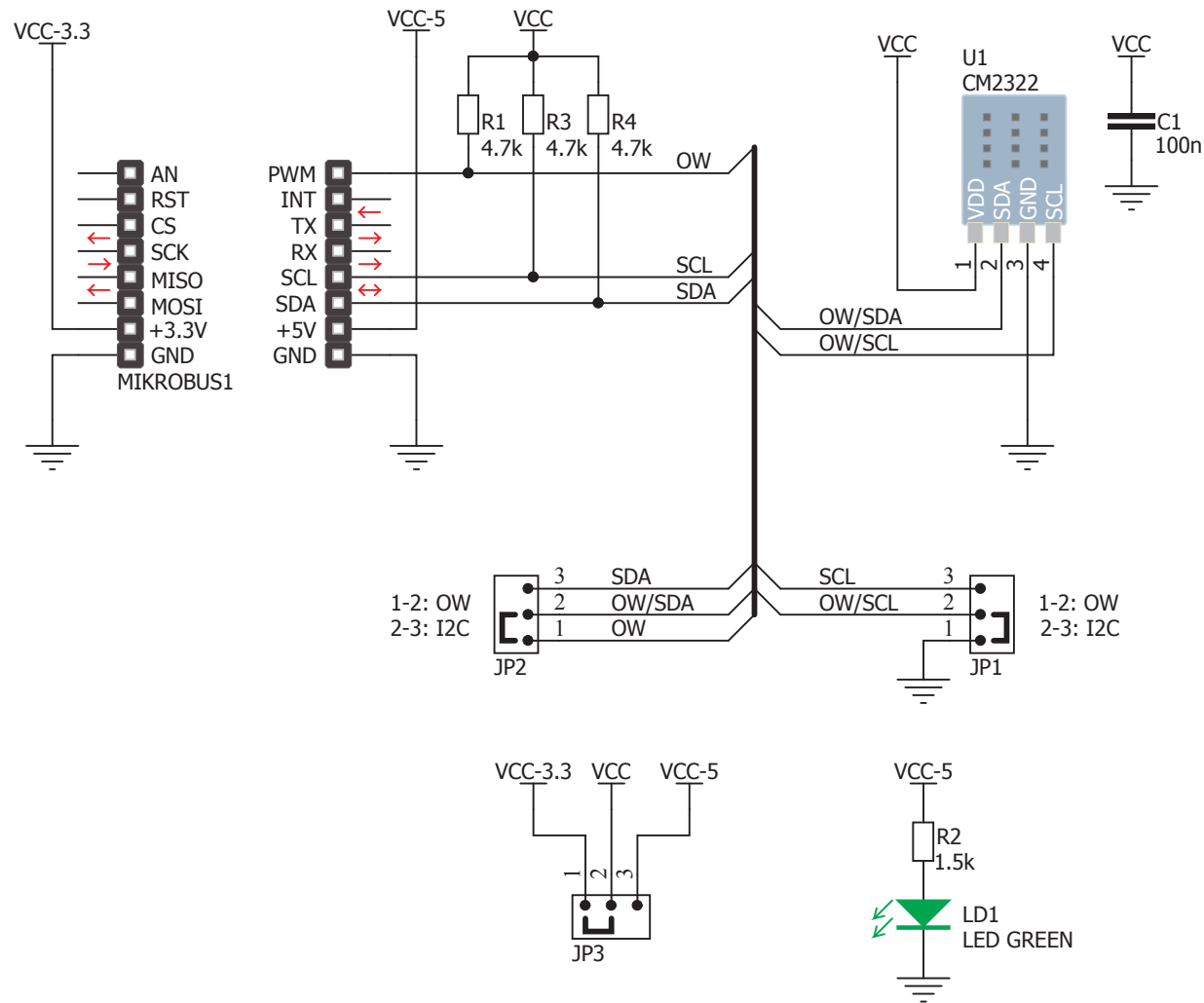


DHT22-2 click schematic v101



www.mikroe.com