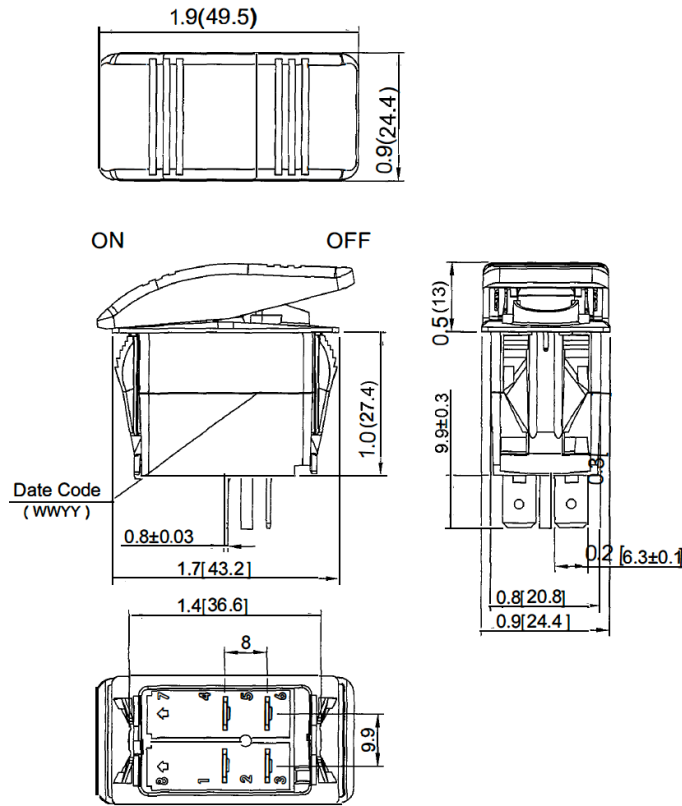
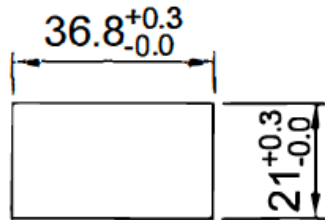


Mechanical Dimensions: Inches [mm]

Tolerances  $\pm 0.012$  [0.3] Unless Otherwise Specified



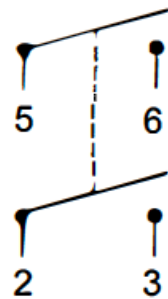
Mounting Hole



Thickness: [1.0-5.0] max

Circuit Diagram

4P DPST OFF-ON



Electrical Specifications

Rating	21A 14V DC
Contact Resistance	50m ohm Max.
Insulation Resistance	DC 500V 100M ohm Min.
Dielectric Strength	AC 1500V 1 minute
Operation Temperature	-25°C~85°C

Material Specifications

Frame	Black   Nylon 66 (94V-2)
Actuator	Red   Nylon 66 (94V-2)
Waterproof	IP56
Terminals	Silver plated copper

Rev	Date of issue	Revision Notes	Designed	Approved
A	06-10-2019	Initial Drawing	RC	OH