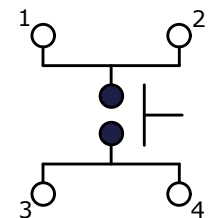
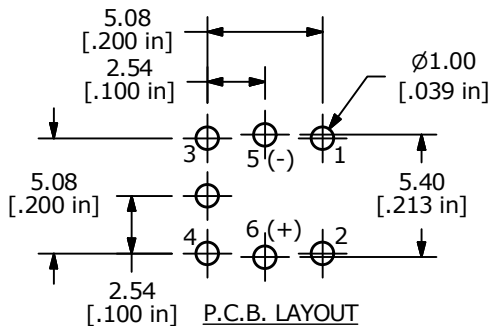


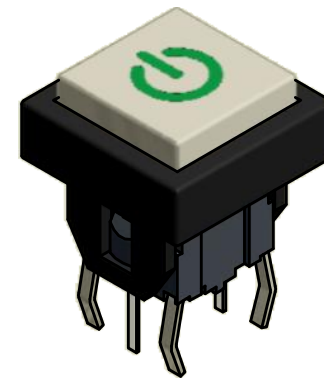
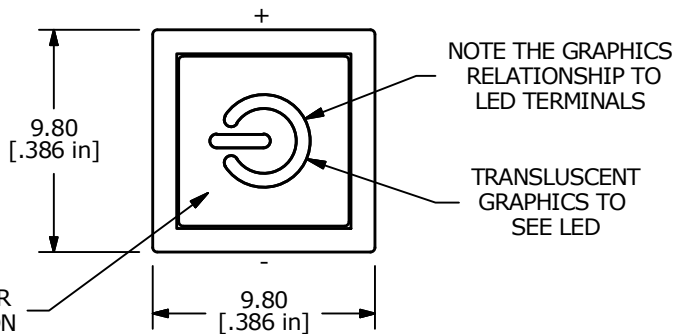
▲ LED SPECS	UNITS	GREEN
FORWARD CURRENT	mA	20
FORWARD VOLTAGE @ 20mA	V	2.1 typ. -2.5 max.
LUMINOUS INTENSITY @ 20mA	mcd	55 typ.



▲ CIRCUIT: SPST

NOTES:

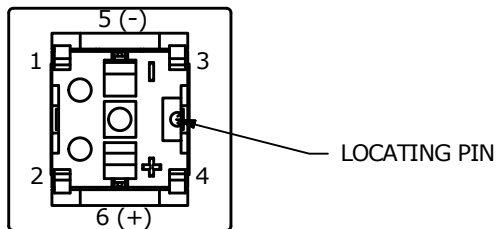
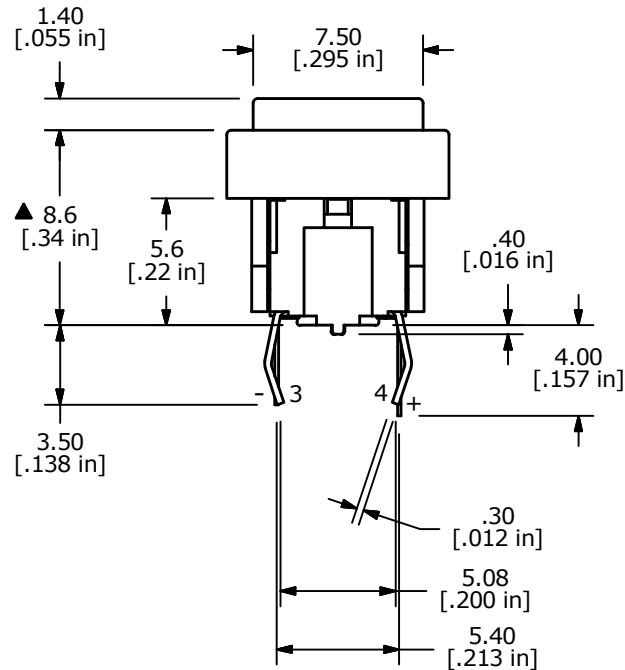
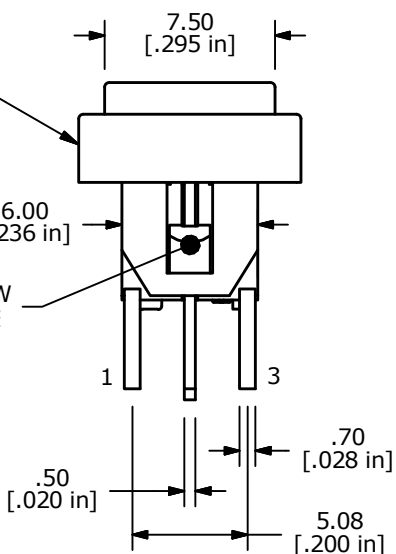
1. ALL DIMENSIONS IN MM [INCH]
2. GENERAL TOLERANCE: X.X=±0.4  
X.XX=±0.25
3. RATING: 12VDC @ 50mA
4. CONTACT RESISTANCE: 100mΩ MAX.
5. INSULATION RESISTANCE: 100MΩ MIN.
- ▲ 6. OPERATING FORCE: 180± 50gf
7. TRAVEL: 0.2± 0.1mm
8. OPERATING TEMPERATURE: -40°C TO 85°C
9. OPERATING LIFE: 500,000 CYCLES
- ▲ 10. LED: GREEN
11. ▲ DENOTES CRITICAL PARAMETERS
12. 2002/95/EC (ROHS) COMPLIANT
13. PARTS TO BE PACKAGED 100 PARTS PER TRAY.



▲ SILVER BUTTON

▲ BLACK BEZEL

MARK TO SHOW LED CATHODE



D	22268	UPDATE DRAWING	5/6/15	MW
C	20093	CORRECT LED NOTE	08/11/11	BMA
B	19951	CORRECT DRAWING TITLE	05/16/11	BMA
A	19048	Release For Production	5/3/10	BLR
REV	PCR NO	DESCRIPTION	DATE	BY



TITLE TL1220S1BBSSG-POWER

SCALE	DATE	DR	DWG	REV
3:1	5/3/2010	BLR	B260011	D