

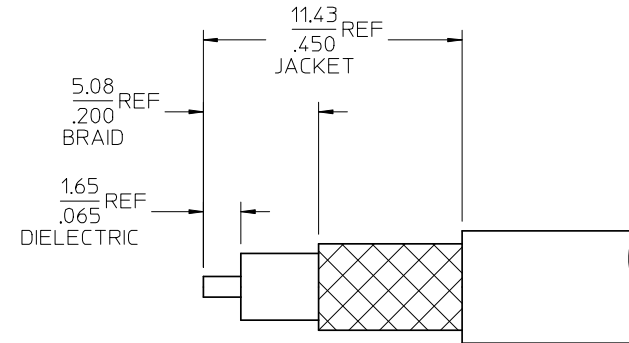
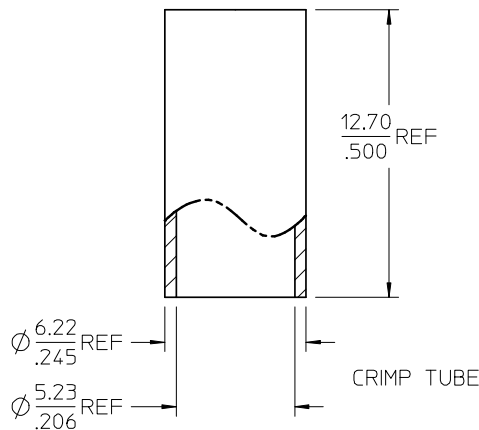
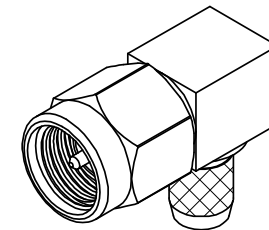
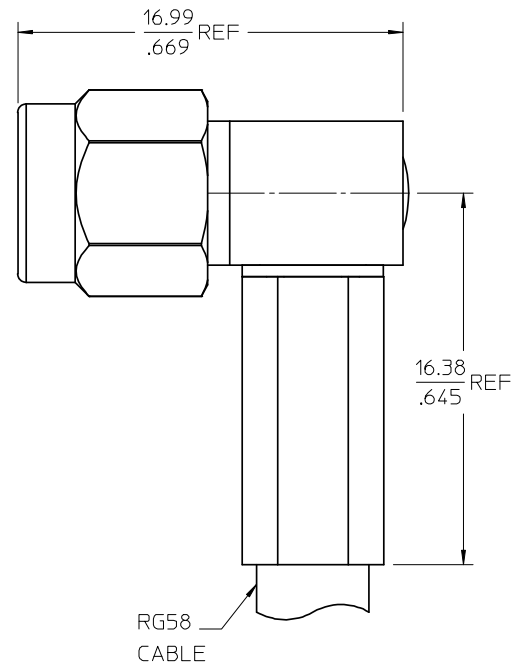
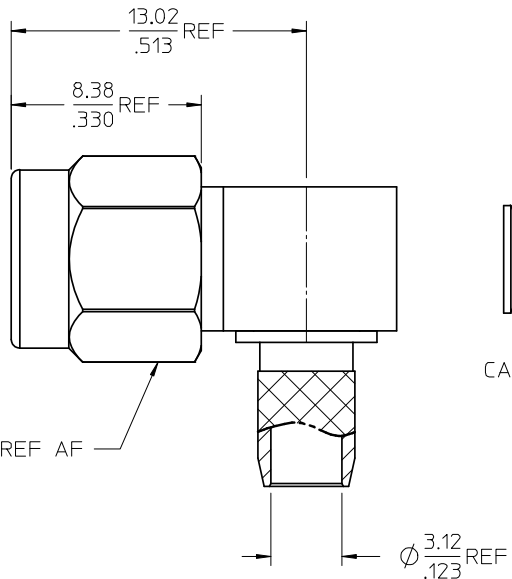
MATERIALS AND FINISHES

BODY, CRIMP TUBE, CAP BRASS
PLATED GOLD

CENTER CONTACT PHOSPHOR BRONZE
PLATED GOLD

INSULATOR TEFLON

COUPLING NUT ST. STEEL
PLATED GOLD



RECOMMENDED STRIPPING DIMENSION
CRIMP HEX SIZE 4.52(.178)

PART # 73251-2340

| | |
|--------------------------|-------------|
| MIL-STD-348A, FIG. 310-1 | INTERFACE |
| SPECIFICATION | DESCRIPTION |

| | | | | | | | |
|--|-------------------------------|---|--|---|---|------------------------|------------------------|
| CHG: NEW RELEASE EC NO: URF-2008-0370 DRW:SSHAH 2008/01/18 CHKD:ROBERTSON 2008/01/18 APPR:JWENER 2008/01/18 | QUALITY SYMBOLS ▽=0 ▽=0 | GENERAL TOLERANCES (UNLESS SPECIFIED) | | DIMENSION STYLE MM/IN | SCALE | DESIGN UNITS METRIC | THIRD ANGLE PROJECTION |
| | | 4 PLACES ± --- ± --- 3 PLACES ± --- ± --- 2 PLACES ± --- ± --- 1 PLACE ± --- ± --- | DRAWN BY SSS DATE 2007/01/18 | CHECKED BY AZR DATE 2007/01/18 | TITLE SMA PLUG, R/A, RG58 50 OHMS SMA-PC/RA | | |
| | | ANGULAR ± 2 ° | APPROVED BY JDW DATE 2007/01/18 | MATERIAL NO. 732512340 | DOCUMENT NO. SD-73251-234 | | |
| | | DRAFT WHERE APPLICABLE MUST REMAIN WITHIN DIMENSIONS | SIZE C | THIS DRAWING CONTAINS INFORMATION THAT IS PROPRIETARY TO MOLEX INCORPORATED AND SHOULD NOT BE USED WITHOUT WRITTEN PERMISSION | SHEET NO. 1 OF 1 | | |

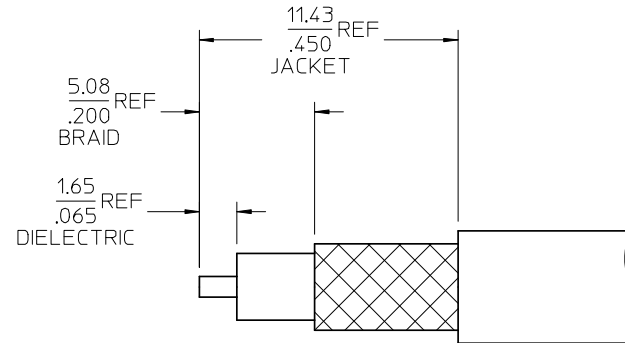
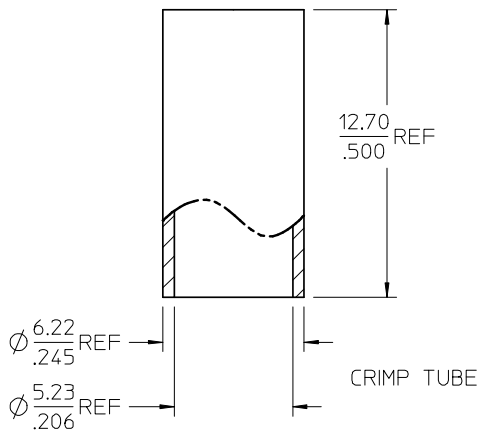
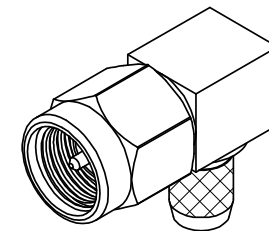
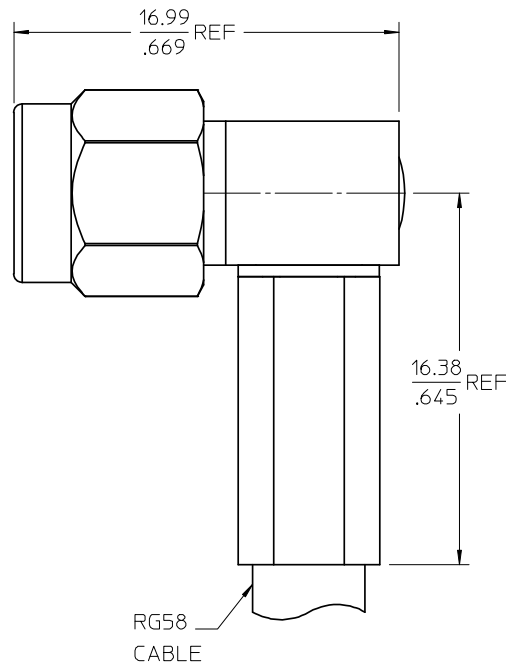
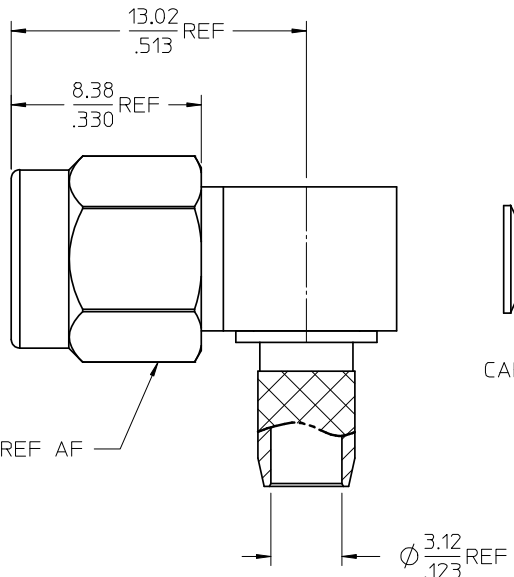
MATERIALS AND FINISHES

BODY, CRIMP TUBE, CAP BRASS
PLATED GOLD

CENTER CONTACT PHOSPHOR BRONZE
PLATED GOLD

INSULATOR TEFLON

COUPLING NUT ST. STEEL
PLATED GOLD



PART # 73251-2340

RECOMMENDED STRIPPING DIMENSION
CRIMP HEX SIZE 4.52(.178)

| | |
|--------------------------|-------------|
| MIL-STD-348A, FIG. 310-1 | INTERFACE |
| SPECIFICATION | DESCRIPTION |

| | |
|---|-----------------|
| CHG: NEW RELEASE EC NO: URF-2008-0370 DRW:SSHAH 2008/01/18 CHKD:ROBERTSON 2008/01/18 APPR:JWENER 2008/01/18 | QUALITY SYMBOLS |
| | ▼=0 ▽=0 |
| | DESCRIPTION |
| | REV |

| | |
|--|---------|
| GENERAL TOLERANCES (UNLESS SPECIFIED) | |
| mm | INCH |
| 4 PLACES ± .005 | ± .0005 |
| 3 PLACES ± .003 | ± .0003 |
| 2 PLACES ± .002 | ± .0002 |
| 1 PLACE ± .001 | ± .0001 |
| ANGULAR ± 2° | |
| DRAFT WHERE APPLICABLE MUST REMAIN WITHIN DIMENSIONS | |

| | |
|-----------------------|------------|
| DIMENSION STYLE MM/IN | |
| DRAWN BY | DATE |
| SSS | 2007/01/18 |
| CHECKED BY | DATE |
| AZR | 2007/01/18 |
| APPROVED BY | DATE |
| JDW | 2007/01/18 |
| MATERIAL NO. | |
| 732512340 | |
| SIZE | |
| C | |

| | | |
|---|--------------|------------------------|
| SCALE | DESIGN UNITS | THIRD ANGLE PROJECTION |
| | METRIC | |
| TITLE | | |
| SMA PLUG, R/A, RG58 50 OHMS SMA-PC/RA | | |
| MOLEX INCORPORATED | | SHEET NO. |
| SD-73251-234 | | 1 OF 1 |
| THIS DRAWING CONTAINS INFORMATION THAT IS PROPRIETARY TO MOLEX INCORPORATED AND SHOULD NOT BE USED WITHOUT WRITTEN PERMISSION | | |