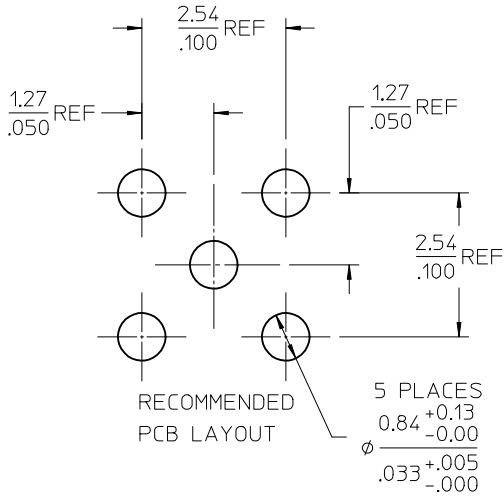
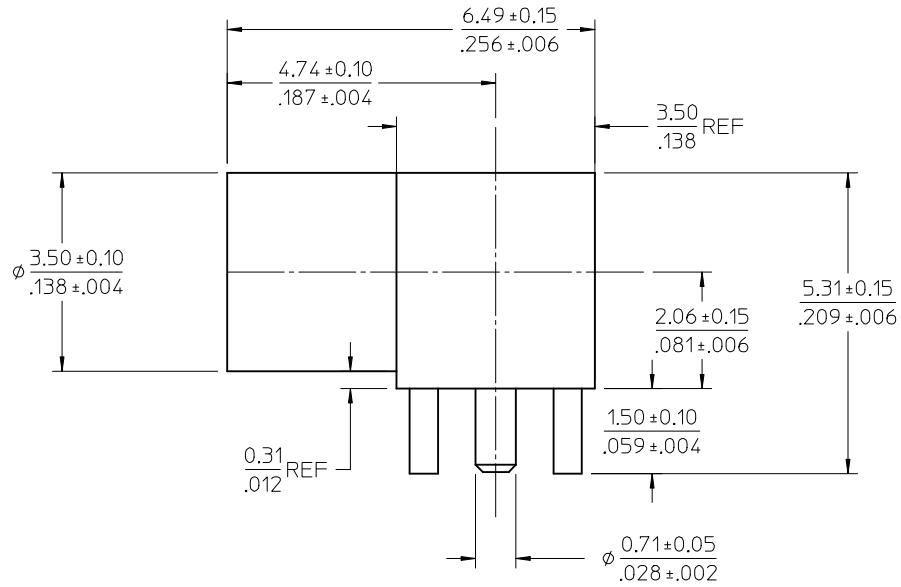
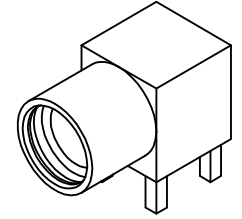


MATERIALS AND FINISHES

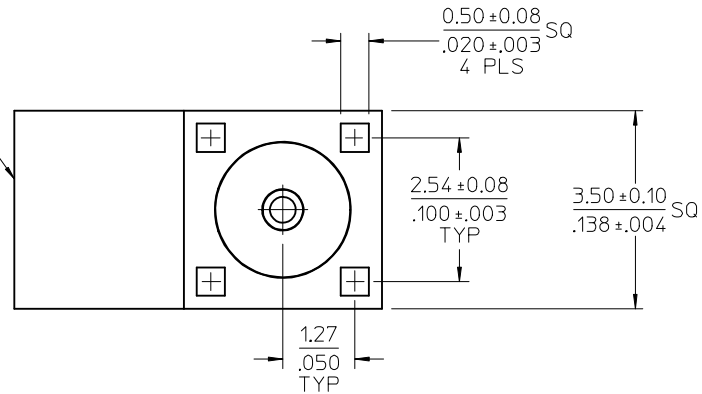
BODY: BRASS
PLATED GOLD

CENTER: CONTACT BERYLLIUM COPPER
PLATED GOLD

INSULATOR: TEFLON



MMCX JACK INTERFACE



73414-0741	TAPE & REEL
73414-0740	BULK
PART NO.	PACKING

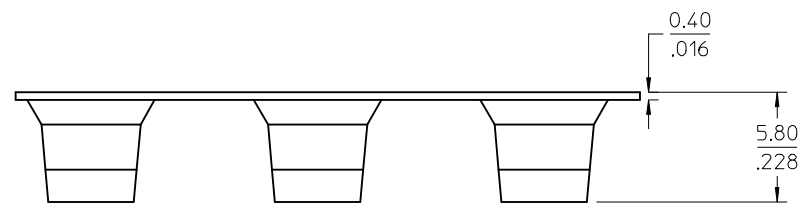
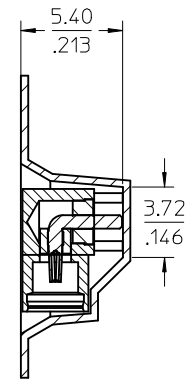
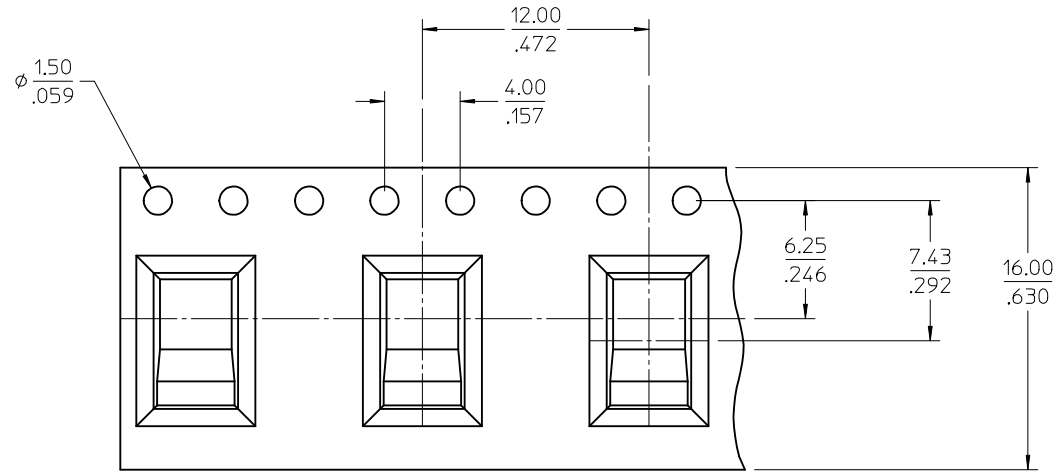
PS-89675-1920	ELECTRICAL/MECHANICAL
SPECIFICATION	DESCRIPTION

CHG: PACKING QTY REVISE PDR15031883	EC NO: URF2015-0568	2015/04/15
	DRWN: YCHENG	2015/04/15
CHKD:	APPR: YCHENG	2015/04/17
REV: A2	DESCRIPTION	

QUALITY SYMBOLS	GENERAL TOLERANCES (UNLESS SPECIFIED)	
		mm INCH
	4 PLACES	± --- ± ---
	3 PLACES	± --- ± ---
	2 PLACES	± --- ± ---
1 PLACE	± --- ± ---	
0 PLACE	± --- ± ---	
	ANGULAR ± 2 °	
	DRAFT WHERE APPLICABLE MUST REMAIN WITHIN DIMENSIONS	

DIMENSION STYLE		SCALE
MM/IN		DESIGN UNITS
DRAWN BY		METRIC
DATE		THIRD ANGLE PROJECTION
YCHENG		
2015/03/05		
CHECKED BY		TITLE
DATE		MMCX JACK R/A PCB 500HM
ALEX		MMCX-J/PCB
2015/03/05		
APPROVED BY		
DATE		
YCHENG		
2015/03/16		
MATERIAL NO.		DOCUMENT NO.
SEE TABLE		SD-73414-074
SIZE		SHEET NO.
C		1 OF 3

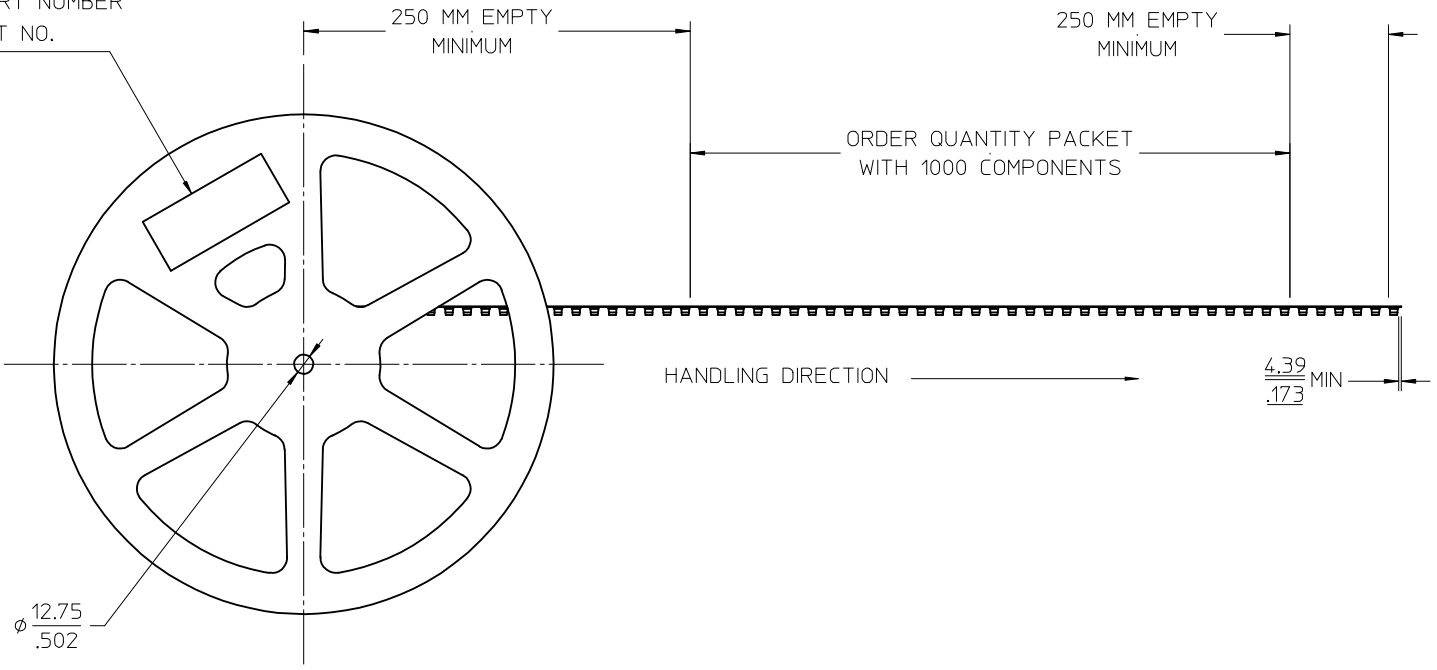
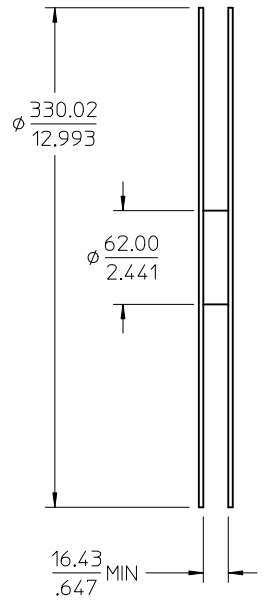
THIS DRAWING CONTAINS INFORMATION THAT IS PROPRIETARY TO MOLEX INCORPORATED AND SHOULD NOT BE USED WITHOUT WRITTEN PERMISSION	
-------------------------------------------------------------------------------------------------------------------------------	--



PACKING DESCRIPTION :
 1. MATERIAL : PS BLACK-THICKNESS : 0.40±0.05 MM

SEE SHEET 1 EC NO: URF2015-0568 DRWN: YCHENG 2015/04/15 CHKD: APPR: YCHENG 2015/04/17	QUALITY SYMBOLS ▽=0 ▽=0 ▽=0	GENERAL TOLERANCES (UNLESS SPECIFIED)		DIMENSION STYLE	SCALE	DESIGN UNITS	THIRD ANGLE PROJECTION	
				MM/IN		METRIC		
				DRAWN BY	DATE	TITLE		
				CHECKED BY	DATE	MMCX JACK R/A PCB 500HM MMCX-J/PCB		
		ANGULAR ± 2°		APPROVED BY	DATE	DOCUMENT NO.		
		DRAFT WHERE APPLICABLE MUST REMAIN WITHIN DIMENSIONS		YCHENG	2015/03/16	SD-73414-074		
				SEE SHEET 1		SHEET NO. 2 OF 3		
				THIS DRAWING CONTAINS INFORMATION THAT IS PROPRIETARY TO MOLEX INCORPORATED AND SHOULD NOT BE USED WITHOUT WRITTEN PERMISSION				

LABEL:
 -ORDER NO.
 -QUANTITY
 -PART NUMBER
 -LOT NO.



PACKING DESCRIPTION :
 1. COMPONENT LOAD PER 13" REEL : 1000 PCS
 2. DIMENSION ARE PROVIDED FOR REFERENCE ONLY

SEE SHEET 1 EC NO: URF2015-0568 DRWN: YCHENG 2015/04/15 CHKD: APPR: YCHENG 2015/04/17	DESCRIPTION REV:	QUALITY SYMBOLS	GENERAL TOLERANCES (UNLESS SPECIFIED)	DIMENSION STYLE	SCALE	DESIGN UNITS	THIRD ANGLE PROJECTION
		∇=0 ∇=0 ∇=0	mm INCH 4 PLACES ± --- ± --- 3 PLACES ± --- ± --- 2 PLACES ± --- ± --- 1 PLACE ± --- ± --- 0 PLACE ± --- ± ---	MM/IN	METRIC	DRAWN BY DATE YCHENG 2015/03/05 CHECKED BY DATE ALEX 2015/03/05 APPROVED BY DATE YCHENG 2015/03/16	TITLE MMCX JACK R/A PCB 500HM MMCX-J/PCB
		ANGULAR ± 2 ° DRAFT WHERE APPLICABLE MUST REMAIN WITHIN DIMENSIONS	MATERIAL NO. SEE SHEET 1	DOCUMENT NO. SD-73414-074	SHEET NO. 3 OF 3		
		THIS DRAWING CONTAINS INFORMATION THAT IS PROPRIETARY TO MOLEX INCORPORATED AND SHOULD NOT BE USED WITHOUT WRITTEN PERMISSION					