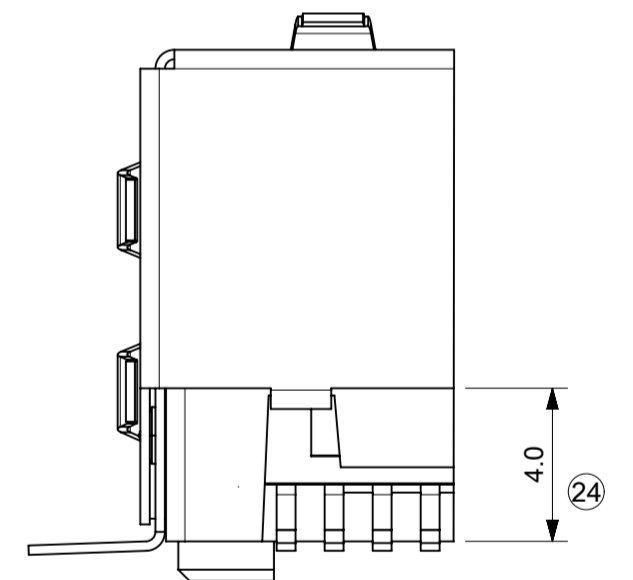
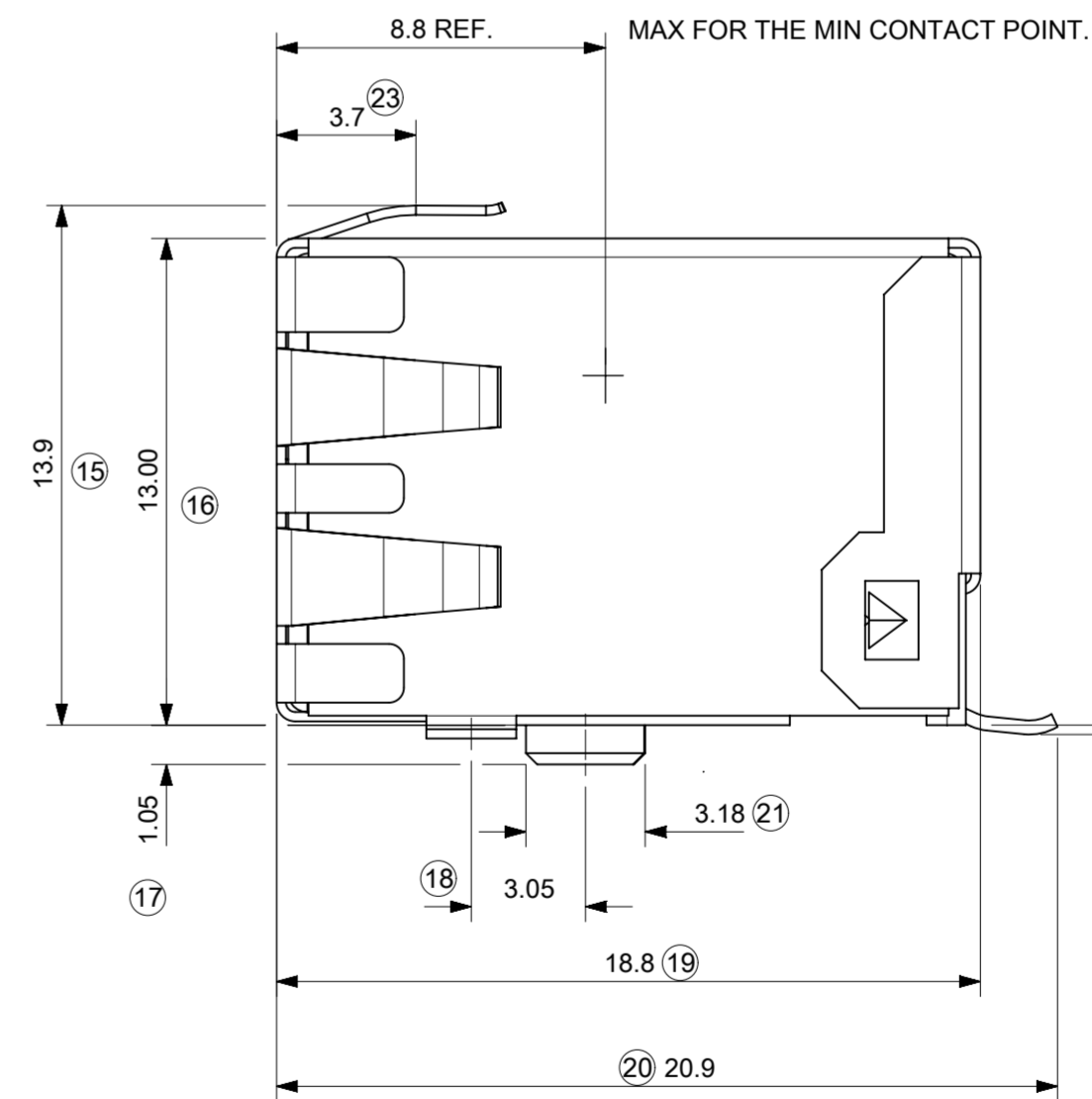
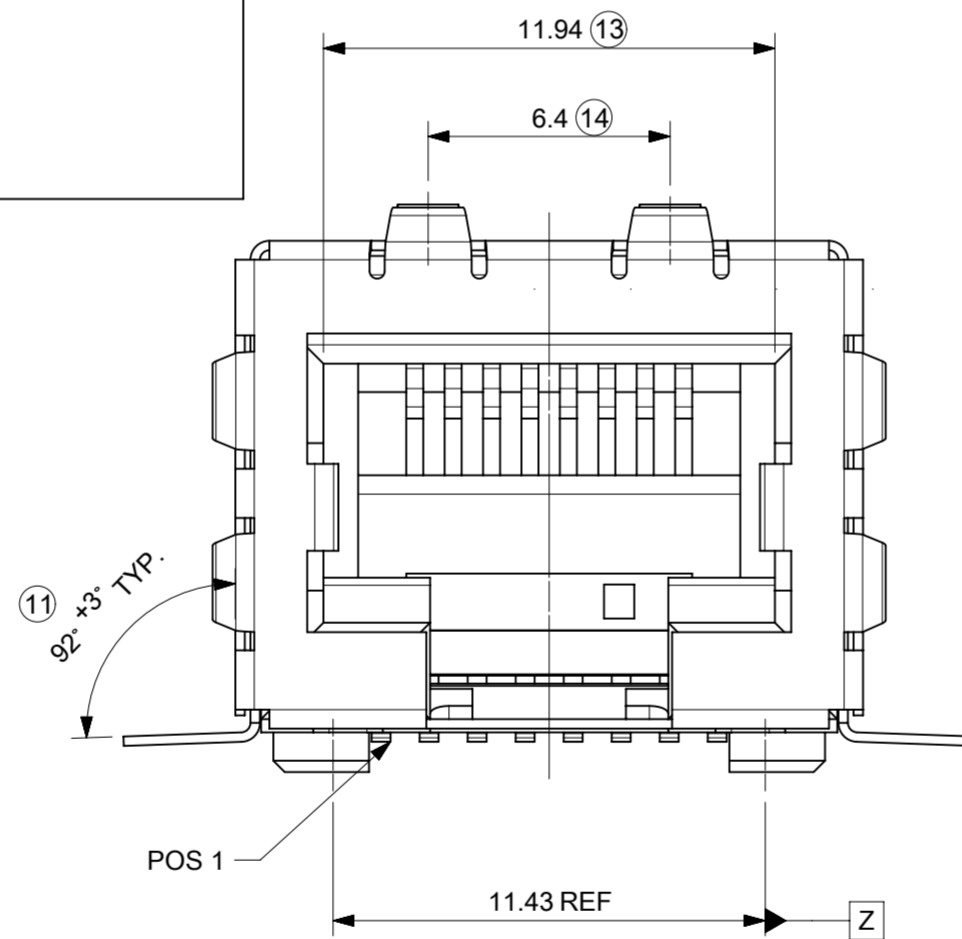
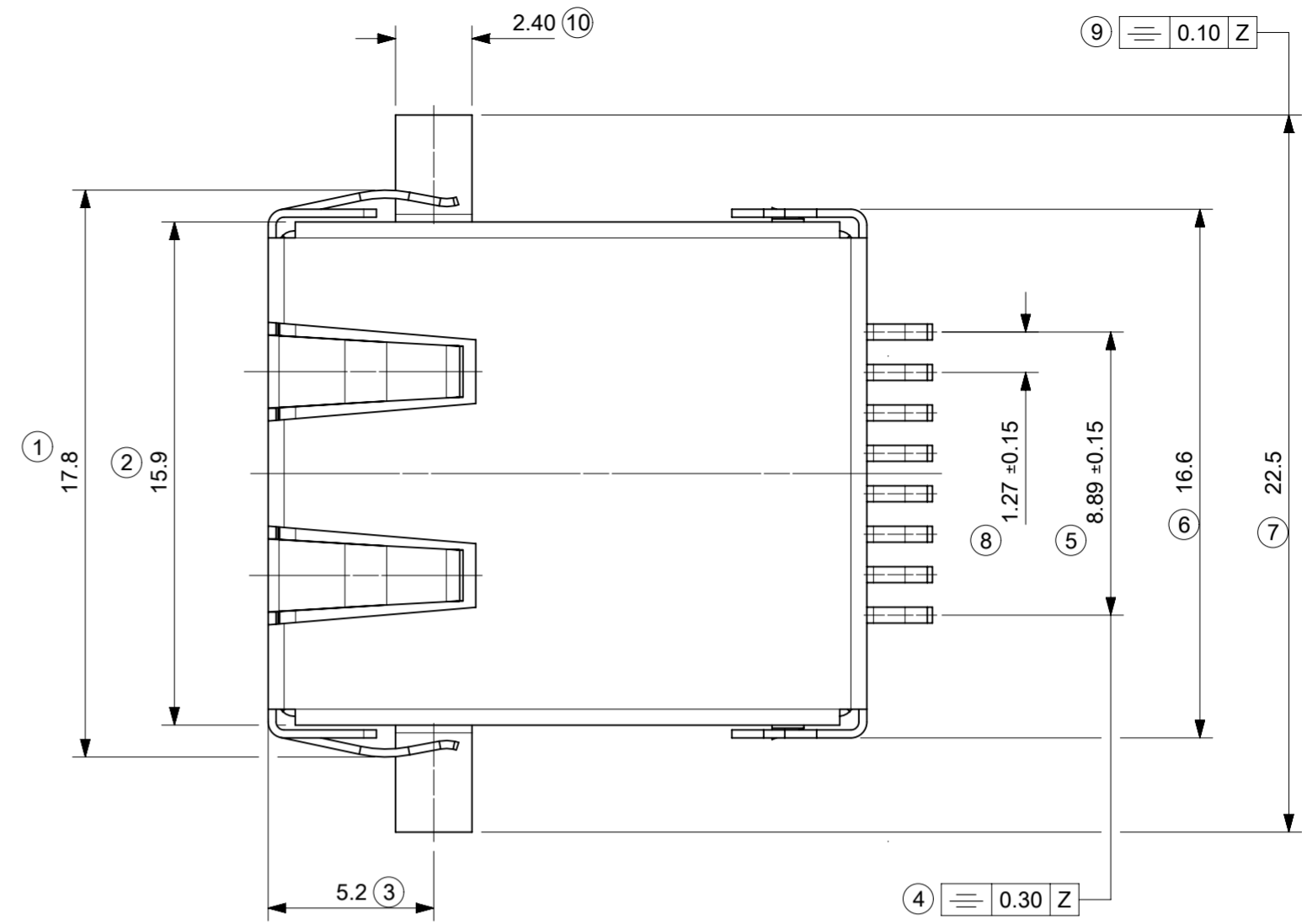
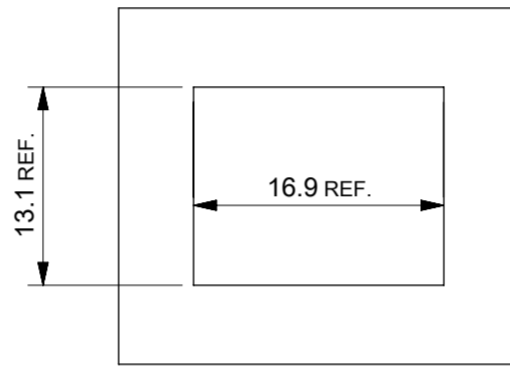


RECOMMENDED P.C.B. LAYOUT
VIEW FROM COMPONENT SIDE
ALL DIMENSIONS REF DIMENSIONS

SUGGESTED PANEL CUTOUT
SCALE 2:1



PARTIAL 1
SCALE 5:1

PART NO.	PLATING
85542-7001	7

- NOTES:
- 1 JACK FOR MATING WITH SHIELDED PLUG (MOLEX 95043 SERIES)
 - 2 PRODUCT SPECIFICATION: PS-95622-001
 - 3 PACKAGING SPECIFICATION: PK-85542-002 (BLISTER ON REEL)
 - ④ 4 COPLANARITY OF SIGNAL LEADS: 0.10 MAX
 - 5 RECOMMENDED PCB THICKNESS 1.57

LAST INSPECTION No.: 25
REMOVED INSPECTION NO: 12

TECHNICAL SPECIFICATIONS:

MATERIAL:
HOUSING: LCP GLASS FILLED UL 94V0, COLOR BLACK.
TERMINAL: COPPER ALLOY PLATED WITH:
PLATING 7: POST PLATE 0.00005 MIN GOLD FLASH OVER
0.00060 MIN PALLADIUM-NICKEL IN CONTACT AREA,
0.00190 MIN PURE TIN IN TAIL AREA,
BOTH OVER 0.00127 MIN NICKEL OVERALL.
SHIELD: BRASS PLATED WITH 0.0020 MIN TIN.

THIS DRAWING CONTAINS INFORMATION THAT IS PROPRIETARY TO MOLEX ELECTRONIC TECHNOLOGIES, LLC AND SHOULD NOT BE USED WITHOUT WRITTEN PERMISSION

DIMENSION UNITS	SCALE	CURRENT REV DESC: ADDED PANEL CUTOUT						
mm	5:1							
GENERAL TOLERANCES (UNLESS SPECIFIED)				<p>FULLY SHIELDED TRUE SMT R/A MOD JACK 8 CCT</p> <p>PRODUCT CUSTOMER DRAWING</p>				
ANGULAR TOL	± 0.5°	EC NO: 735778						
4 PLACES	±	DRWN: DBYRNES	2022/11/21					
3 PLACES	±	CHK'D: KLANG	2023/01/27					
2 PLACES	± 0.25	APPR: KLANG	2023/01/27					
1 PLACE	± 0.35	INITIAL REVISION:		DOCUMENT NUMBER		DOC TYPE	DOC PART	REVISION
0 PLACES	±	DRWN: DBYRNES	2006/09/21	SD-85542-501		PSD	001	C2
DRAFT WHERE APPLICABLE MUST REMAIN WITHIN DIMENSIONS		THIRD ANGLE PROJECTION	DRAWING	SERIES	MATERIAL NUMBER	CUSTOMER		SHEET NUMBER
			A2-SIZE	85542	SEE CHART	GENERAL MARKET		1 OF 1