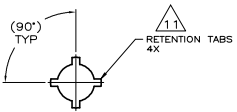
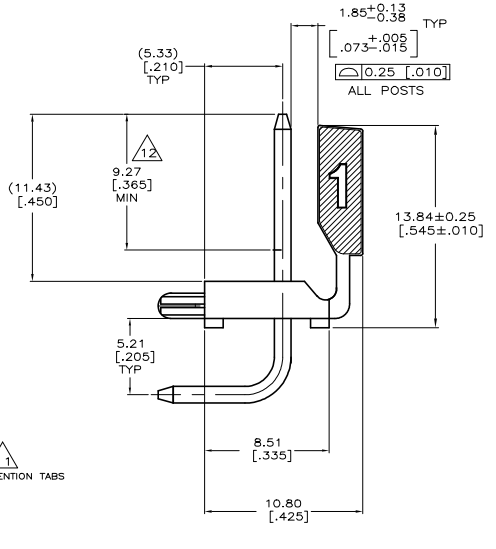
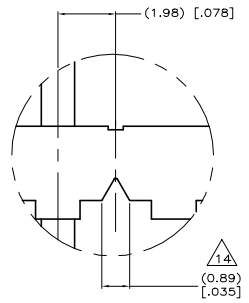
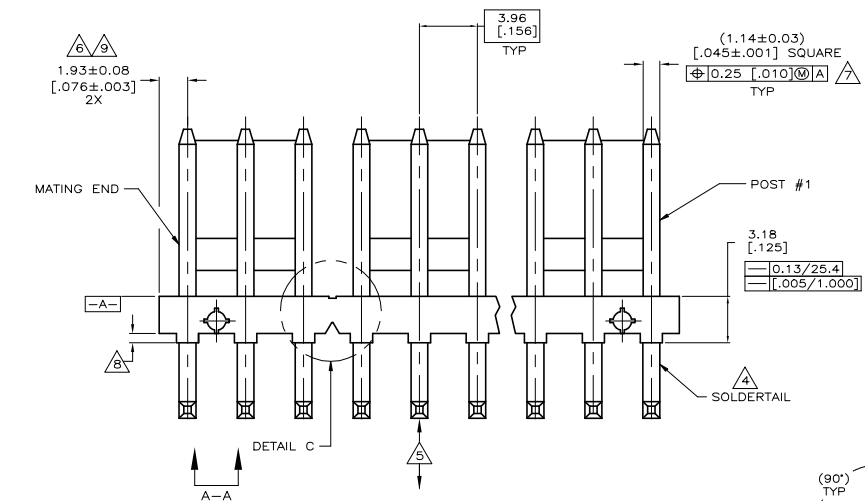
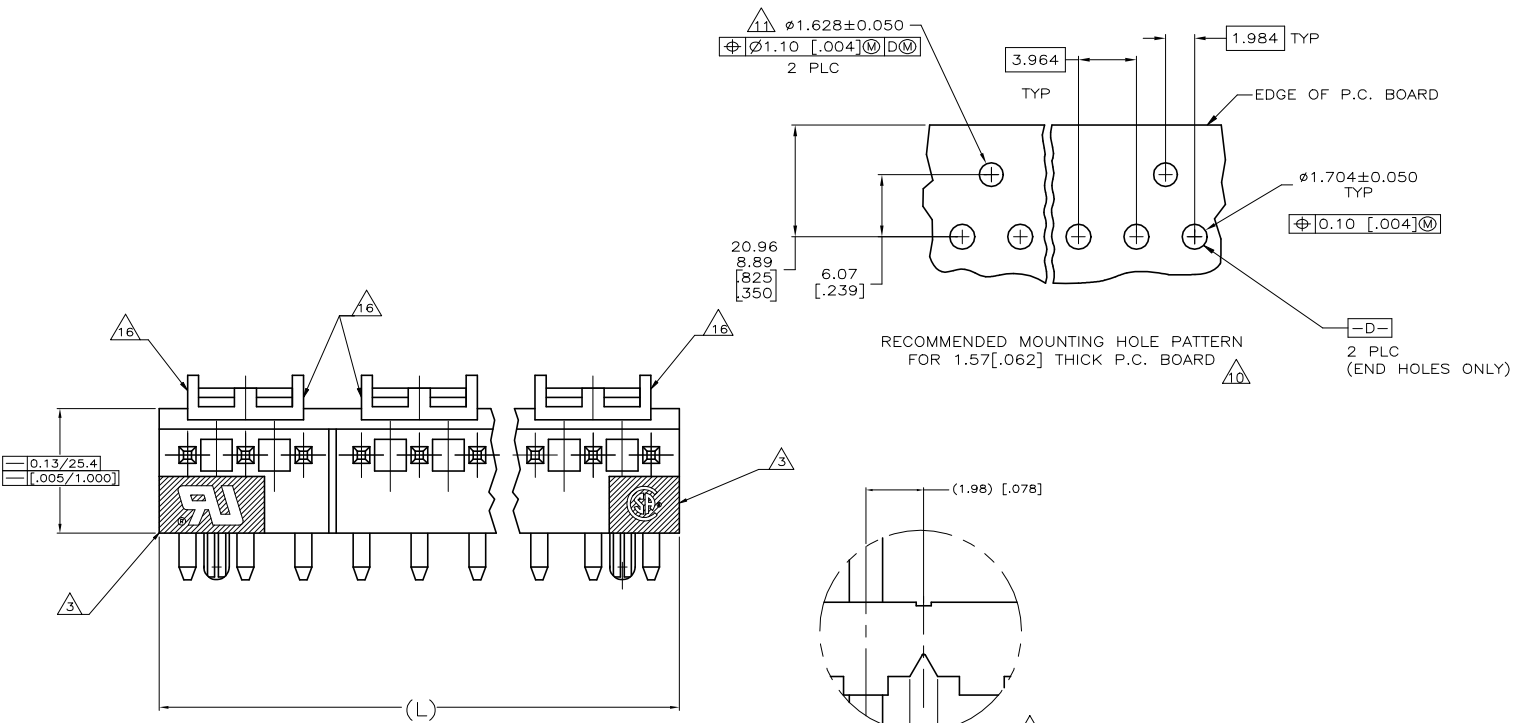


REVISIONS			
NO.	DESCRIPTION	DATE	BY
11	REVISED PER ECR-20-500040	02/04/2005	DA/SW



18 OBSOLETE PARTS: OBSOLETE CIS STREAMLINING PER D.RENAUD/D.SINISI
 19 OBSOLETE PART NUMBER

VIEW A-A
 SCALE 16:1

- 1 MATERIAL HOUSING: THERMOPLASTIC POLYESTER, GLASS FILLED, UL94V-0 POST: COPPER ALLOY
- 2 FINISH HOUSING: NATURAL POST: SEE NOTES 12, 13, & 17 FOR PLATING.
- 3 UL MARKING MAY NOT APPEAR ON THE 2 OR 3 POSITION SIZES. CSA MARKING MAY NOT APPEAR ON THE 2 POSITION SIZE.
- 4 POST SOLDERDETAILS COMPLY WITH TYCO SOLDERABILITY SPECIFICATION 109-11-2.
- 5 POST WITHSTANDS 13.34 NEWTONS (3 LBS) MINIMUM AXIAL FORCE IN EITHER DIRECTION WITHOUT DISLODGING.
- 6 APPLIES AT -A-
- 7 APPLIES WHEN THE HEADER IS STRAIGHT.
- 8 PLASTIC PROJECTIONS PERMITTED IN THIS ZONE.
- 9 COORDINATE DIMENSIONS APPLIES FROM CENTER OF THE ACTUAL FEATURE.
- 10 SOLDER SIDE OF BOARD IS SHOWN.
- 11 THE RETENTION TABS PROVIDE A ONE-TIME INTERFERENCE FIT IN THE 1.63 [0.064] DIAMETER BOARD HOLES FOR HEADER ASSEMBLY RETENTION DURING SOLDERING. FOUR TABS PER PEG, TWO PEGS PER HEADER ASSEMBLY (ONE PEG ONLY FOR 2 POSITION SIZE).
- 12 PLATING: GOLD PLATE AREA, 0.00076 [0.000030] GOLD OR 0.00008 [0.000003] MIN GOLD FLASH OVER 0.00068 [0.000027] PALLADIUM NICKEL, PER TE CONNECTIVITY'S DISCRETION, ALL SIDES, OVER NICKEL UNDERPLATE, 0.00127 [0.000050] MIN, ALL SIDES AND ENTIRE LENGTH OF POST.
- 13 PLATING: MATTE TIN PLATE AREA, 0.00381-0.00889 [0.000150-0.000350] THICK, ALL FOUR SIDES, OVER, 3.18 [0.125] MINIMUM.
- 14 DIMENSIONS IN BRACKETS ARE IN INCHES.
- 15 ALL POSITION SIZES HAVE THE BACK WALL NOTCHED ON BOTH ENDS AS SHOWN. THE 2 THRU 5 POSITION SIZES HAVE SOLID BACK WALLS. POSITION SIZES 6 AND ABOVE HAVE AN INTERRUPTED BACK WALLS AT VARIOUS LOCATIONS (SEE TABLE FOR INTERRUPTION(S) LOCATIONS).
- 16 EDGE OF POLARIZING LOCK WALL TO BE IN LINE WITH CENTERLINE OF ADJACENT POST WITHIN ±0.13 [0.005].
- 17 PLATING: MATTE TIN PLATE AREA, 0.00381-0.00889 [0.000150-0.000350] THICK, ALL FOUR SIDES, OVER, 3.18 [0.125] MINIMUM.

4&5	7&8	11&12	14&15	71.20	[2.803]	18	4-644633-8
4&5	7&8	10&11	13&14	67.23	[2.647]	17	4-644633-7
4&5	8&9	12&13		63.27	[2.491]	16	4-644633-6
4&5	8&9	11&12		59.31	[2.335]	15	4-644633-5
4&5	7&8	10&11		55.35	[2.179]	14	4-644633-4
4&5	7&8	10&11		51.38	[2.023]	13	4-644633-3
4&5	8&9			47.42	[1.867]	12	4-644633-2
4&5	7&8			43.46	[1.711]	11	4-644633-1
3&4	7&8			39.50	[1.555]	10	4-644633-0
3&4	6&7			35.53	[1.399]	9	4-644633-9
4&5				31.57	[1.243]	8	4-644633-8
4&5				27.61	[1.087]	7	4-644633-7
3&4				23.65	[0.931]	6	4-644633-6
	NONE			19.69	[0.775]	5	3-644633-5
	NONE			15.72	[0.619]	4	3-644633-4
	NONE			11.76	[0.463]	3	3-644633-3
	NONE			7.80	[0.307]	2	3-644633-2

BACK WALL INTERRUPTIONS BETWEEN POSTS (L) NO. OF POSTN ASSEMBLY

THIS DRAWING IS A CONTROLLED DOCUMENT. THE HOLDER IS RESPONSIBLE FOR THE CONTENTS. IT IS THE PROPERTY OF TE CONNECTIVITY. IT IS TO BE KEPT IN THE ORIGINAL FILE. IT IS NOT TO BE REPRODUCED OR TRANSMITTED IN ANY FORM OR BY ANY MEANS, ELECTRONIC OR MECHANICAL, INCLUDING PHOTOCOPYING, RECORDING, OR BY ANY INFORMATION STORAGE AND RETRIEVAL SYSTEM. WITHOUT PERMISSION IN WRITING FROM TE CONNECTIVITY.

TE Connectivity

108-1051
 14-1020
 AQ007792-644633