

- NOTES:
1. PRODUCT SPECIFICATION: HSAL2-2144450000.
  2. PACKAGING SPECIFICATION: PK-111149-001.
  3. PLEASE REFER TO THE LABEL DOCUMENT 2093051008. FOR THE DETAIL SPECIFICATION AND REVISION INFORMATION.
  4. VISIT [www.molex.com](http://www.molex.com) FOR ENVIRONMENTAL COMPLIANCE INFORMATION.
  5. RETENSION CLIP TO BE FASTENED TO CABLE AS SHOWN, CUTTING EXCESS TIE STRAP AS CLOSE TO CABLE AS POSSIBLE.
  6. SEALED HSAL2 CONNECTORS SHALL BE 100% LEAK TESTED DURING PRODUCTION UNDER TEST PARAMETERS AS DETAILED IN PRODUCT SPECIFICATION PS-34858-001.
  7. DON'T CUT THE EXCESS ZIP TIE.

PRE-RELEASE REFERENCE USE ONLY

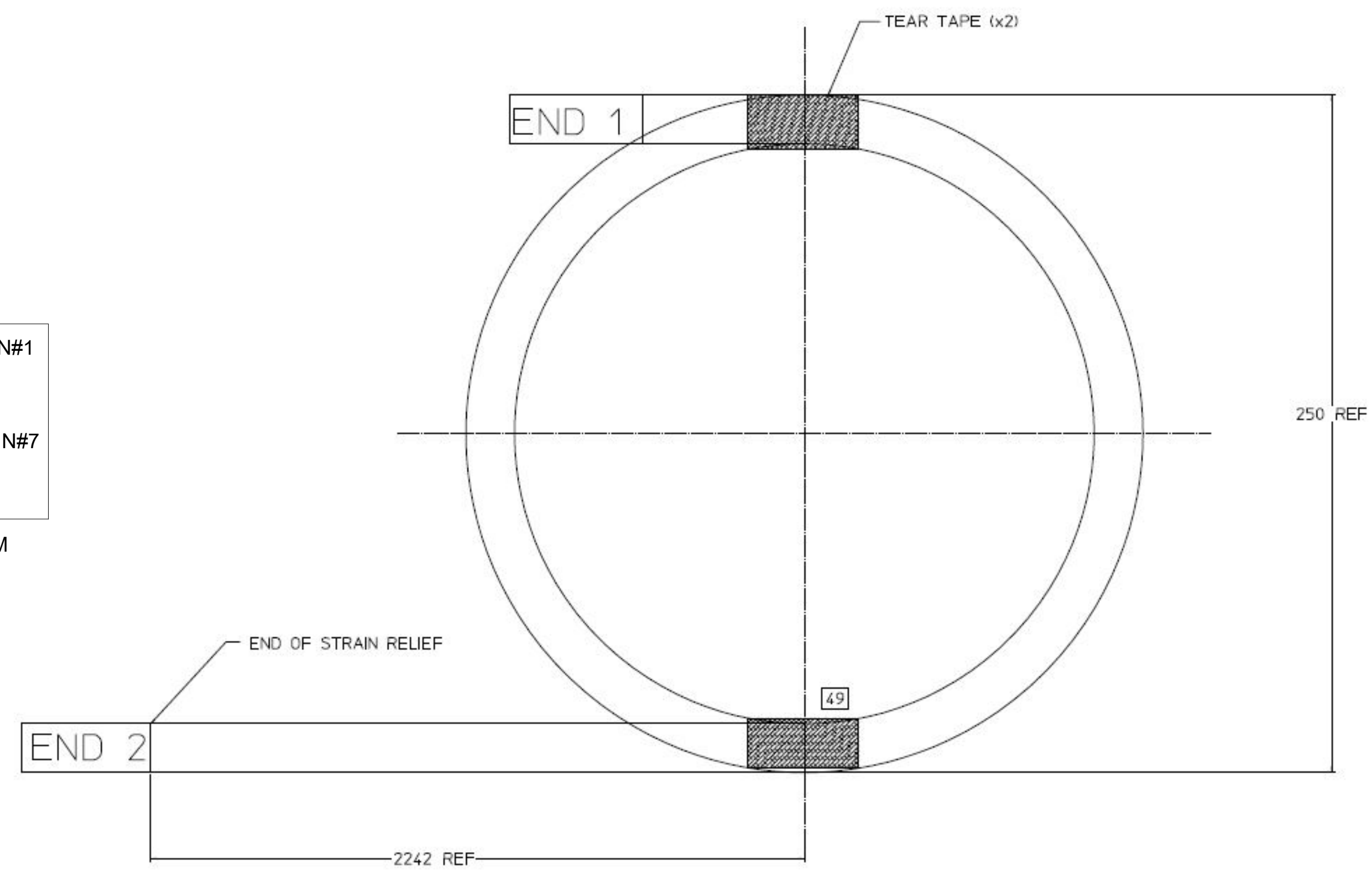
MOLEX MATERIAL NUMBER	MATERIAL NUMBER REVISION	CUSTOMER PART NUMBER	DIM - 'A' REF	DIM - 'B'
1111491442	A3	AXE85320	4743.3	4641+50/-0

FUNCTIONAL SYMBOLS		THIS DRAWING CONTAINS INFORMATION THAT IS PROPRIETARY TO MOLEX ELECTRONIC TECHNOLOGIES, LLC AND SHOULD NOT BE USED WITHOUT WRITTEN PERMISSION		CURRENT REV DESC: SEE REVISION TABLE	
$F_A = 0$	mm	SCALE	2:1		
$F_C = 0$	GENERAL TOLERANCES (UNLESS SPECIFIED)				
$F_D = 0$	ANGULAR TOL		± 3.0°		
DIVISIONAL SYMBOLS		4 PLACES	±	EC NO: 641935	
		3 PLACES	±	DRWN: GRAVIBABU 2020/07/21	
		2 PLACES	± 0.13	CHK'D: BREVANSIDDAB 2020/07/21	
		1 PLACE	± 0.25	APPR:	
		0 PLACES	±	INITIAL REVISION:	
DRAFT WHERE APPLICABLE MUST REMAIN WITHIN DIMENSIONS		THIRD ANGLE PROJECTION		DRWN: KMANISHTIWAR 2019/10/04	
		DRAWING		APPR: TSWAROOPNUNE 2019/11/21	
		D-SIZE		SERIES	
		111149		MATERIAL NUMBER	
		SEE CHART		CUSTOMER	
		JOHN DEERE		SHEET NUMBER	
		1 OF 2			

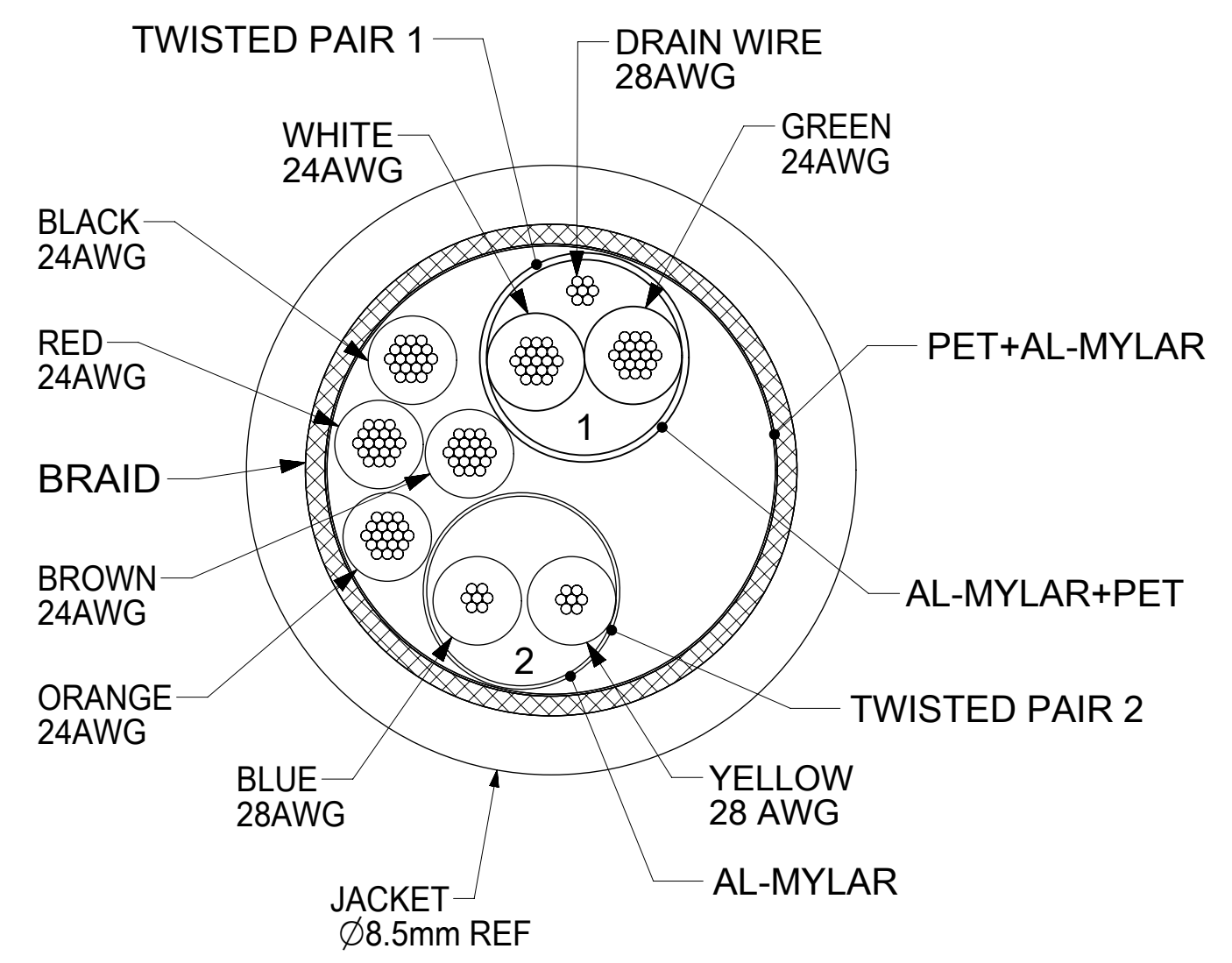
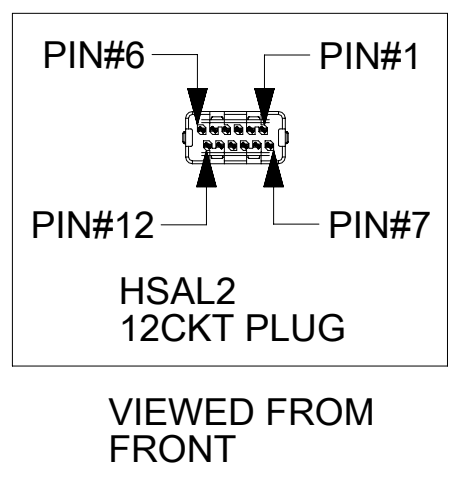
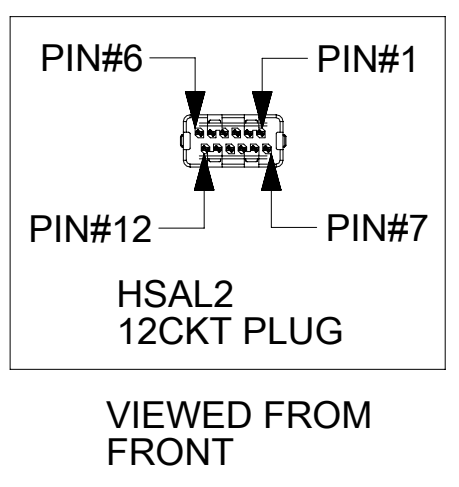
DOCUMENT STATUS	RV	RELEASE DATE

DATE	PSD DOCUMENT REVISION	DESCRIPTION
2019/11/08	A	ORIGINAL RELEASE
2020/01/10	A1	CHG. EDGE CLIP 711580535 WAS 172004182 ; CHG CUSTOMER P/N AXE51323 WAS AQX43372; END2 WAS END1; END1 WAS END2
2020/01/27	A2	1. INTERCHANGED INDICATION FOR END1 & END 2. 2. CHANGED PRODUCT SPECIFICATION HSAL2-2144450000 WAS SEALED PS-34858-001. 3. CHANGED LABEL DOCUMENT 2093051008 WAS 2093051000. 4. CHANGED CUSTOMER PN TO AXE85320 WAS AXE51323
2020/07/21	A3	ADDED NOTE 7.

# COIL DIAGRAM



WIRING DIAGRAM					
12CKT SEALED PLUG (END 2)			12CKT SEALED 65DEG UP PLUG (END 1)		
SIGNAL NAME	CONTACT #	WIRE COLORS	WIRE COLORS	CONTACT #	SIGNAL NAME
LVDS CAMERA SHIELD (DRAIN)	1	DRAIN	DRAIN	1	LVDS CAMERA SHIELD (DRAIN)
LVDS+ CAMERA DATA	2	WHITE	WHITE	2	LVDS+ CAMERA DATA
LVDS- CAMERA DATA	3	GREEN	GREEN	3	LVDS- CAMERA DATA
NO CONNECT	4	--	--	4	NO CONNECT
CAMERA SUPPLY VOLTAGE 1	5	RED	RED	5	CAMERA SUPPLY VOLTAGE 1
CAMERA INTERFACE RETURN 1	6	BLACK	BLACK	6	CAMERA INTERFACE RETURN 1
NO CONNECT	7	--	--	7	NO CONNECT
CAMERA DATA CNTL+	8	BLUE	BLUE	8	CAMERA DATA CNTL+
CAMERA DATA CNTL-	9	YELLOW	YELLOW	9	CAMERA DATA CNTL-
NO CONNECT	10	--	--	10	NO CONNECT
CAMERA SUPPLY VOLTAGE 2	11	BROWN	BROWN	11	CAMERA SUPPLY VOLTAGE 2
CAMERA INTERFACE RETURN 2	12	ORANGE	ORANGE	12	CAMERA INTERFACE RETURN 2
BRAID TO SHIELD	SHIELD	BRAID TO SHIELD	SHIELD	SHIELD	BRAID TO SHIELD



CABLE CONSTRUCTION  
IPM CABLE

PRE-RELEASE  
REFERENCE  
USE ONLY

<b>FUNCTIONAL SYMBOLS</b> FA = 0 FC = 0 FP = 0 <b>DIVISIONAL SYMBOLS</b>	THIS DRAWING CONTAINS INFORMATION THAT IS PROPRIETARY TO MOLEX ELECTRONIC TECHNOLOGIES, LLC AND SHOULD NOT BE USED WITHOUT WRITTEN PERMISSION	DIMENSION UNITS: mm SCALE: 2:1	CURRENT REV DESC: SEE REVISION TABLE		
	GENERAL TOLERANCES (UNLESS SPECIFIED) ANGULAR TOL ± 3.0°	4 PLACES ± 3 PLACES ± 2 PLACES ± 0.13 1 PLACE ± 0.25 0 PLACES ±	EC NO: 641935 DRWN: GRAVIBABU 2020/07/21 CHK'D: BREVANSIDDAB 2020/07/21 APPR:		IPM CA ASY, HSAL2 12CT SEALED 65DEG PLUG WITH BOOT TO 12CKT SEALED STR PLUG, POL-D TO POL-C WITH BOOT
	DRAFT WHERE APPLICABLE MUST REMAIN WITHIN DIMENSIONS	THIRD ANGLE PROJECTION	INITIAL REVISION: DRWN: KMANISHTIWAR 2019/10/04 APPR: TSWAROOPNUNE 2019/11/21		PRODUCT CUSTOMER DRAWING DOCUMENT NUMBER: 1111491442 DOC TYPE: PSD DOC PART: 000 REVISION: A3
	MATERIAL NUMBER: SEE SHEET 1 CUSTOMER: JOHN DEERE SHEET NUMBER: 2 OF 2	D-SIZE 111149	SERIES: 111149		SEE SHEET 1 JOHN DEERE 2 OF 2

DOCUMENT STATUS	RV	RELEASE DATE