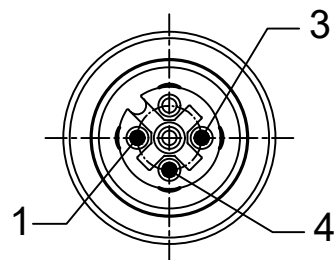
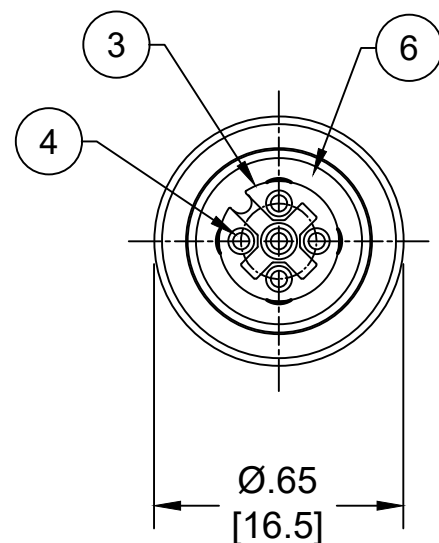


**FEMALE FACE VIEW
3-POLE**



WIRING DIAGRAM

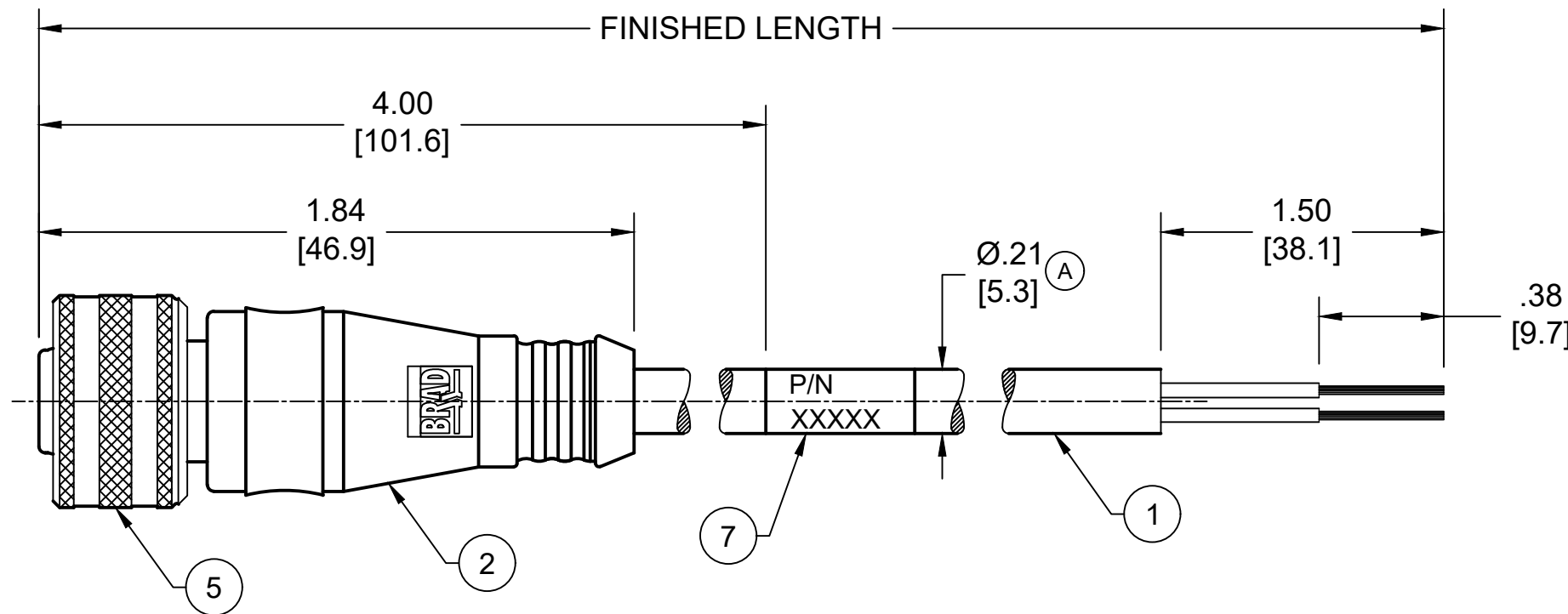
1 BROWN
3 BLUE
4 BLACK



NOTES:

1. MATERIAL: AS NOTED
2. FINISH: AS NOTED
3. ELECTRICAL:
VOLTAGE: 250V
CURRENT: 4A
4. TEMP RATING: -20°TO +105°C
5. PROTECTION: IP67/69K (WHEN MATED)
6. CSA CERTIFIED FILE: LR6837 (A)
7. ALL DIMENSIONS ARE FOR REFERENCE UNLESS TOLERANCED OR NOTED OTHERWISE

(A) PART NO	ENGINEERING NO.	FINISHED LENGTH
1200790139	W03000A09M010	1M [3FT 3 IN]
1200790136	W03000A09M050	5M [16FT 5 IN]
1200790167	W03000A09M100	10M [32FT 10 IN]



(A) **PART NUMBER LEGEND**
W03000A09M010

FINISHED LENGTH
M005 = 0.5 METER
M010 = 1 METER
M100 = 10 METER

(A) **CABLE LENGTH TOLERANCES**

<.3M [1FT]:	+19mm-0 [+ .75in-0]
.3 - .9M [1 - 3FT]:	+44.5mm-0 [+1.75in-0]
.9 - 1.8M [3 - 6FT]:	+55.6mm-0 [+2.19in-0]
1.8 - 3.7M [6 - 12FT]:	+88.9mm-0 [+3.50in-0]
3.7 - 7.3M [12 - 24FT]:	+165.1mm-0 [+6.50in-0]
7.3-14.6M [24 - 48FT]:	+317.5mm-0 [+12.50in-0]
14.6 - 30.5M [48-100FT]:	+622.3mm-0 [+24.50in-0]
OVER 30M [100FT]	+2% OF FINISHED LENGTH

7	WRAP LABEL	VINYL	BLACK/YELLOW	(A)
6	O-RING	VITON	GREEN	
5	COUPLER	BRASS	NICKEL PLATED	
4	CONTACT SOCKET	COPPER ALLOY	GOLD OVER NICKEL	
3	FEMALE INSERT	PUR	BLACK	(A)
2	OVERMOLD	PUR	YELLOW	
1	#22 AWG CABLE	PVC JACKET	YELLOW	
ITEM	DESCRIPTION	MATERIAL	FINISH	

FUNCTIONAL SYMBOLS FA=0 FB=0 FC=0	THIS DRAWING CONTAINS INFORMATION THAT IS PROPRIETARY TO MOLEX ELECTRONIC TECHNOLOGIES, LLC AND SHOULD NOT BE USED WITHOUT WRITTEN PERMISSION	CURRENT REV DESC: ITEM #3 WAS NYLON & #7 WAS MYLAR. REMOVED UL. ADDED CSA. CABLE DIA, PN MATRIX & TOL CHART. MODIFIED PN TABLE.		 MICRO-CHANGE ULTRA LOCK, M12 3-POLE, FEMALE, STRAIGHT, SINGLE KEY, #22 AWG	
	DIMENSION UNITS INCH/MM	SCALE NTS	EC NO: 702709		
DIVISIONAL SYMBOLS	GENERAL TOLERANCES (UNLESS SPECIFIED)	mm	INCH	DRWN: ABENJAMINLW 2021/07/22	DOCUMENT NUMBER SD-120079-025
	4 PLACES ±----	±----	±----	CHK'D: RSTONE 2022/04/11	
	3 PLACES ±----	±----	±----	APPR: BWOODMAN 2022/04/16	PRODUCT CUSTOMER DRAWING MATERIAL NUMBER CUSTOMER SHEET NUMBER SEE CHART GENERAL MARKET 1 OF 1
	2 PLACES ±----	±----	±----	INITIAL REVISION: DRWN: LSTEMMLE 2010/02/10 APPR: FPACHER 2010/02/15	
	1 PLACE ±----	±----	±----	DRAFT WHERE APPLICABLE MUST REMAIN WITHIN DIMENSIONS	
	0 PLACES ±----	±----	±----	THIRD ANGLE PROJECTION	
	ANGULAR TOL ± --- °			DRAWING A3-SIZE	
				SERIES 120079	