

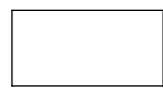
TABLE 1

MOLEX P/N	ENG. NO.	CABLE LENGTH (mm)	LED
1202470016	BEB803P-FBW-05	5000	YES
1202470017	BEB803P-FBW-10	10000	YES
1202470018	BEB803P-FBW-15	15000	YES
1202470019	BEB803P-FBW-20	20000	YES
1202470052	BEB8030-FBW-05	5000	NO
1202470053	BEB8030-FBW-10	10000	NO
1202470054	BEB8030-FBW-15	15000	NO

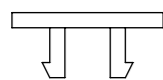
TABLE 2

ITEM	COMPONENT	MATERIAL	FINISH
1	INSERT	POLYESTER	BLACK
2	CONTACT SOCKET	COPPER ALLOY	GOLD OVER NICKEL
3	O-RING	VITON	RED
4	RECEPTACLE SHELL	BRASS	NICKEL PLATED
5	HOUSING	PBT	BLACK
6	CABLE	TPU	BLACK
7	LABEL	ABS	WHITE
8	LABEL ADHESIVE	PE	WHITE
9	CABLE PLATE	PBT	BLACK
10	LED	NO LED = PA WITH LED = PA	BLACK TRANSPARENT
11	RESIN	EPOXY	TRANSPARENT

SCALE 2:1

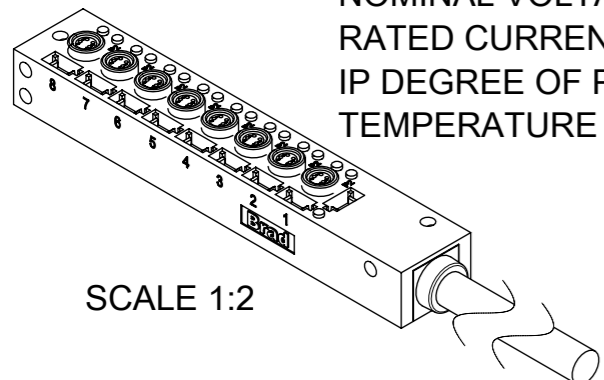


LABEL
9x packed in a bag.

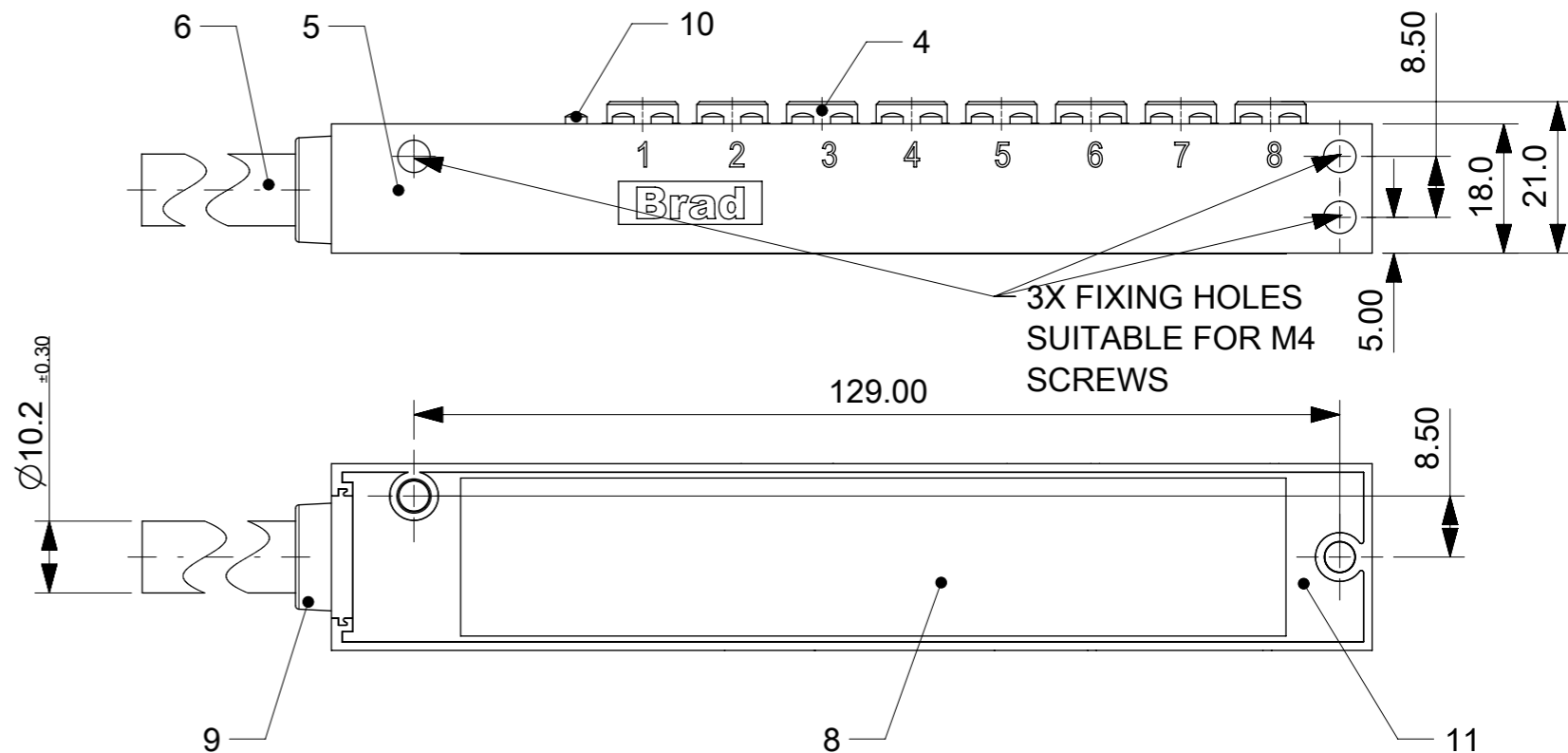
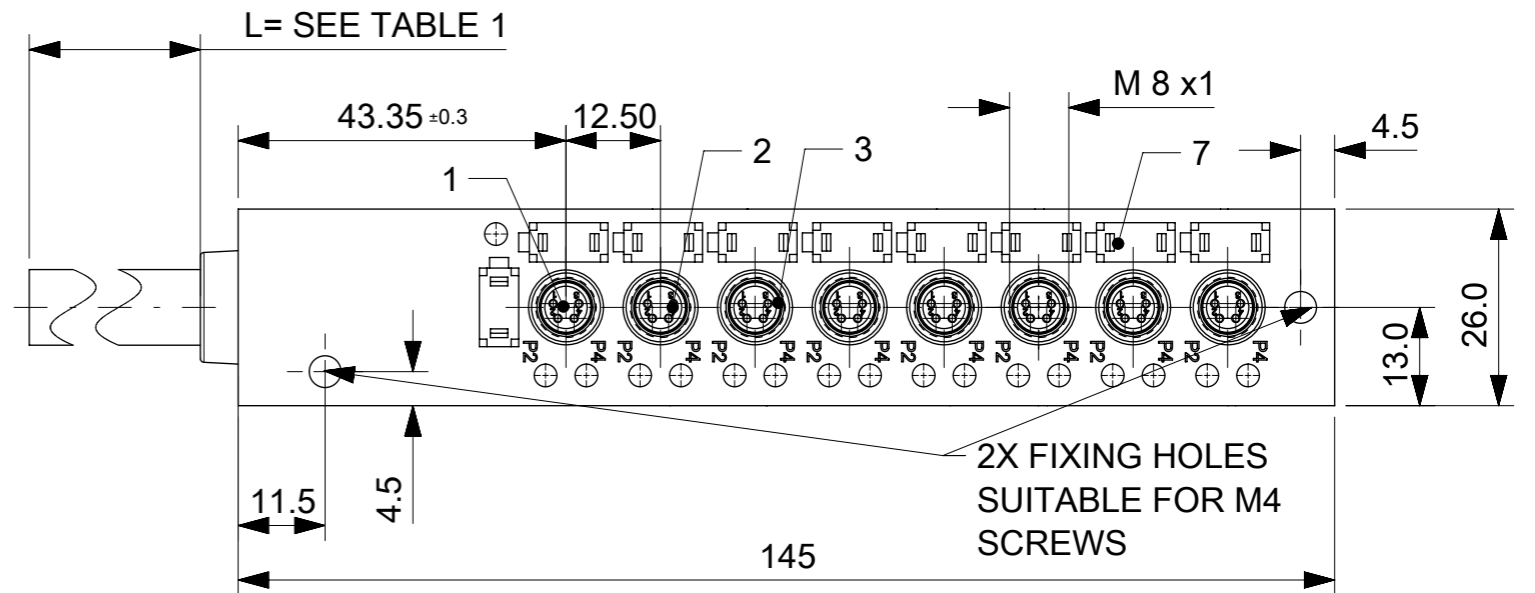


GENERAL CHARACTERISTICS:

NOMINAL VOLTAGE: 24 V DC
 RATED CURRENT: 2 A PER PORT / 6 A MAX: TOTAL
 IP DEGREE OF PROTECTION: IP 68
 TEMPERATURE RANGE: -25°C to + 85°C



SCALE 1:2

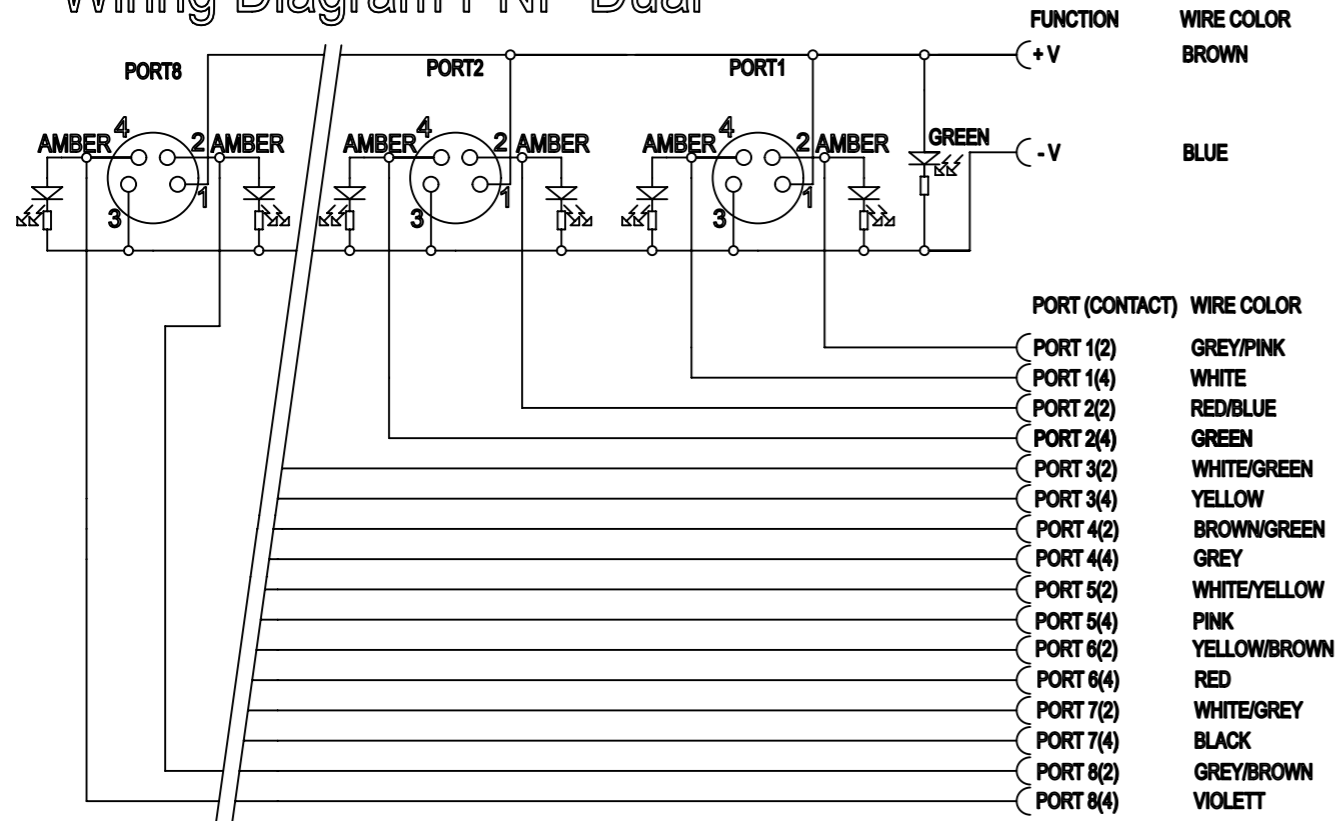


CABLE LENGTH TOLERANCES

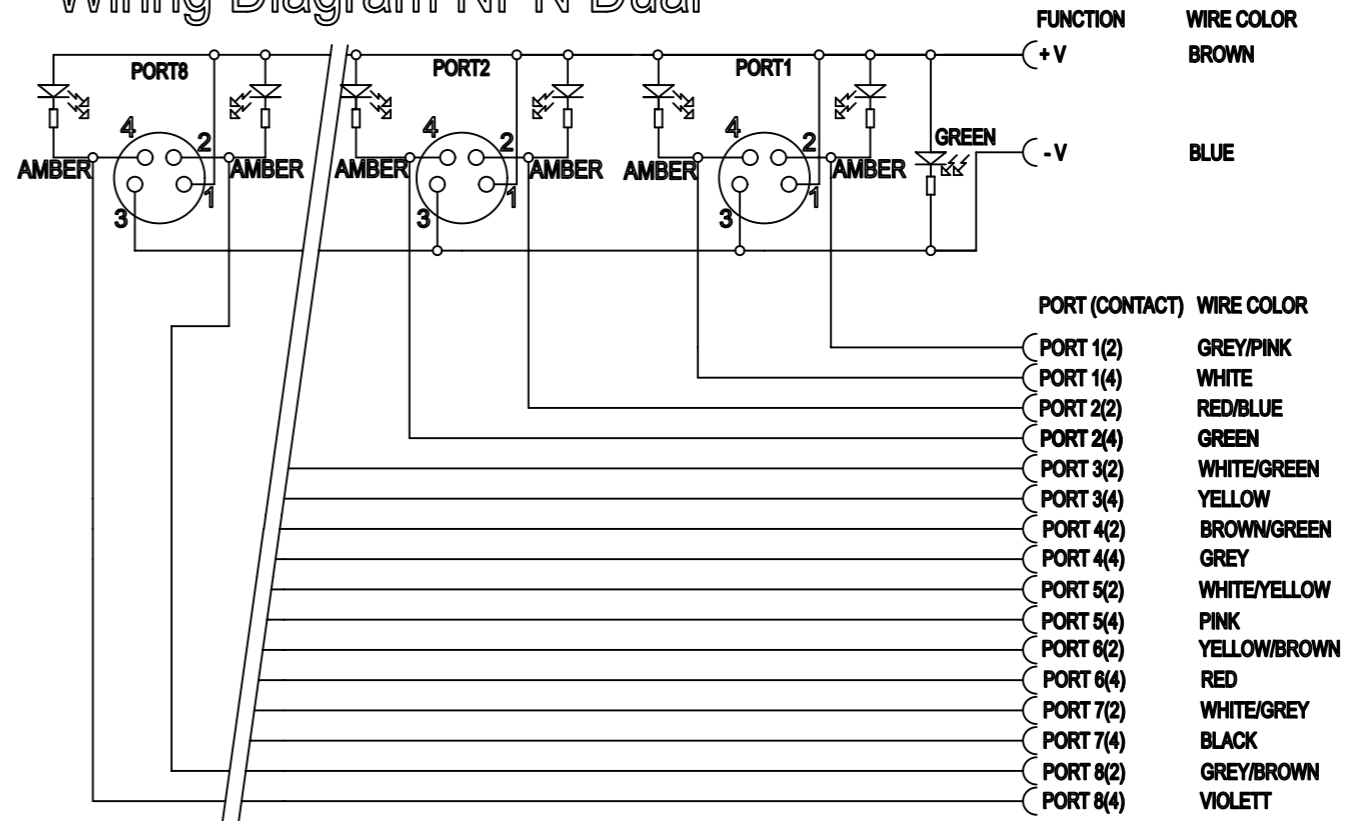
LENGTH	TOLERANCE
0m-1m	+40 mm
>1m-5m	+60 mm
>5m-10m	+80 mm
>10m-20m	+140 mm
>20m-30m	+160 mm
>30m	+1% length

FUNCTIONAL SYMBOLS ∇A = 0 ∇E = 0 ∇F = 0	THIS DRAWING CONTAINS INFORMATION THAT IS PROPRIETARY TO MOLEX ELECTRONIC TECHNOLOGIES, LLC AND SHOULD NOT BE USED WITHOUT WRITTEN PERMISSION	CURRENT REV DESC: ADDED CABLE TOLERANCE TABLE	
	DIMENSION UNITS: mm	SCALE: 1:1	
DIVISIONAL SYMBOLS	GENERAL TOLERANCES (UNLESS SPECIFIED)	EC NO: 699789	
	ANGULAR TOL ± °	4 PLACES ±	DRWN: MDHARMANTI 2022/03/11
	3 PLACES ±	3 PLACES ±	CHK'D: RSILLER 2022/03/17
	2 PLACES ± 0.2	2 PLACES ±	APPR: RSILLER 2022/03/17
	1 PLACE ± 0.3	1 PLACE ±	INITIAL REVISION:
	0 PLACES ± 0.5	0 PLACES ±	DRWN: ULETTENMEIER 2015/01/20
	DRAFT WHERE APPLICABLE MUST REMAIN WITHIN DIMENSIONS	THIRD ANGLE PROJECTION	APPR: RSILLER 2015/04/22
		DRAWING: A3-SIZE	SERIES: 120247
		MATERIAL NUMBER: SEE TABLE 1	CUSTOMER: GENERAL MARKET
		DOCUMENT NUMBER: 1202470016	DOC TYPE: PSD
		DOC PART: 000	REVISION: B1
		SHEET NUMBER: 1 OF 2	

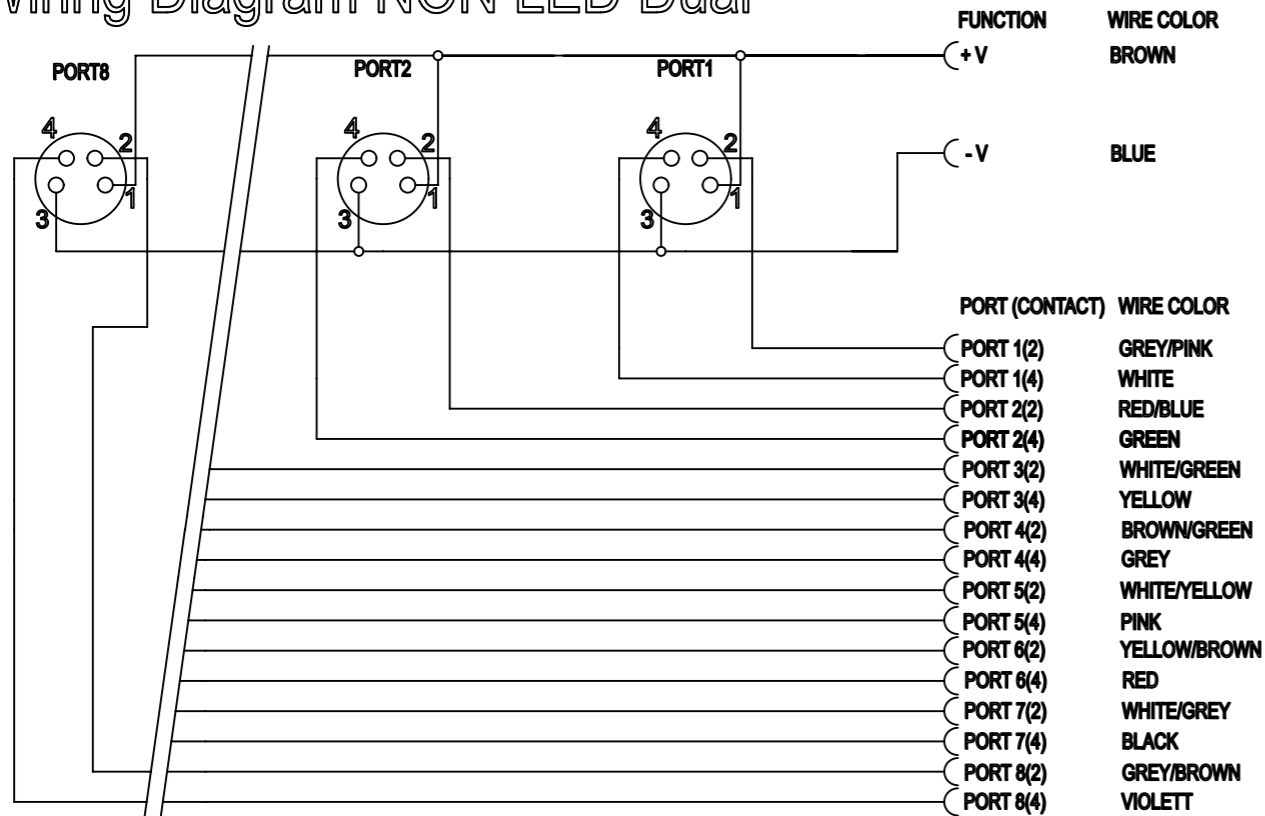
Wiring Diagram PNP Dual



Wiring Diagram NPN Dual



Wiring Diagram NON LED Dual



FUNCTIONAL SYMBOLS	THIS DRAWING CONTAINS INFORMATION THAT IS PROPRIETARY TO MOLEX ELECTRONIC TECHNOLOGIES, LLC AND SHOULD NOT BE USED WITHOUT WRITTEN PERMISSION						
	DIMENSION UNITS	SCALE				CURRENT REV DESC: ADDED CABLE TOLERANCE TABLE	
DIVISIONAL SYMBOLS	$\nabla_A = 0$	mm	1:1	EC NO: 699789			
	GENERAL TOLERANCES (UNLESS SPECIFIED)		DRWN: MDHARMANTI		2022/03/11		
	ANGULAR TOL ± °		CHK'D: RSILLER		2022/03/17		
	4 PLACES ±	APPR: RSILLER		2022/03/17			
	3 PLACES ±	INITIAL REVISION:		DOCUMENT NUMBER			
2 PLACES ± 0.2	DRWN: ULETTENMEIER		2015/01/20	1202470016	PSD	000	B1
1 PLACE ± 0.3	APPR: RSILLER		2015/04/22	DOC TYPE		DOC PART	
0 PLACES ± 0.5	DRAFT WHERE APPLICABLE MUST REMAIN WITHIN DIMENSIONS		THIRD ANGLE PROJECTION	DRAWING	SERIES	MATERIAL NUMBER	CUSTOMER
		A3-SIZE		120247	SEE TABLE 1		GENERAL MARKET
						SHEET NUMBER	
						2 OF 2	