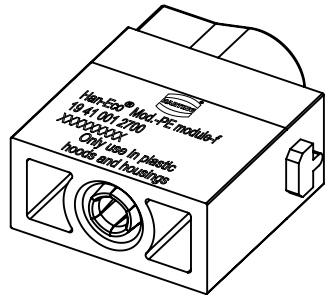
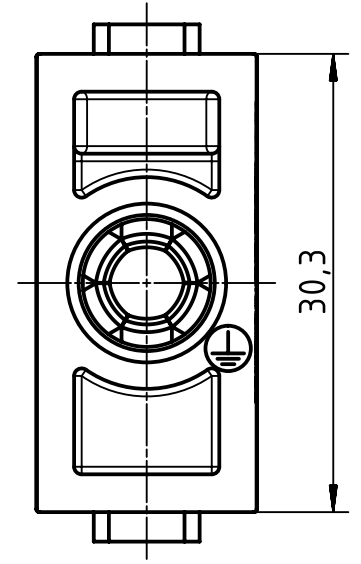
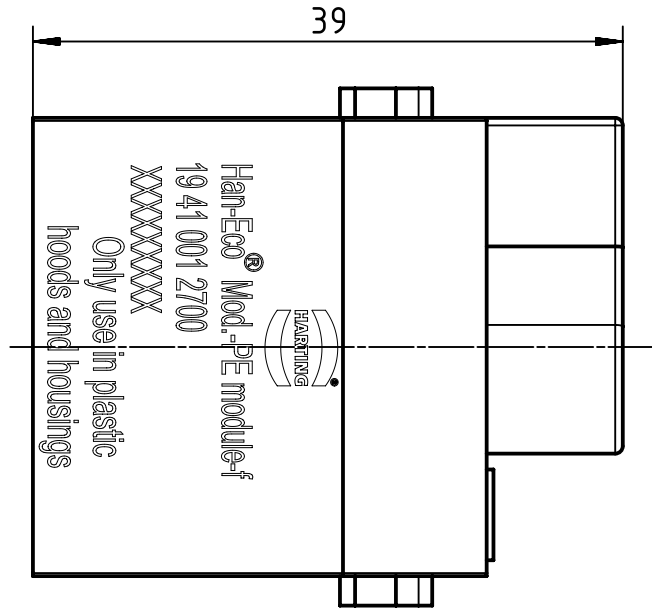
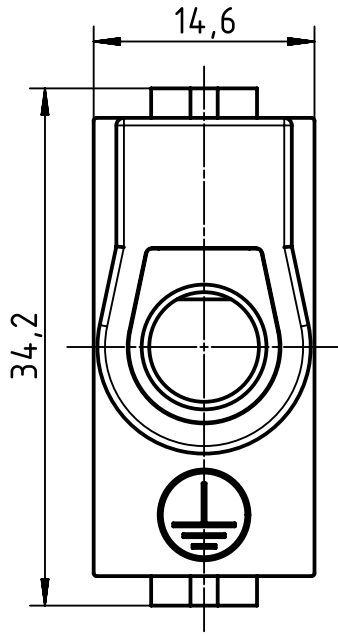


A

B

C

D



wire gauge		tightening torque	stripping length
1,5mm ²	AWG 16	1,2Nm	14mm
2,5mm ²	AWG 14	2Nm	14mm
4mm ²	AWG 12	3Nm	14mm
6mm ²	AWG 10	3Nm	14mm
10mm ²	AWG 8	3Nm	14mm
16mm ²	AWG 6	3Nm	14mm

	All Dimensions in mm Original Size DIN A4	Scale 2:1	Free size tol.		Ref.	
	All rights reserved Department EL PD	Created by HELLMANN	Inspected by SUNDERMEIER	Standardisation GARSKE	Date 2019-09-23	State Final Release
HARTING Electric GmbH & Co. KG D-32339 Espelkamp		Title Han-Eco Mod.-PE module-f 16-6 AWG			Doc-Key / ECM-Nr. 100186330/UGD/005/E 500000158250	
		Type TB	Number 19 41 001 2700		Rev. E	Page 1/1