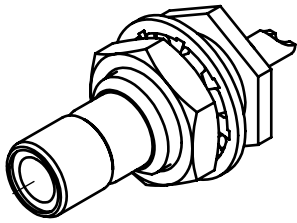
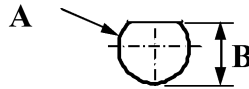


REVISIONS

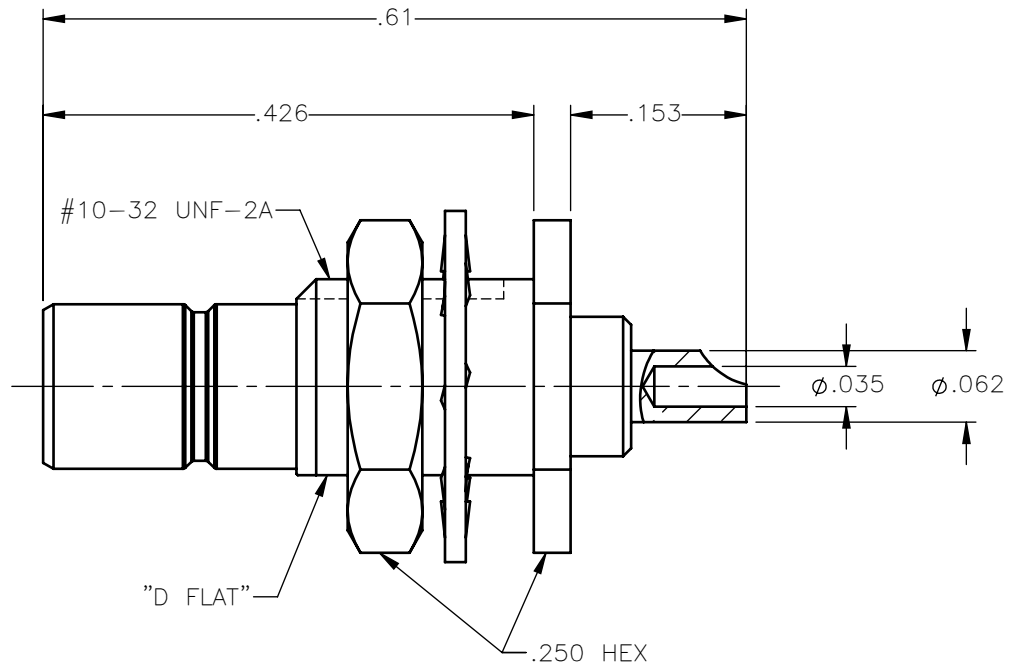
| REV. | DESCRIPTION     | DATE     | APPROVED |
|------|-----------------|----------|----------|
| A    | INITIAL RELEASE | 03/06/18 | C.E.     |



**PANEL CUT OUT**



| inches   |             |             |
|----------|-------------|-------------|
|          | Maxi        | mini        |
| <b>A</b> | <b>.198</b> | <b>.192</b> |
| <b>B</b> | <b>.183</b> | <b>.177</b> |



NOTES:

MATERIALS:

1. INSULATORS = VIRGIN WHITE TEFLON PER ASTM D1710, GRADE 1, TYPE I, CLASS "B".
2. LOCKWASHER = PHOSPHOR BRONZE PER ASTM B139, COPPER ALLOY C53400, TEMPER H04.
3. ALL OTHER METAL PARTS = BRASS PER ASTM B16, ALLOY C36000, TEMPER H02.

FINISHES:

1. CONTACT = GOLD PLATE PER ASTM B488-11, TYPE II, 50 $\mu$ in MIN, GRADE C, OVER 100 TO 200 $\mu$ in STRESS FREE SULFAMATE NICKEL PER AMS-QQ-N-290.
2. ALL OTHER METAL PARTS = NICKEL PLATE PER AMS-QQ-N-290, CLASS 1, GRADE G, EXCEPT 100 TO 200 $\mu$ in THICK OVER 50 TO 100 $\mu$ in THICK COPPER PER AMS 2418.

UNLESS OTHERWISE SPECIFIED DIMENSIONS ARE IN INCHES TOLERANCES ON

|       |          |
|-------|----------|
| DWN:  | DATE     |
| C.E.  | 03/06/18 |
| CHKD: | DATE     |
| D.N.  | 03/06/18 |
| APVD: | DATE     |
| J.M.  | 03/06/18 |



Property of Radiall  
This document cannot be reproduced or communicated to a third party without prior written permission of RADIALL.



**SMB STRAIGHT MALE JACK  
BULKHEAD MOUNT  
SOLDER POT RECEPTACLE**

|                                    |                       |
|------------------------------------|-----------------------|
| REFERENCE:                         | MATERIALS & FINISHES: |
| ORIGINATED: C.E.<br>DATE: 03/06/18 | SEE NOTES             |

|                  |                   |                                 |                 |
|------------------|-------------------|---------------------------------|-----------------|
| SIZE<br><b>A</b> | FSCM NO.<br>19505 | DWG NO.<br><b>2004-7511-000</b> | REV<br><b>A</b> |
| SCALE 6:1        |                   | THIRD ANGLE PROJECTION          | SHEET 1 OF 1    |

2004-1711-000