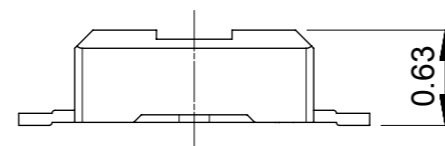
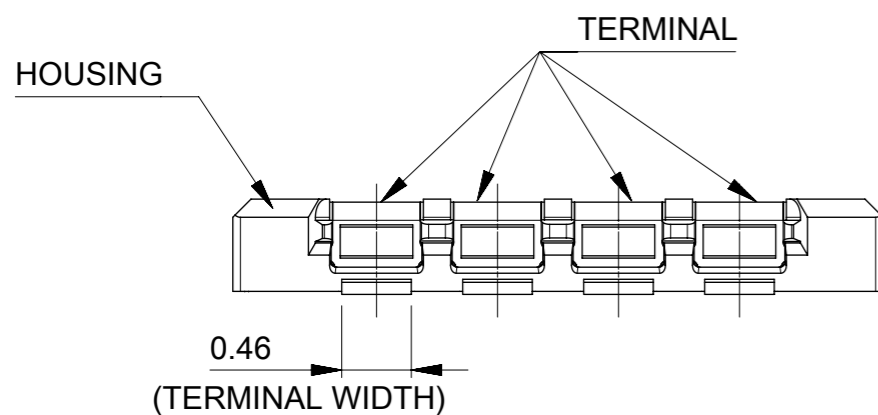


ISOMETRIC

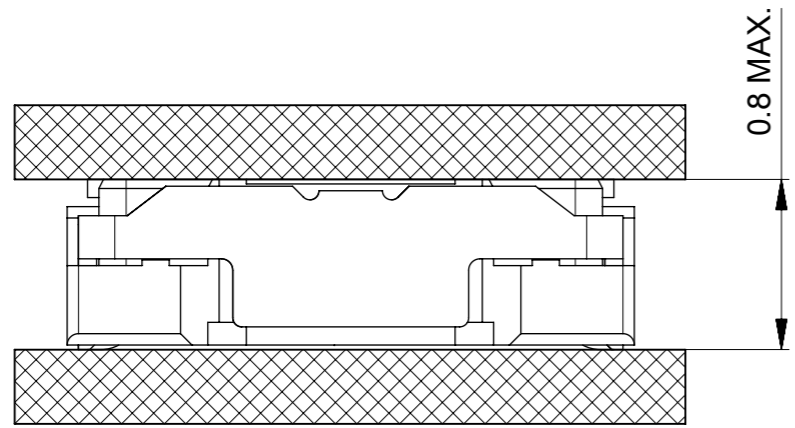
NOTES

1. MATERIAL
HOUSING : LIQUIDE CRISTAL POLYMER UL94V-0 (COLOR:BLACK)
TERMINAL FOR POWER OR SIGNAL CIRCUIT : COPPER ALLOY
2. PLATING
TERMINAL FOR POWER OR SIGNAL CIRCUIT :
CONTACT AREA : GOLD 0.1um MIN.
TAIL AREA : GOLD 0.05um MIN.
BASE PLATING : Ni 1.0um MIN.
* DIVIDE INTO PARTS THE GOLD PLATING OF THE CONTACT AND THE TAIL PART BY THE NICKEL PLATING.
3. MATE WITH : 207419 SERIES.
4. TAIL COPLANARITY TO BE 0.08mm MAXIMUM.

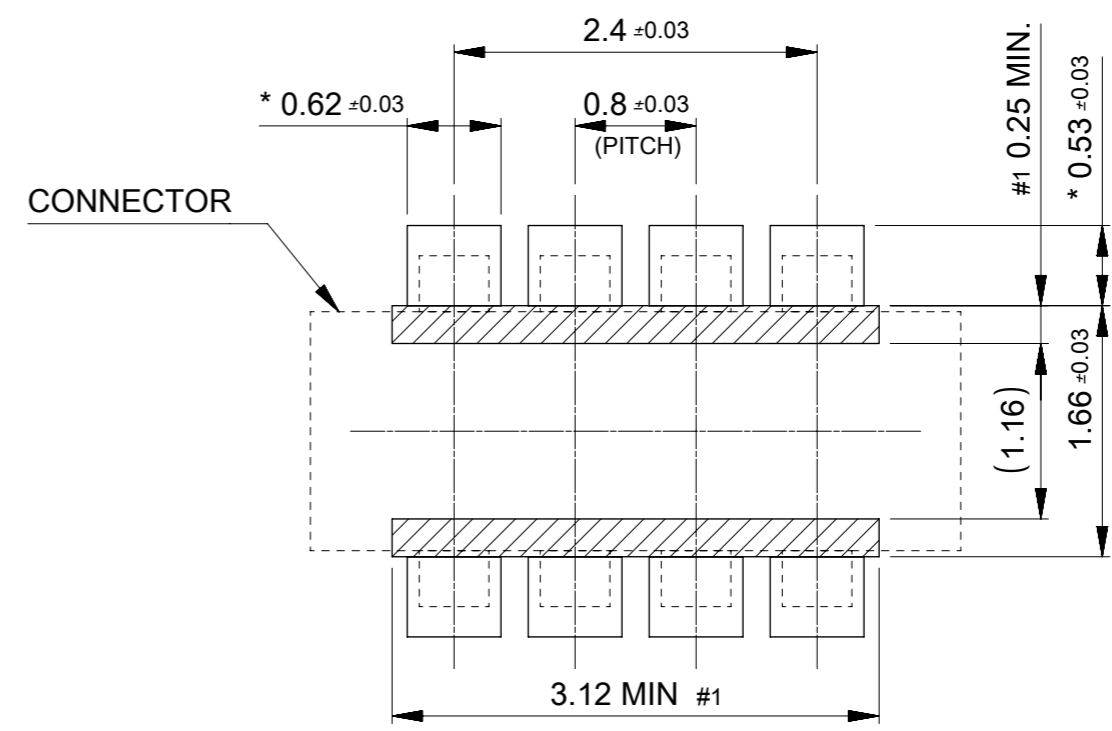


207420-0081	□	-	8
EMBOSSED TAPE PACKAGE	MASS PRODUCTION	LOW VOL. TOOL	CIRCUITS
ORDER No.	SAMPLE PREPARATION		
CONNECTOR SERIES No. : 207420			

<p>QUALITY SYMBOLS</p> <p>▽A = 0</p> <p>▽E = 0</p> <p>▽F = 0</p> <p>▼ = 0</p> <p>▽C = 0</p> <p>⊗ = 0</p> <p>■ = 0</p> <p>▽ = 0</p>	THIS DRAWING CONTAINS INFORMATION THAT IS PROPRIETARY TO MOLEX ELECTRONIC TECHNOLOGIES, LLC AND SHOULD NOT BE USED WITHOUT WRITTEN PERMISSION				DIMENSION UNITS	SCALE					
	<p>EC NO: 632527</p> <p>DRWN: SYKO01</p> <p>CHK'D: SHCHU</p> <p>REV APPR: YSKIM02</p>	GENERAL TOLERANCES (UNLESS SPECIFIED)		mm	20:1	<p>DRWN BY: SYKO01</p> <p>DATE: 2018/03/16</p> <p>CHK'D BY: KSKIM</p> <p>DATE: 2019/09/30</p> <p>APPR BY: YSKIM02</p> <p>DATE: 2019/10/07</p>		0.8MM BATTERY BTB 8P PLUG ASSY			
		ANGULAR TOL ± 1.0 °		DRAWING SIZE				PRODUCT CUSTOMER DRAWING			
		DRAFT WHERE APPLICABLE MUST REMAIN WITHIN DIMENSIONS		A3	THIRD ANGLE PROJECTION			SERIES	MATERIAL NUMBER	CUSTOMER	
								207420	SEE TABLE	GENERAL	
								DOCUMENT NUMBER	DOC TYPE	DOC PART	SHEET NUMBER
								2074200081	PSD	000	1 OF 4



MATED CONDITION

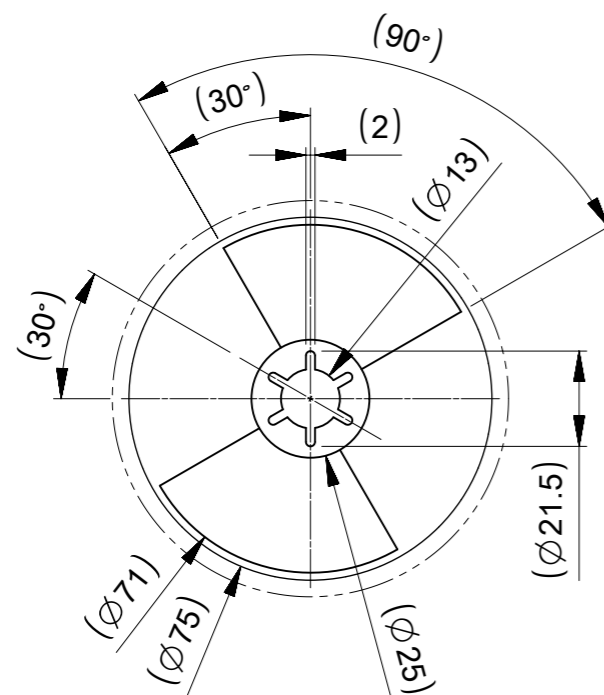
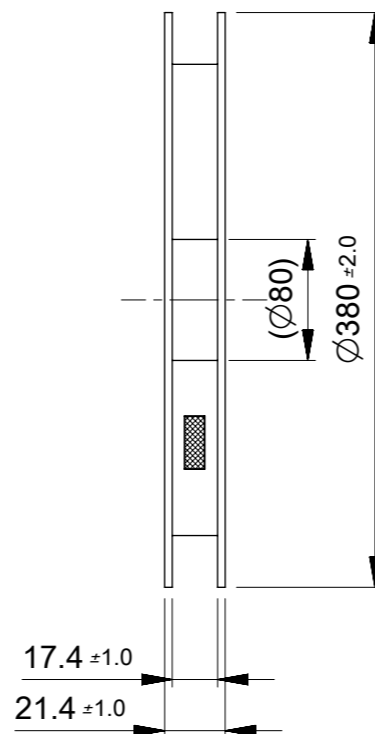
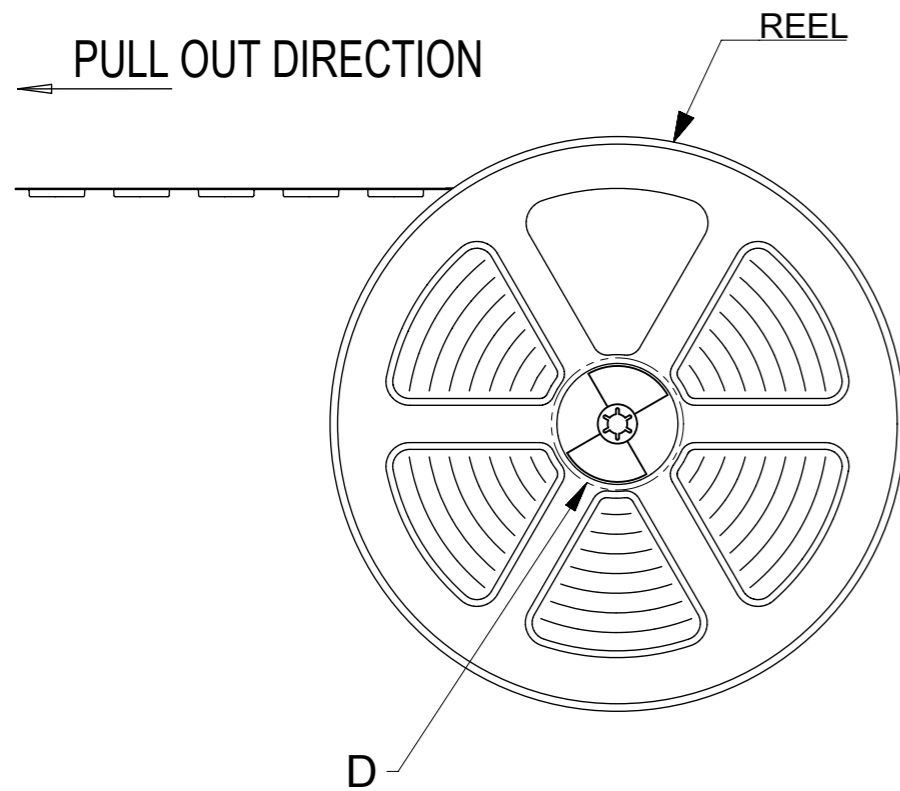


RECOMMENDED PCB PATTERN LAYOUT (FOR REFERENCE)
 RECOMMENDED THICKNESS OF METAL MASK : t=0.1mm
 RECOMMENDED OPEN APERTURE RATIO OF METAL MASK : 70%

* : AFTER SMT, THE SOLDER ON THE UPPER SURFACE OF THE PLUG SHOULD NOT HIGHER THAN 0.04mm

#1
 PROHIBITED AREA OF PATTERN WIRING AND SOLDER.
 (FOR EACH AREA THE WIRING CAN NOT BE AVAILABLE AND COVERED WITH A FILM KEEP SOLDER OUT)

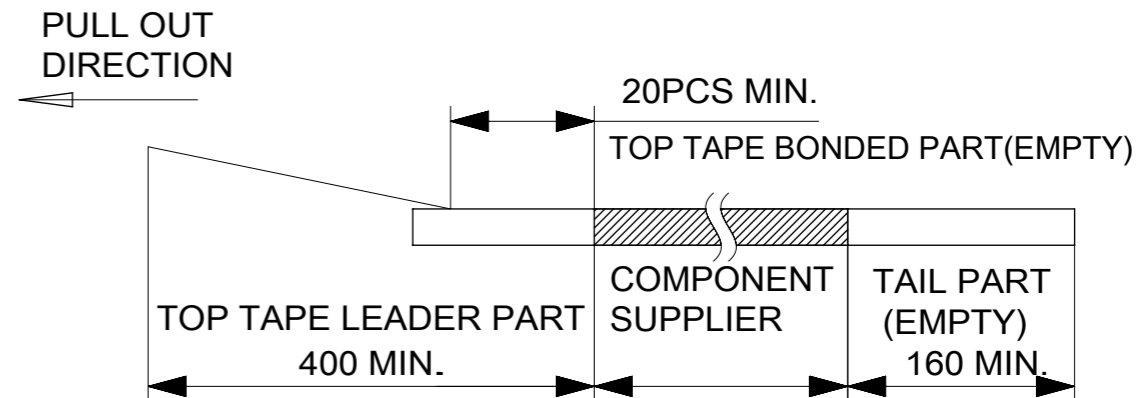
THIS DRAWING CONTAINS INFORMATION THAT IS PROPRIETARY TO MOLEX ELECTRONIC TECHNOLOGIES, LLC AND SHOULD NOT BE USED WITHOUT WRITTEN PERMISSION															
QUALITY SYMBOLS ▽A = 0 ▽E = 0 ▽F = 0 ▼ = 0 ▽C = 0 ⊗ = 0 ■ = 0 ▽ = 0	EC NO: 632527 DRWN: SYKO01 CHK'D: SHCHU APPR: YSKIM02	GENERAL TOLERANCES (UNLESS SPECIFIED) ANGULAR TOL ± 1.0 °		DIMENSION UNITS	SCALE										
		4 PLACES ±		mm	20:1										
		3 PLACES ± 0.1		DRWN BY	DATE										
		2 PLACES ± 0.15		SYKO01 2018/03/16		CHK'D BY		DATE		0.8MM BATTERY BTB 8P PLUG ASSY					
		1 PLACE ± 0.2		KSKIM 2019/09/30		APPR BY		DATE		PRODUCT CUSTOMER DRAWING					
		0 PLACES ±		YSKIM02 2019/10/07		DRAWING SIZE	THIRD ANGLE PROJECTION	SERIES	MATERIAL NUMBER	CUSTOMER					
		DRAFT WHERE APPLICABLE MUST REMAIN WITHIN DIMENSIONS		A3				207420	SEE SHEET 1	GENERAL					
								DOCUMENT NUMBER	DOC TYPE	DOC PART	SHEET NUMBER				
								2074200081	PSD	000	2 OF 4				



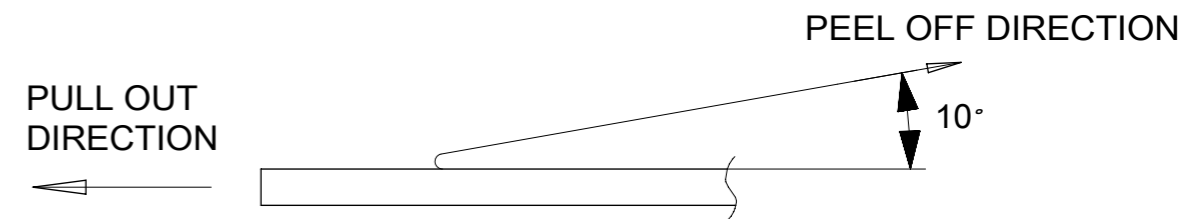
DETAIL D
SCALE 2:1

NOTES

1. NUMBER OF CONNECTORS : 7,000PCS/REEL
2. LEAD TAPE LENGTH :

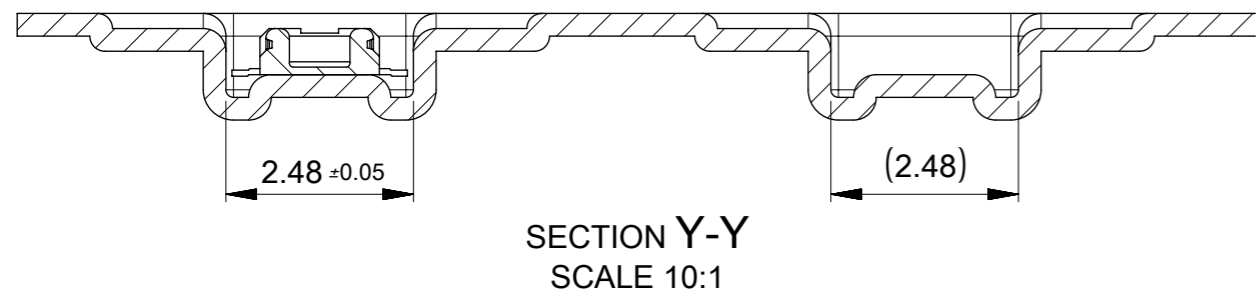
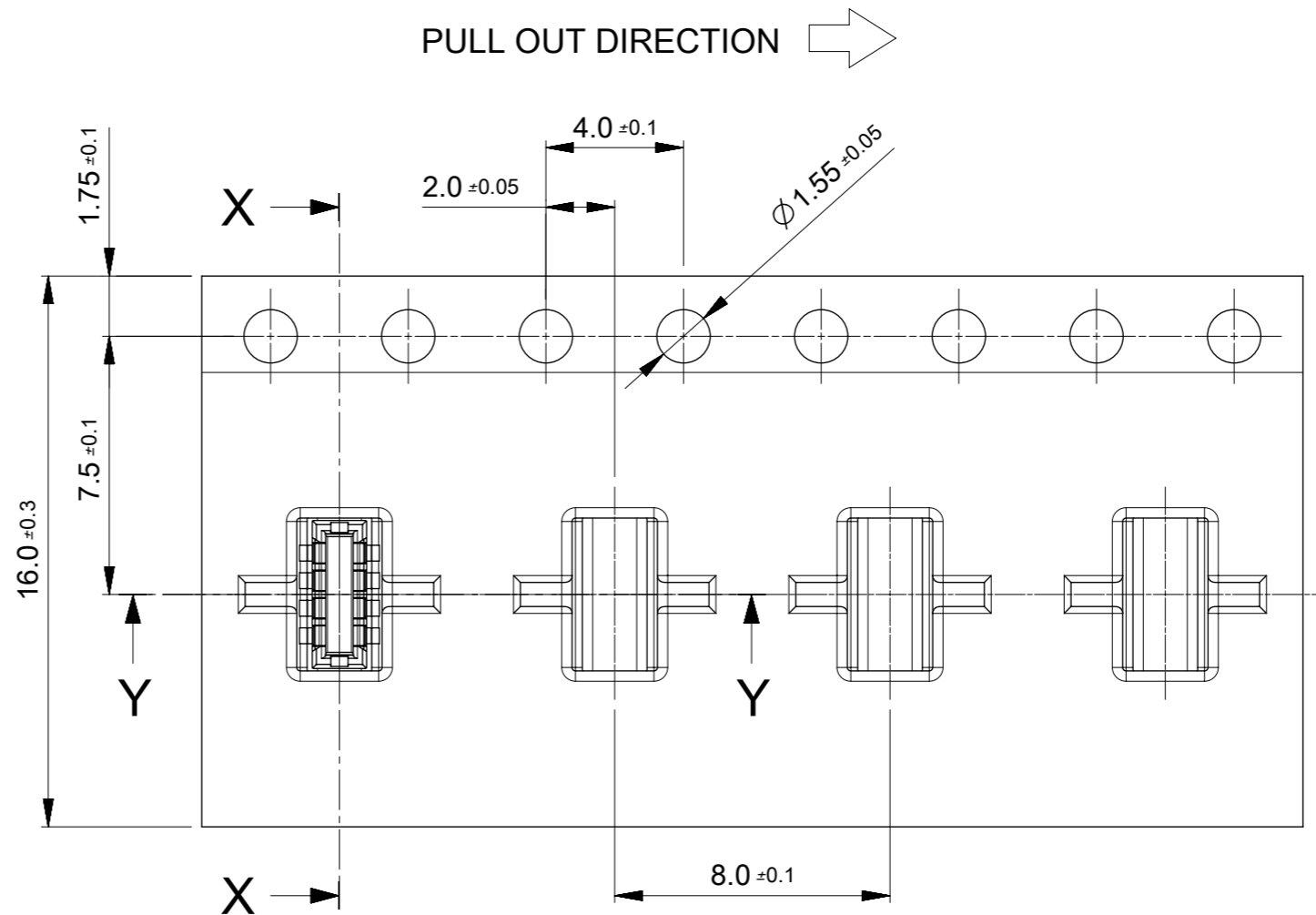
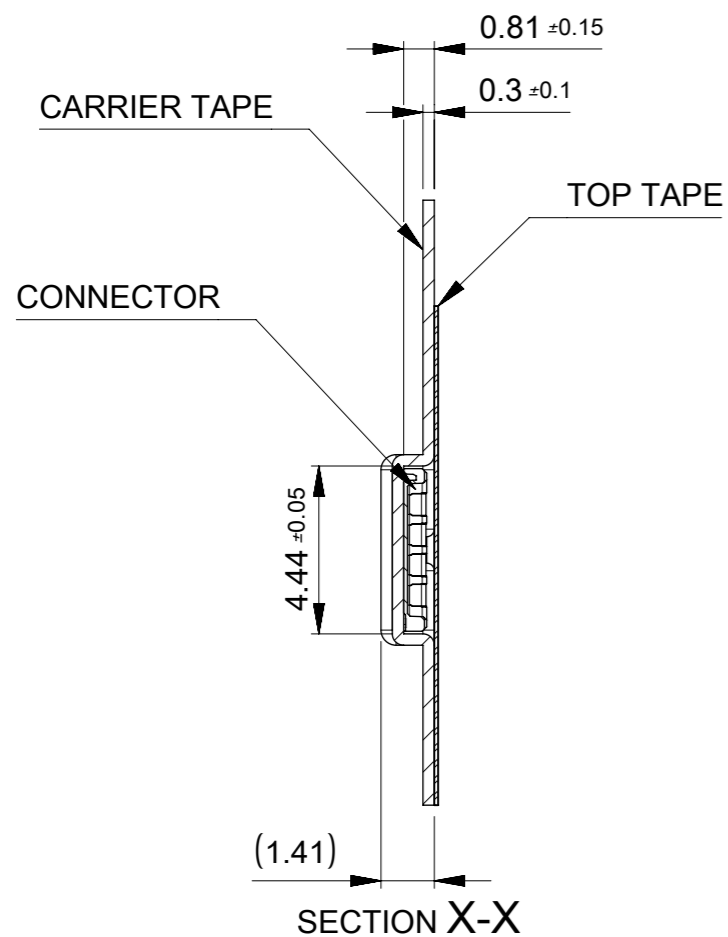


3. PEEL OFF FORECE OF THE TOP TAPE IS DEFINED BY IEC 60286-3 OR JES-59.
- PEELING DIRECTION AS SHOWN IN FOLLOWING FIG.
(PEEL OFF FORCE OF TOP TAPE : $0.6 \pm 0.35N(60 \pm 35gf)$)
(PEEL OFF SPEED : 300mm/Min.(REF))



4. TOP TAPE POSITION
NO MORE THAN 1/3 OF PILOT HOLE DIAMETER IS COVERED WITH TOP TAPE.
5. MATERIAL
CARRIER TAPE : POLYSTYRENE
TOP TAPE : PET, OTHER
REEL : PS
POLYSTYRENE(PS) (RECYCLE MATERIAL CONTAINED)
6. MUST MEET THE CHAMICAL SUBSTANCE GUIDELINE TO CONTROL ENVIRONMENTAL HAZARDOUS SUBSTANCES.
7. REFER TO PS-2074190000 FOR CONDITIONS AFTER OPEN.

THIS DRAWING CONTAINS INFORMATION THAT IS PROPRIETARY TO MOLEX ELECTRONIC TECHNOLOGIES, LLC AND SHOULD NOT BE USED WITHOUT WRITTEN PERMISSION									
QUALITY SYMBOLS	EC NO: 632527 DRWN: SYKO01 CHK'D: SHCHU APPR: YSKIM02	GENERAL TOLERANCES (UNLESS SPECIFIED)		DIMENSION UNITS	SCALE				
		ANGULAR TOL $\pm 1.0^\circ$		mm	1:1				
$\nabla_A = 0$	2020/02/18 2020/02/18 2020/02/20	4 PLACES \pm	DRWN BY	DATE	0.8MM BATTERY BTB 8P PLUG ASSY				
$\nabla_E = 0$		3 PLACES ± 0.1	SYKO01	2018/03/16					
$\nabla_F = 0$		2 PLACES ± 0.15	CHK'D BY	DATE	PRODUCT CUSTOMER DRAWING				
$\blacktriangledown = 0$		1 PLACE ± 0.2	KSKIM	2019/09/30					
$\nabla_C = 0$		0 PLACES \pm	APPR BY	DATE	SERIES: 207420 MATERIAL NUMBER: SEE SHEET 1 CUSTOMER: GENERAL				
$\boxtimes = 0$		DRAFT WHERE APPLICABLE MUST REMAIN WITHIN DIMENSIONS		YSKIM02					
$\blacksquare = 0$	A2	REV	DRAWING SIZE	THIRD ANGLE PROJECTION	DOCUMENT NUMBER: 2074200081 DOC TYPE: PSD DOC PART: 000 SHEET NUMBER: 3 OF 4				
$\nabla = 0$			A3						



SECTION Y-Y
SCALE 10:1

THIS DRAWING CONTAINS INFORMATION THAT IS PROPRIETARY TO MOLEX ELECTRONIC TECHNOLOGIES, LLC AND SHOULD NOT BE USED WITHOUT WRITTEN PERMISSION									
QUALITY SYMBOLS	EC NO: 632527 DRWN: SYKO01 CHK'D: SHCHU APPR: YSKIM02	GENERAL TOLERANCES (UNLESS SPECIFIED)		DIMENSION UNITS	SCALE				
		ANGULAR TOL ± 1.0 °		mm	5:1				
▽A = 0	A2 REV	4 PLACES ±	DRWN BY	DATE	0.8MM BATTERY BTB 8P PLUG ASSY				
▽E = 0		3 PLACES ± 0.1	SYKO01	2018/03/16					
▽F = 0		2 PLACES ± 0.15	CHK'D BY	DATE	PRODUCT CUSTOMER DRAWING				
▼ = 0		1 PLACE ± 0.2	KSKIM	2019/09/30					
▽C = 0		0 PLACES ±	APPR BY	DATE	SERIES MATERIAL NUMBER CUSTOMER 207420 SEE SHEET 1 GENERAL				
⊠ = 0		DRAFT WHERE APPLICABLE MUST REMAIN WITHIN DIMENSIONS	YSKIM02	2019/10/07					
■ = 0		DRAWING SIZE	THIRD ANGLE PROJECTION	DOCUMENT NUMBER DOC TYPE DOC PART SHEET NUMBER 2074200081 PSD 000 4 OF 4					
▽ = 0		A3							