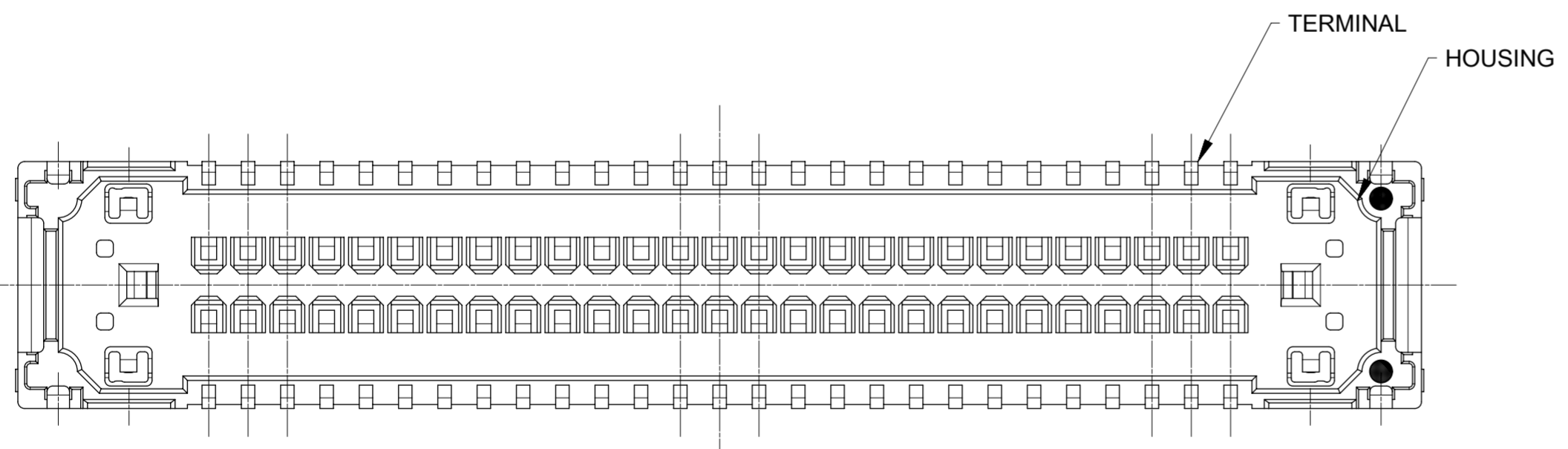
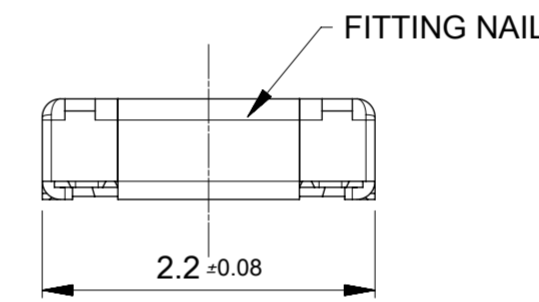
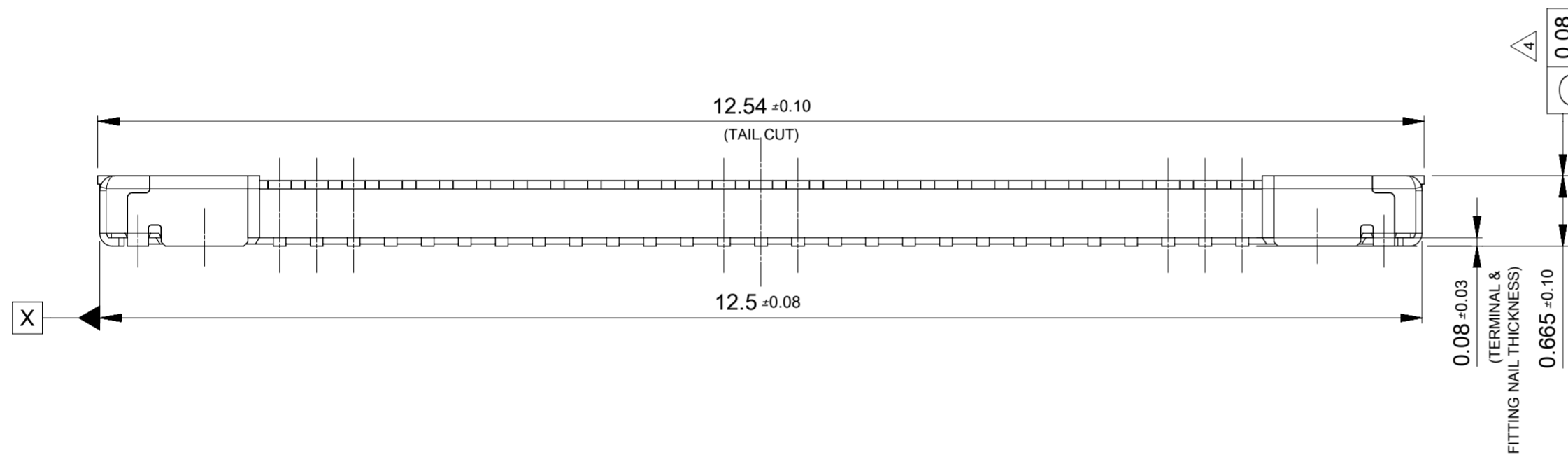
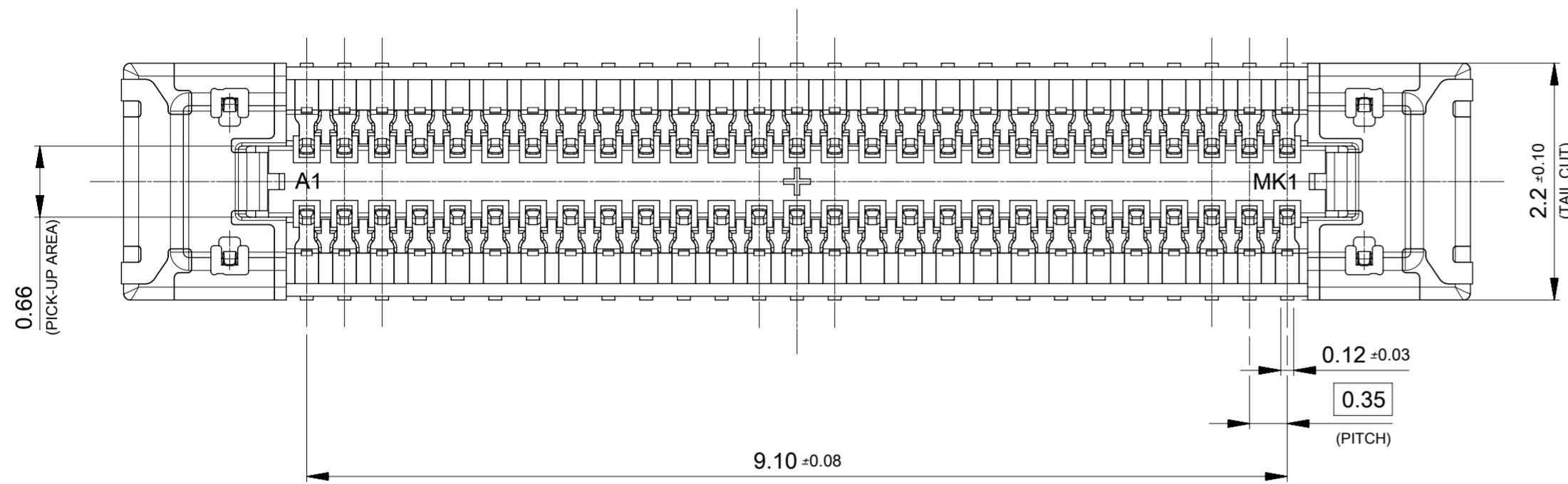


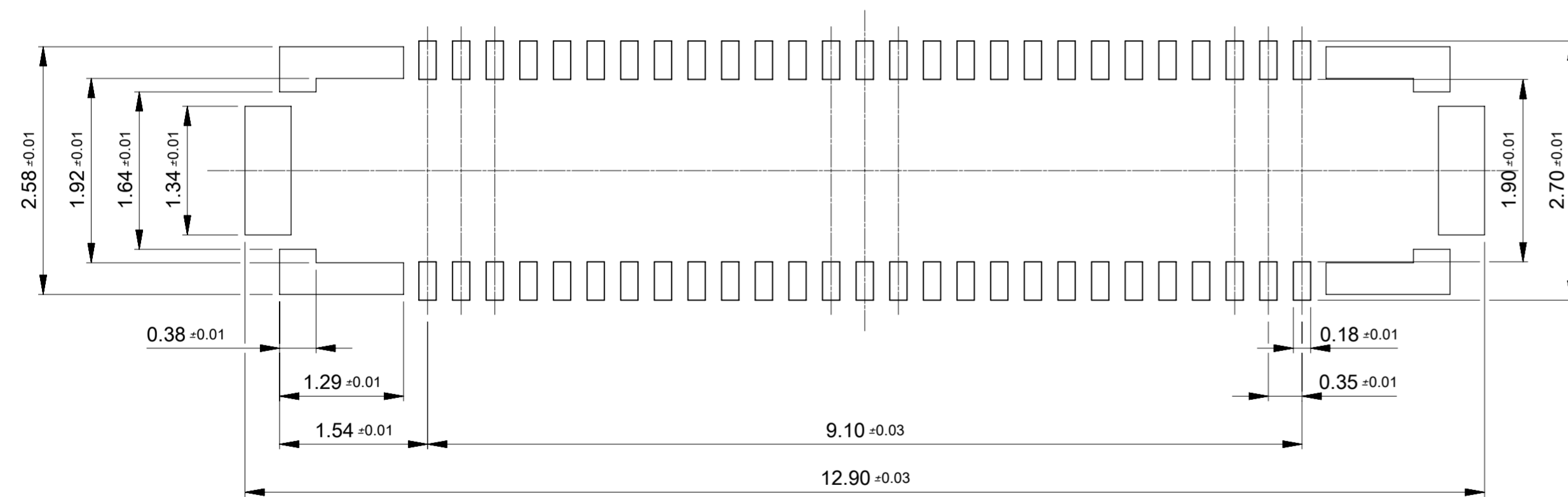
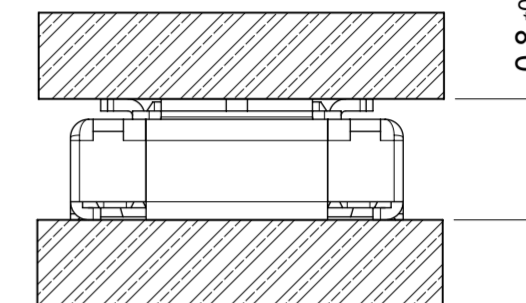
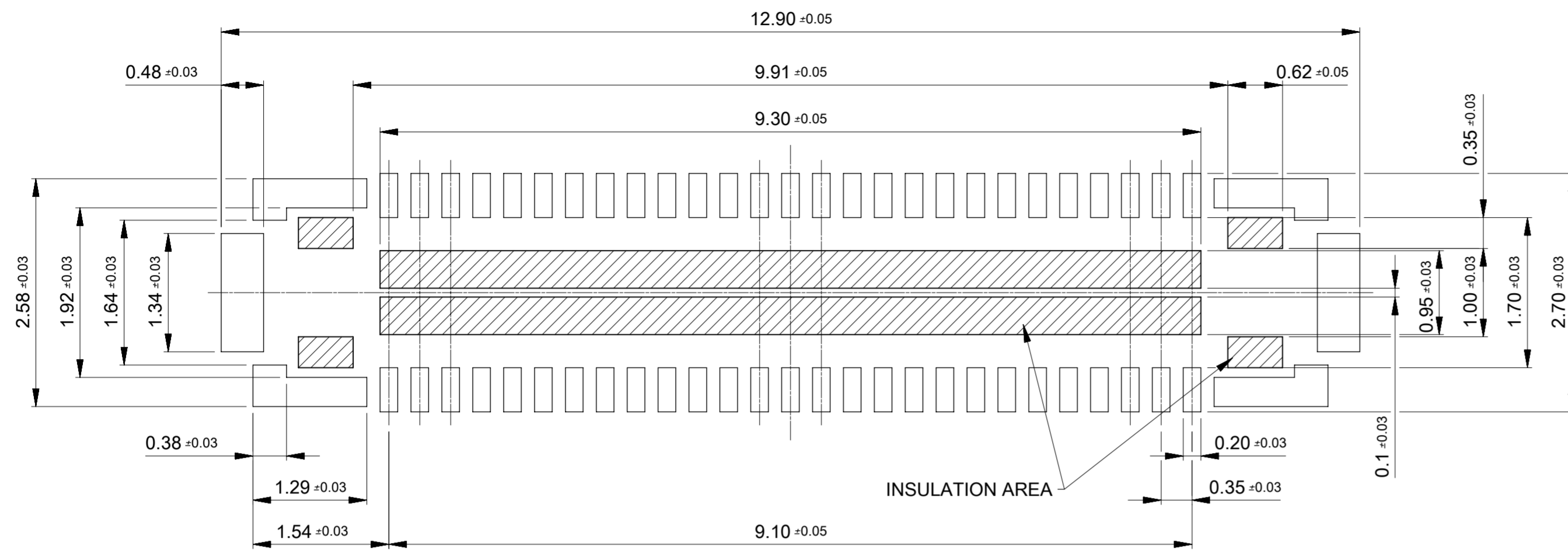
NOTES

1. MATERIAL  
HOUSING : LIQUIDE CRISTAL POLYMER UL94V-0 (COLOR:BLACK)  
TERMINAL : COPPER ALLOY  
FITTING NAIL : COPPER ALLOY
2. PLATING  
- TERMINAL  
CONTACT AREA : GOLD 0.1um MIN.  
TAIL AREA : GOLD 0.05um MIN.  
BASE PLATING : Ni 1.0um MIN.  
- FITTING NAIL(POWER)  
CONTACT AREA : GOLD 0.1um MIN.  
TAIL AREA : GOLD 0.05um MIN.  
BASE PLATING : Ni 1.0um MIN.  
DIVIDE INTO PARTS THE GOLD PLATING OF THE CONTACT AND THE TAIL PART BY THE NICKEL BARRIER.
3. MATE WHTH : 2074720540
4. COPLANARITY : SHALL BE 0.08MAX. ON BOTH OF TERMINAL AND NAIL.  
(FOR EACH AREA, THE WIRING THAT TOUCHES ON THE SOLDER CAN BE ATTACHED, THEN COVERED WITH A FILM TO KEEP SOLDER OUT)



2074710541	O	---	54
EMBOSSD TAPE PACKAGE	HIGH VOL. TOOL	LOW VOL. TOOL	Ckts
ORDER No.	SAMPLE PREPARATION		
	O : TOOLED □ : WORK PROCESS --- : TOOLING TO BE CONFIRMED		
CONNECTOR SERIES No. : 2074710540			

<b>SYMBOLS</b> △ = 0 ▽ = 0 ▽ = 0 S = 0 ▽ = 0 ▽ = 0 □ = 0 ■ = 0 ▽ = 0	THIS DRAWING CONTAINS INFORMATION THAT IS PROPRIETARY TO MOLEX ELECTRONIC TECHNOLOGIES, LLC AND SHOULD NOT BE USED WITHOUT WRITTEN PERMISSION		CURRENT REV DESC:		
	DIMENSION UNITS	SCALE	EC NO: 626666		
	mm	20:1	DRWN: SYKO01 2019/10/17		
	GENERAL TOLERANCES (UNLESS SPECIFIED)		CHK'D: KSKIM 2019/11/01		
ANGULAR TOL ± 1.0°		APPR: YSKIM02 2019/11/03		PRODUCT CUSTOMER DRAWING	
4 PLACES ± 0.05		INITIAL REVISION:		DOCUMENT NUMBER	DOC TYPE   DOC PART   REVISION
3 PLACES ± 0.05		DRWN: SYKO01 2019/01/03		2074710540	PSD   001   B
2 PLACES ± 0.05		APPR: YSKIM02 2019/04/12		MATERIAL NUMBER	CUSTOMER
1 PLACE ± 0.1		THIRD ANGLE PROJECTION		SEE SHEET 1	GENERAL
0 PLACES ± 0.2		DRAWING		SHEET NUMBER	
DRAFT WHERE APPLICABLE MUST REMAIN WITHIN DIMENSIONS		SERIES		1 OF 2	
		A2-SIZE 207471			



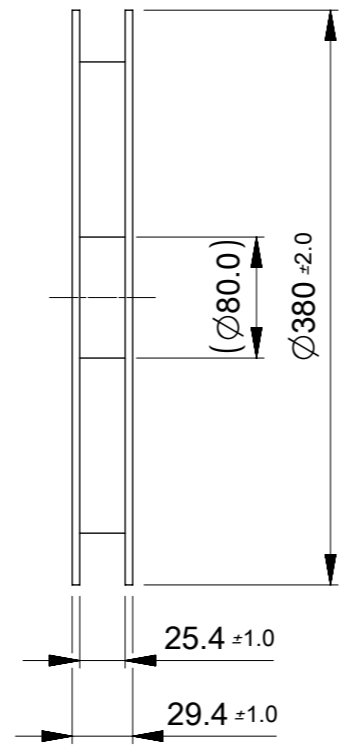
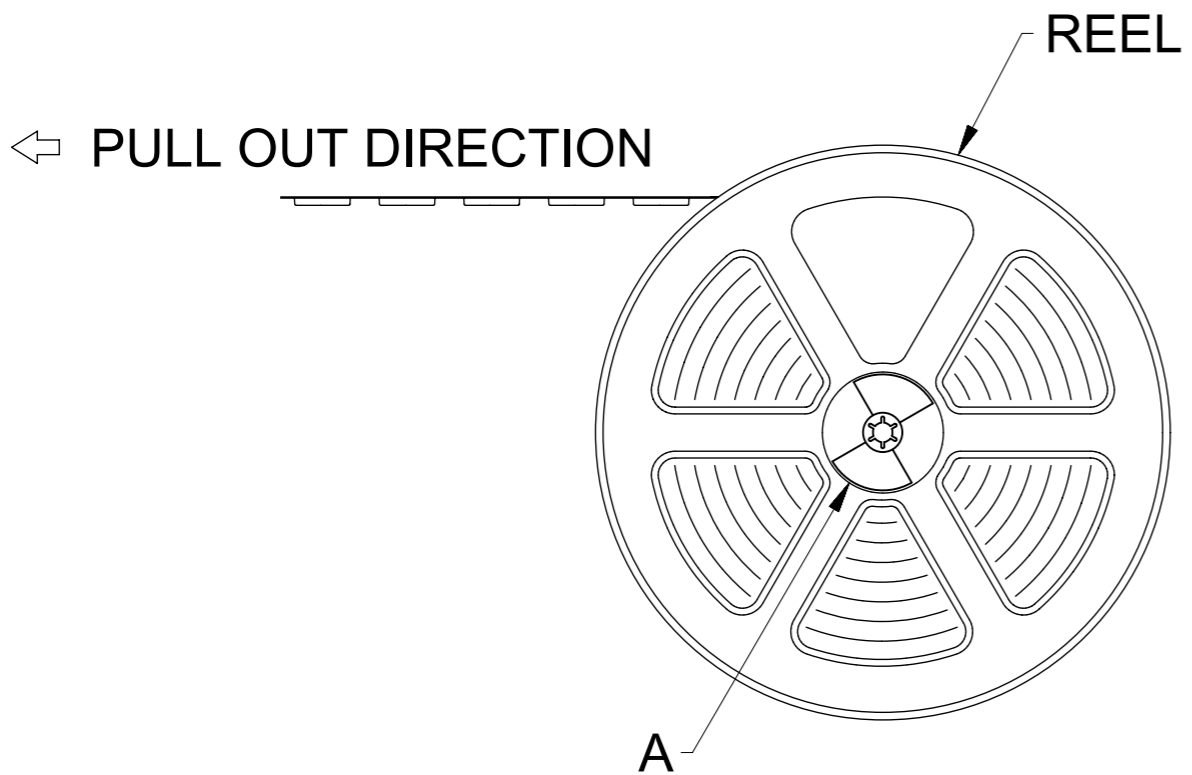
METAL MASK THICKNESS : WHEN 0.08mm  
 - SIGNAL TERMINAL OPENING RATIO : 70%  
 - FITTING NAIL(POWER)OPENING RATIO : 100%

SYMBOLS	THIS DRAWING CONTAINS INFORMATION THAT IS PROPRIETARY TO MOLEX ELECTRONIC TECHNOLOGIES, LLC AND SHOULD NOT BE USED WITHOUT WRITTEN PERMISSION		
	DIMENSION UNITS	SCALE	CURRENT REV DESC:
∇ = 0	mm	20:1	EC NO: 626666 DRWN: SYKO01 2019/10/17 CHK'D: KSKIM 2019/11/01 APPR: YSKIM02 2019/11/03
∇ = 0	GENERAL TOLERANCES (UNLESS SPECIFIED)		
∇ = 0	ANGULAR TOL ± 1.0°		INITIAL REVISION: DRWN: SYKO01 2019/01/03 APPR: YSKIM02 2019/04/12
∇ = 0	4 PLACES	± 0.05	
∇ = 0	3 PLACES	± 0.05	DOCUMENT NUMBER: 2074710540 DOC TYPE: PSD DOC PART: 001 REVISION: B
∇ = 0	2 PLACES	± 0.05	
∇ = 0	1 PLACE	± 0.1	MATERIAL NUMBER: SEE SHEET 1 CUSTOMER: GENERAL SHEET NUMBER: 2 OF 2
∇ = 0	0 PLACES	± 0.2	
∇ = 0	DRAFT WHERE APPLICABLE MUST REMAIN WITHIN DIMENSIONS	THIRD ANGLE PROJECTION	DRAWING: A2-SIZE SERIES: 207471



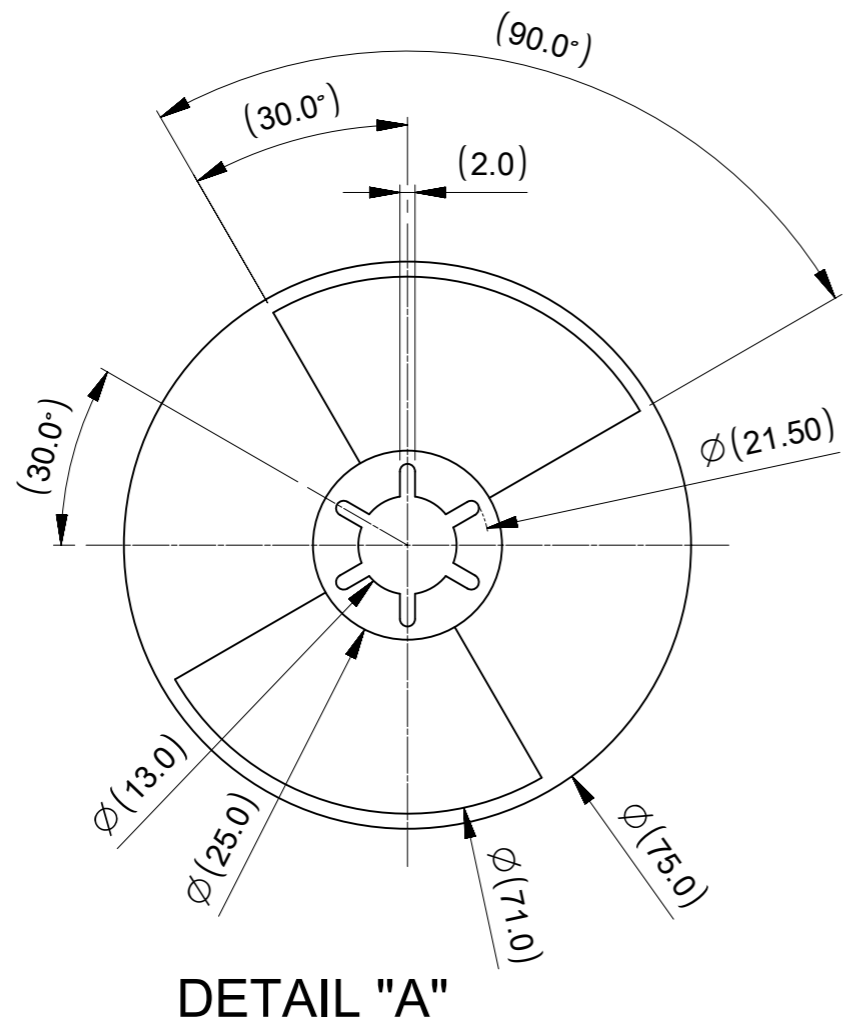
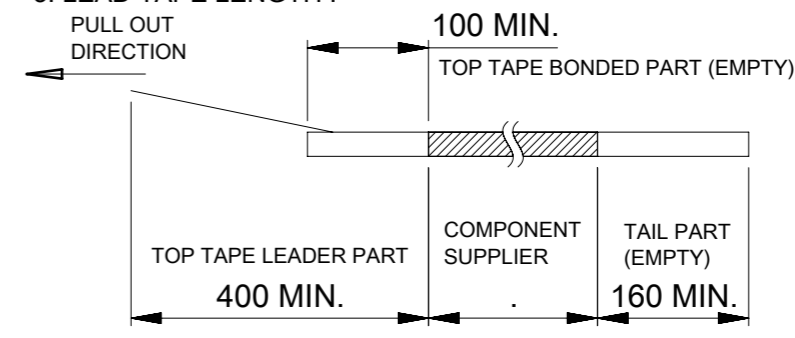
0.35 BTB REC ASSY 54CKTS

PRODUCT CUSTOMER DRAWING

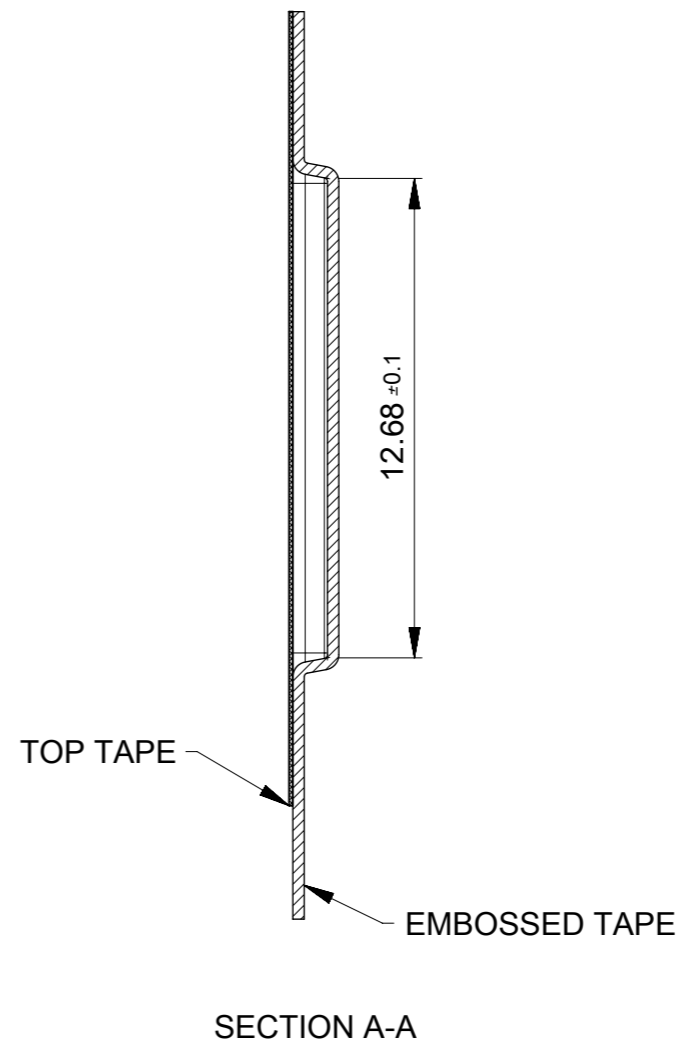
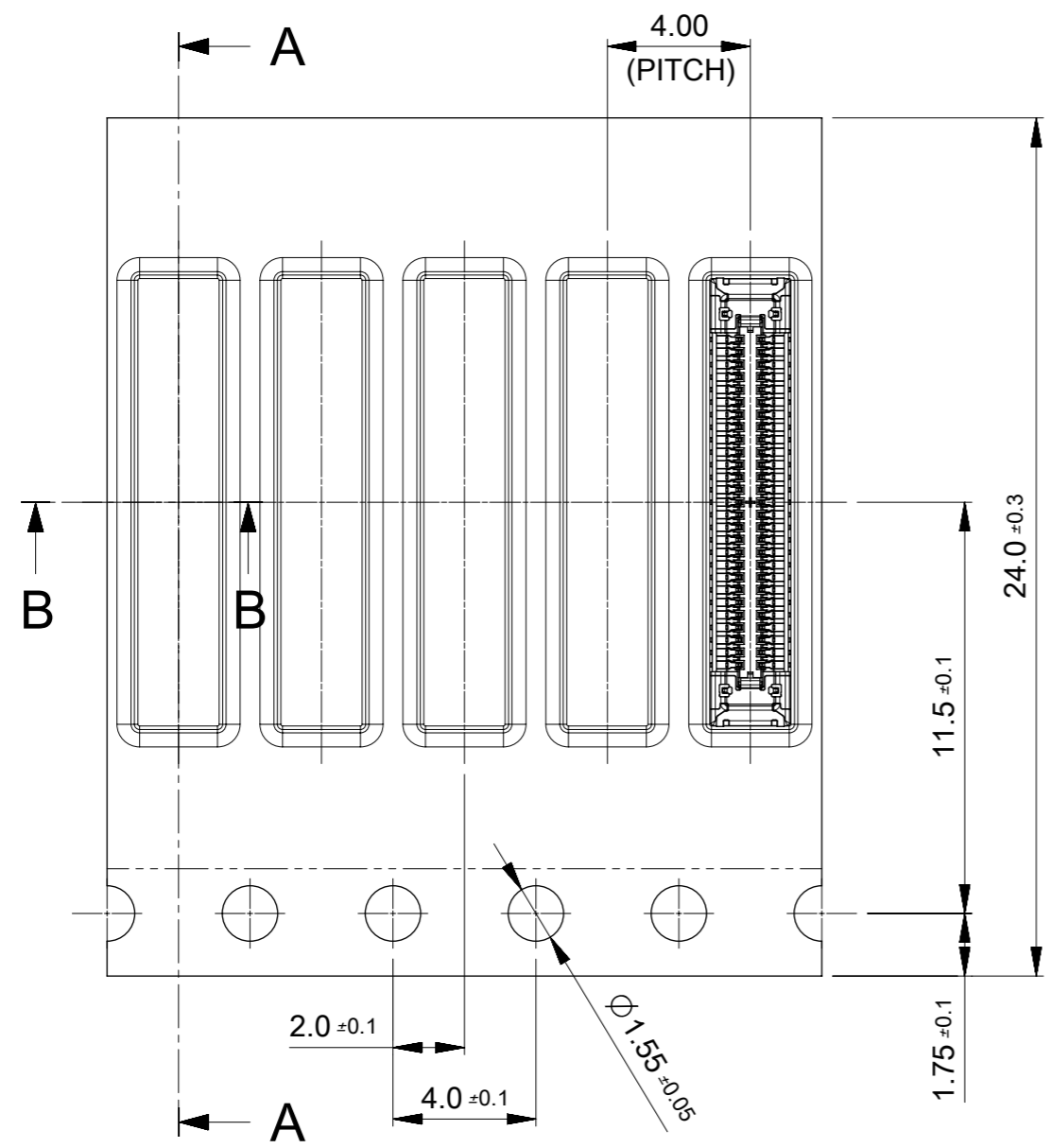


NOTES

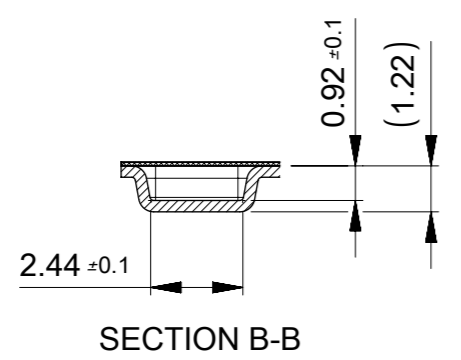
1. RE DETAILED DIMENSION, SEE PRODUCT DRAWING.
2. NUMBER OF CONNECTORS : 15,000PCS/REEL
3. LEAD TAPE LENGTH :
  - PULL OUT DIRECTION
  - 100 MIN. TOP TAPE BONDED PART (EMPTY)
  - 400 MIN. TOP TAPE LEADER PART
  - COMPONENT SUPPLIER
  - 160 MIN. TAIL PART (EMPTY)
4. PEEL OFF FORCE OF THE TOP TAPE IS DEFINED BY IEC 60286-3.
5. MATERIAL
  - CARRIER TAPE : POLYSTYRENE OR PET
  - TOP TAPE : PET, OTHER
  - REEL : POLYSTYRENE(PS) [RECYCLE MATERIAL CONTAINED]
6. ELV AND RoSH COMPLIANT.
7. REFER TO 2074710540PS001 FOR CONDITIONS AFTER OPENED THE PACKAGE.



SYMBOLS		THIS DRAWING CONTAINS INFORMATION THAT IS PROPRIETARY TO MOLEX ELECTRONIC TECHNOLOGIES, LLC AND SHOULD NOT BE USED WITHOUT WRITTEN PERMISSION		CURRENT REV DESC:		<b>molex</b>	
$\nabla = 0$	mm	SCALE	1:1	EC NO: 626666			
$\nabla = 0$	GENERAL TOLERANCES (UNLESS SPECIFIED)		DRWN: SYKO01		2019/08/29	PRODUCT CUSTOMER DRAWING	
$\nabla = 0$	ANGULAR TOL $\pm 1.0^\circ$		CHK'D: KSKIM		2019/11/01	DOCUMENT NUMBER	
$\nabla = 0$	4 PLACES	$\pm 0.05$	APPR: YSKIM02		2019/11/03	2074710541	
$\nabla = 0$	3 PLACES	$\pm 0.05$	INITIAL REVISION:		DRWN: SYKO01	2019/01/03	DOC TYPE
$\nabla = 0$	2 PLACES	$\pm 0.05$	DRWN: SYKO01		2019/04/12	PSD	DOC PART
$\nabla = 0$	1 PLACE	$\pm 0.1$	APPR: YSKIM02		2019/04/12	000	REVISION
$\nabla = 0$	0 PLACES	$\pm 0.2$	DRAFT WHERE APPLICABLE MUST REMAIN WITHIN DIMENSIONS		THIRD ANGLE PROJECTION	DRAWING	A3-SIZE
$\nabla = 0$	DRAFT WHERE APPLICABLE MUST REMAIN WITHIN DIMENSIONS		SERIES		207471	MATERIAL NUMBER	CUSTOMER
$\nabla = 0$	DRAFT WHERE APPLICABLE MUST REMAIN WITHIN DIMENSIONS		SEE CHART		GENERAL	SHEET NUMBER	
$\nabla = 0$	DRAFT WHERE APPLICABLE MUST REMAIN WITHIN DIMENSIONS		1		1 OF 2		



← PULL OUT DIRECTION



THIS DRAWING CONTAINS INFORMATION THAT IS PROPRIETARY TO MOLEX ELECTRONIC TECHNOLOGIES, LLC AND SHOULD NOT BE USED WITHOUT WRITTEN PERMISSION										
SYMBOLS	DIMENSION UNITS	SCALE	CURRENT REV DESC:							
	mm	5:1	<p><b>molex</b></p> <p>0.35 BTB REC ASSY 54CKTS EMBSTP PKG</p>							
GENERAL TOLERANCES (UNLESS SPECIFIED)			PRODUCT CUSTOMER DRAWING							
▽ = 0	ANGULAR TOL	± 1.0 °	EC NO: 626666				2019/08/29		DOCUMENT NUMBER	DOC TYPE
▽ = 0	4 PLACES	± 0.05	DRWN: SYKO01				2019/11/01		2074710541	PSD
▽ = 0	3 PLACES	± 0.05	CHK'D: KSKIM				2019/11/03		000	REVISION
▽ = 0	2 PLACES	± 0.05	APPR: YSKIM02				2019/11/03		A1	
▽ = 0	1 PLACE	± 0.1	INITIAL REVISION:				2019/01/03		MATERIAL NUMBER	CUSTOMER
▽ = 0	0 PLACES	± 0.2	DRWN: SYKO01				2019/04/12		SEE CHART	GENERAL
□ = 0	DRAFT WHERE APPLICABLE MUST REMAIN WITHIN DIMENSIONS		THIRD ANGLE PROJECTION		DRAWING	SERIES	MATERIAL NUMBER	CUSTOMER	SHEET NUMBER	
▽ = 0					A3-SIZE	207471	SEE CHART	GENERAL	2 OF 2	