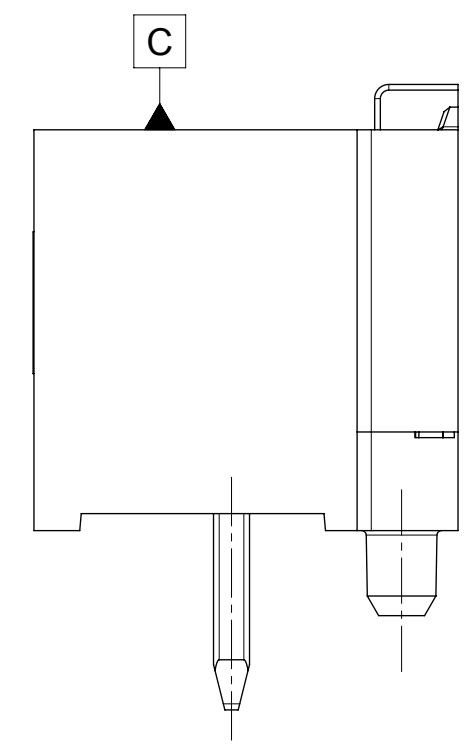
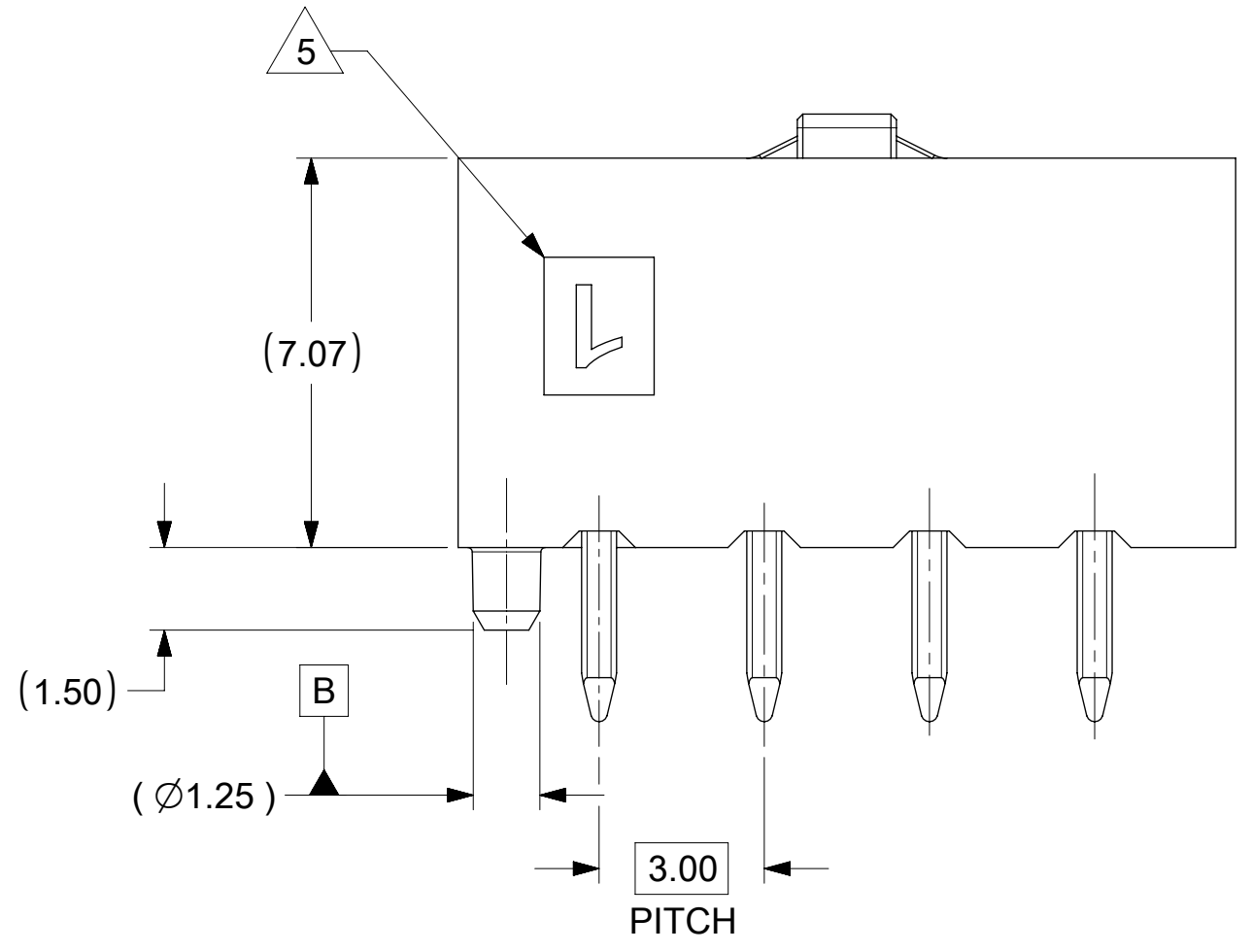
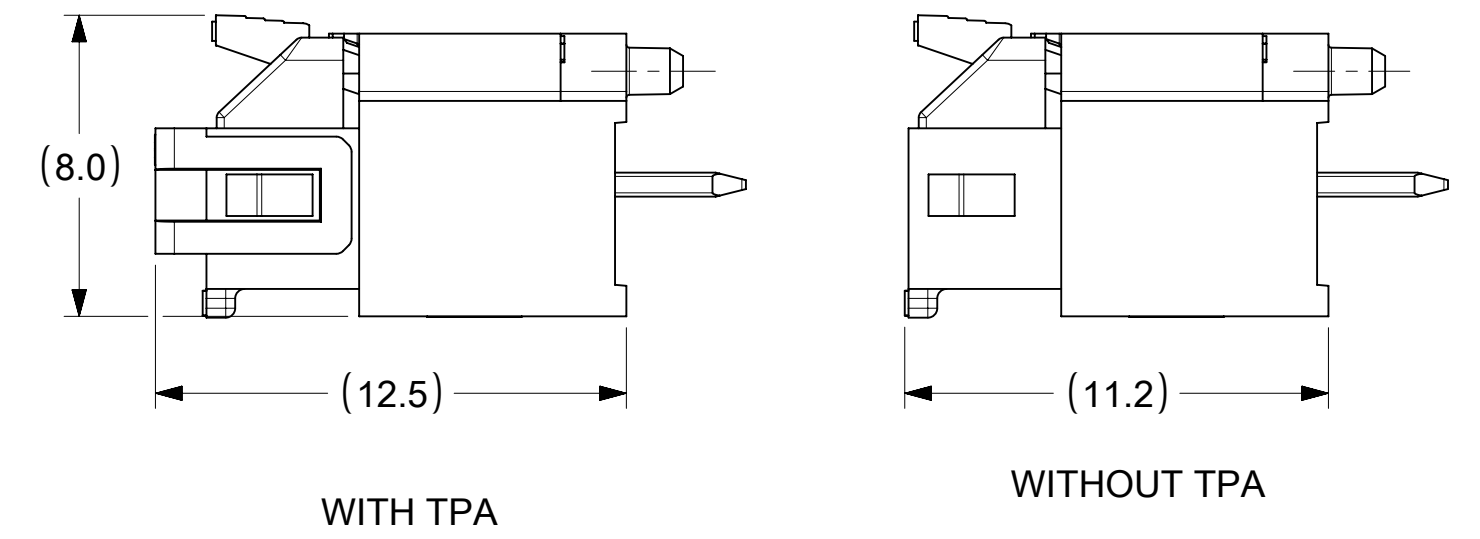


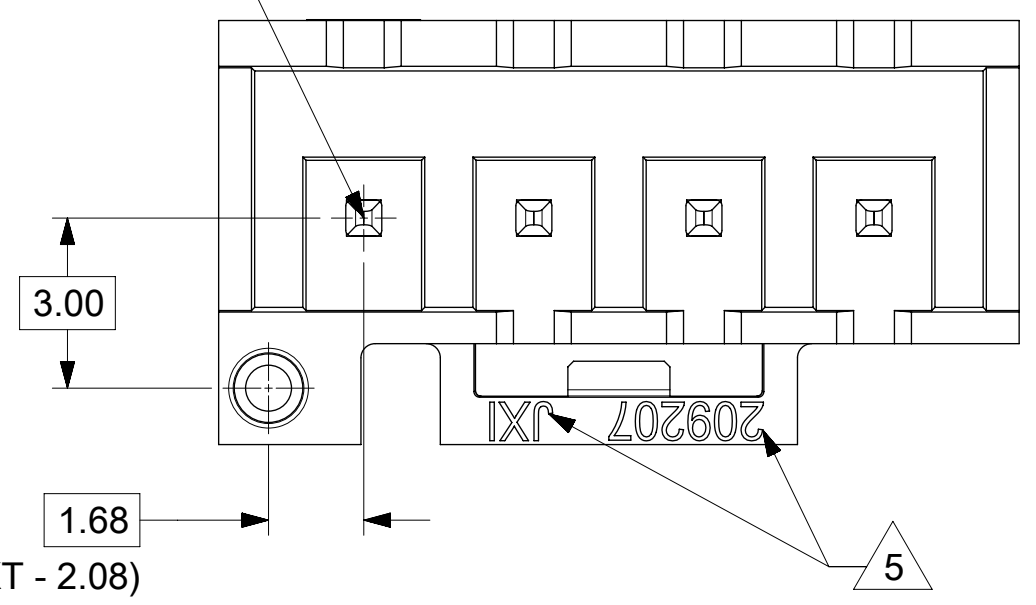
ISOMETRIC VIEW FOR 4 CKT
HEADER ASSEMBLY



ASSEMBLY DIMENSIONS



⊕ Ø0.40 C B



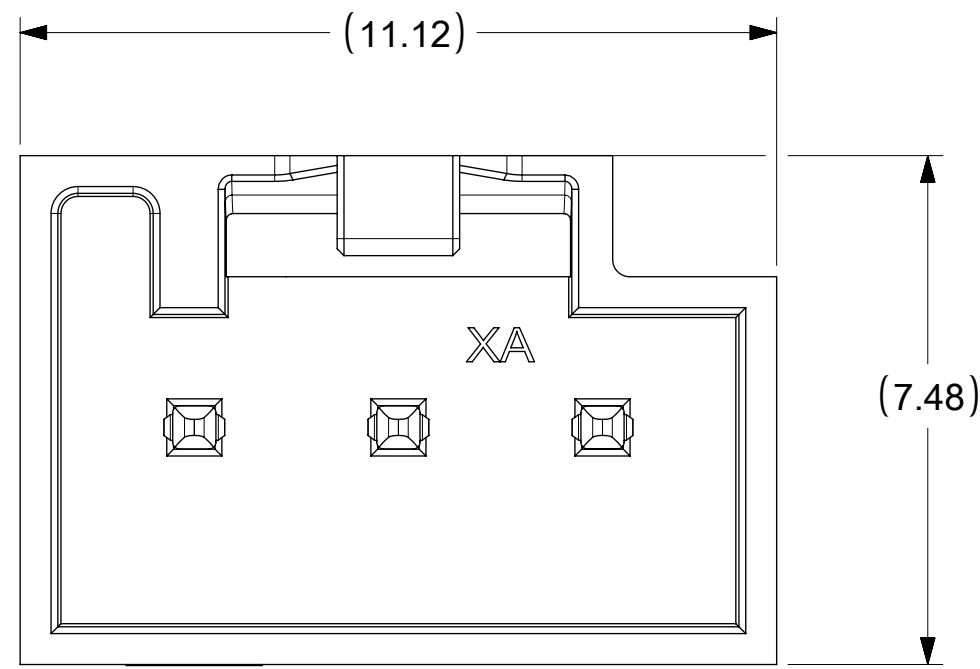
- NOTES:
- MATERIAL:
 - HOUSING: LIQUID CRYSTAL POLYMER, RATED UL 94V-0, COLOUR-BLACK
 - TERMINAL: COPPER ALLOY
PLATING: TIN OVER NICKEL OVERALL.
 - PRODUCT SPECIFICATION: 2092080000-PS
 - PACKAGING SPECIFICATION: 2092080002-PK
 - COSMETIC SPECIFICATION: PS-45499-002 CLASS B
 - CIRCUIT ID, CAVITY ID, SERIES NUMBER, FACTORY ID LOCATION

HEADER ASSEMBLY PN	CKT	HOUSING PN	TERMINAL PN	DIM. "B"
2092080002	2	2092070002	2117310001	8.92
2092080003	3	2092070003		11.12
2092080004	4	2092070004		14.12

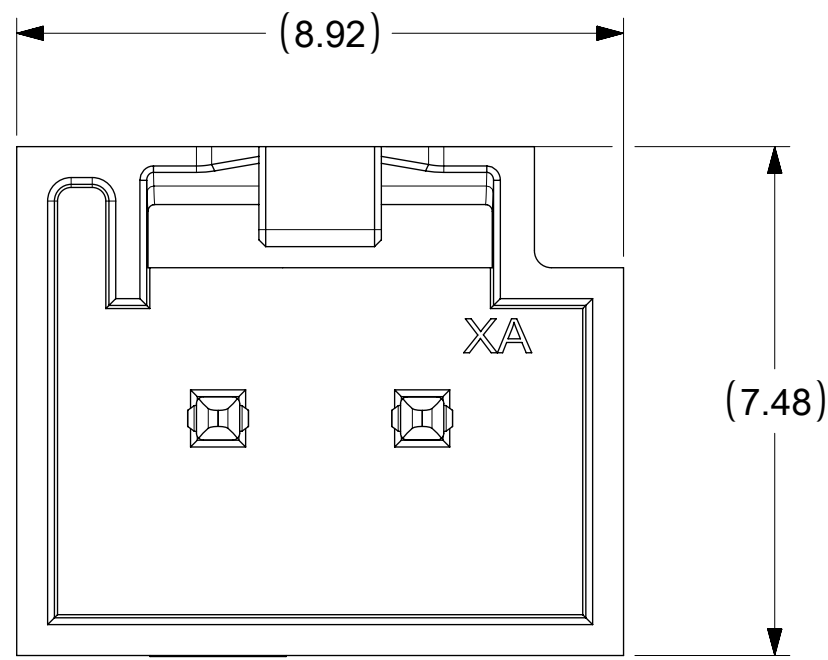
THIS DRAWING CONTAINS INFORMATION THAT IS PROPRIETARY TO MOLEX ELECTRONIC TECHNOLOGIES, LLC AND SHOULD NOT BE USED WITHOUT WRITTEN PERMISSION

DIMENSION UNITS	SCALE	CURRENT REV DESC: PRODUCTION RELEASE		molex									
mm	6:1												
GENERAL TOLERANCES (UNLESS SPECIFIED)				HEADER ASSEMBLY FOR L1NK 300 WTB CONNECTOR SYSTEM									
ANGULAR TOL ± °				PRODUCT CUSTOMER DRAWING									
4 PLACES ±		EC NO: 642537		DOCUMENT NUMBER									
3 PLACES ±		DRWN: MUM		2019/01/16									
2 PLACES ± 0.25		CHK'D: ISHWARG		2020/07/30									
1 PLACE ± 0.3		APPR: ISHWARG		2020/07/30									
0 PLACES ±		INITIAL REVISION:		DOC TYPE DOC PART REVISION									
DRAFT WHERE APPLICABLE MUST REMAIN WITHIN DIMENSIONS		THIRD ANGLE PROJECTION		DRAWING		SERIES		MATERIAL NUMBER		CUSTOMER		SHEET NUMBER	
		C-SIZE		209208		2092080000-SD		PSD 000		A1		1 OF 2	

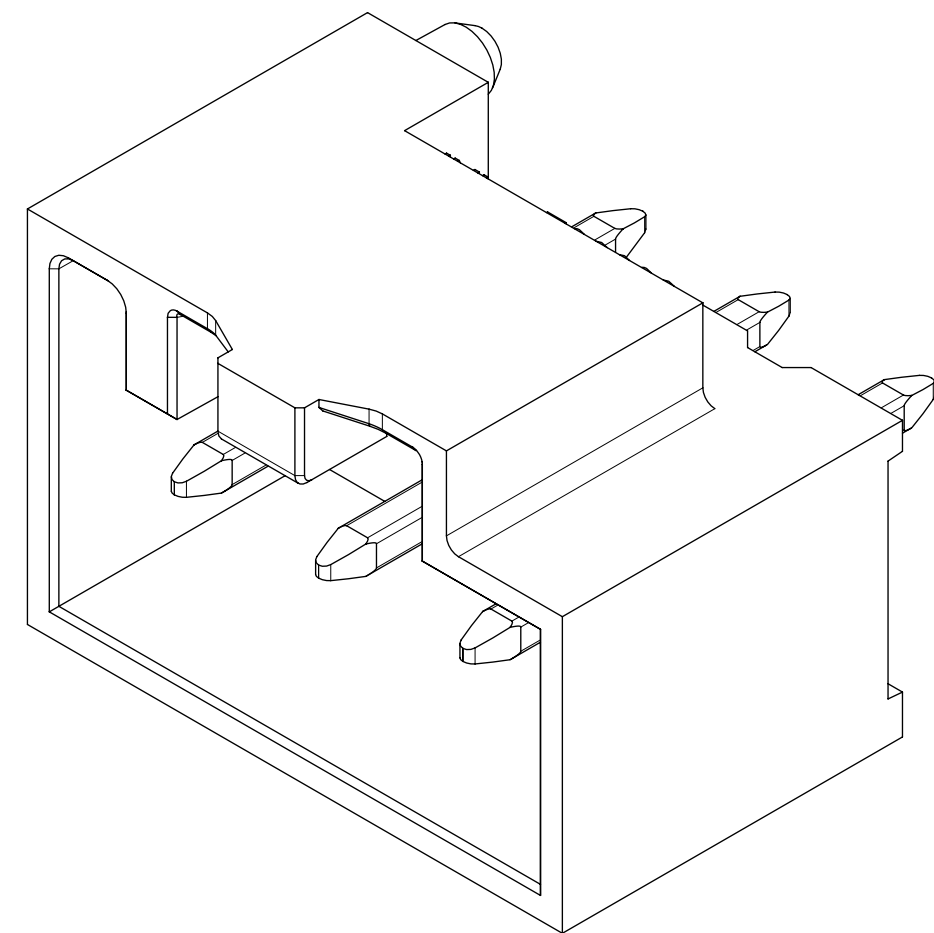
POLARIZATION



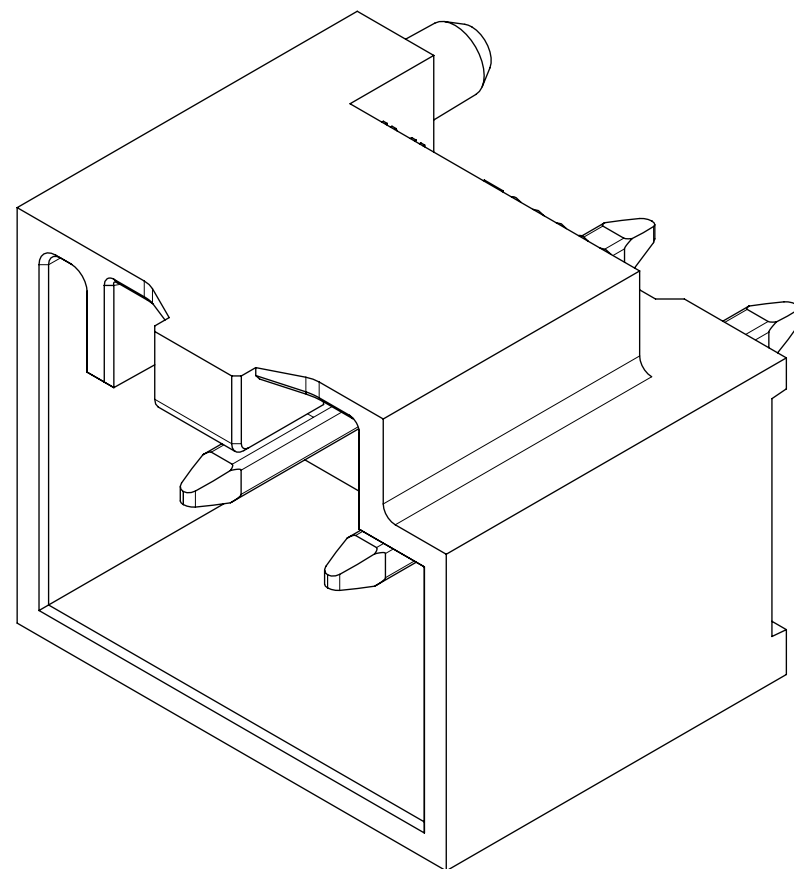
3 & 4 CKT HEADER ASSEMBLY



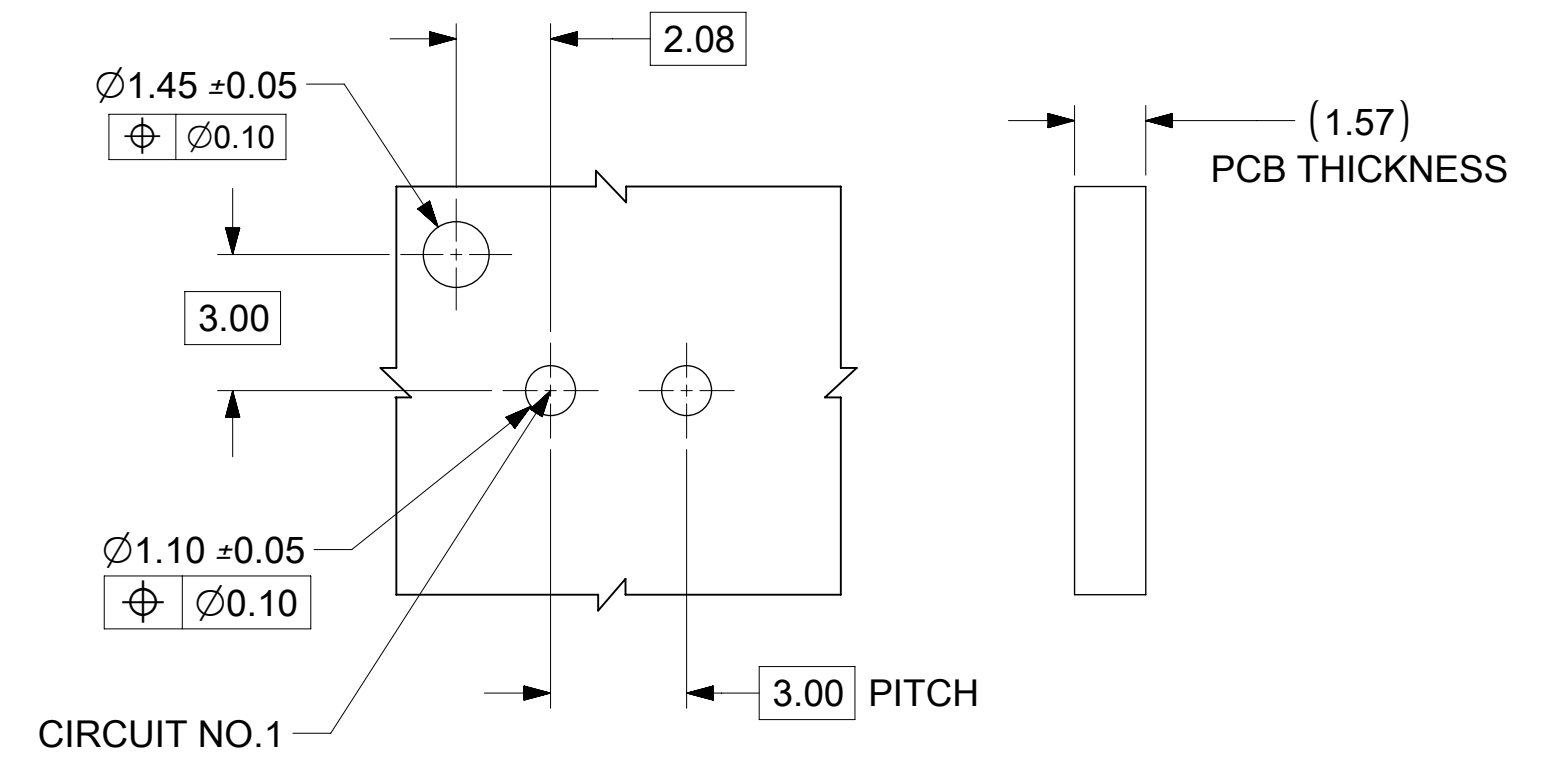
2 CKT HEADER ASSEMBLY



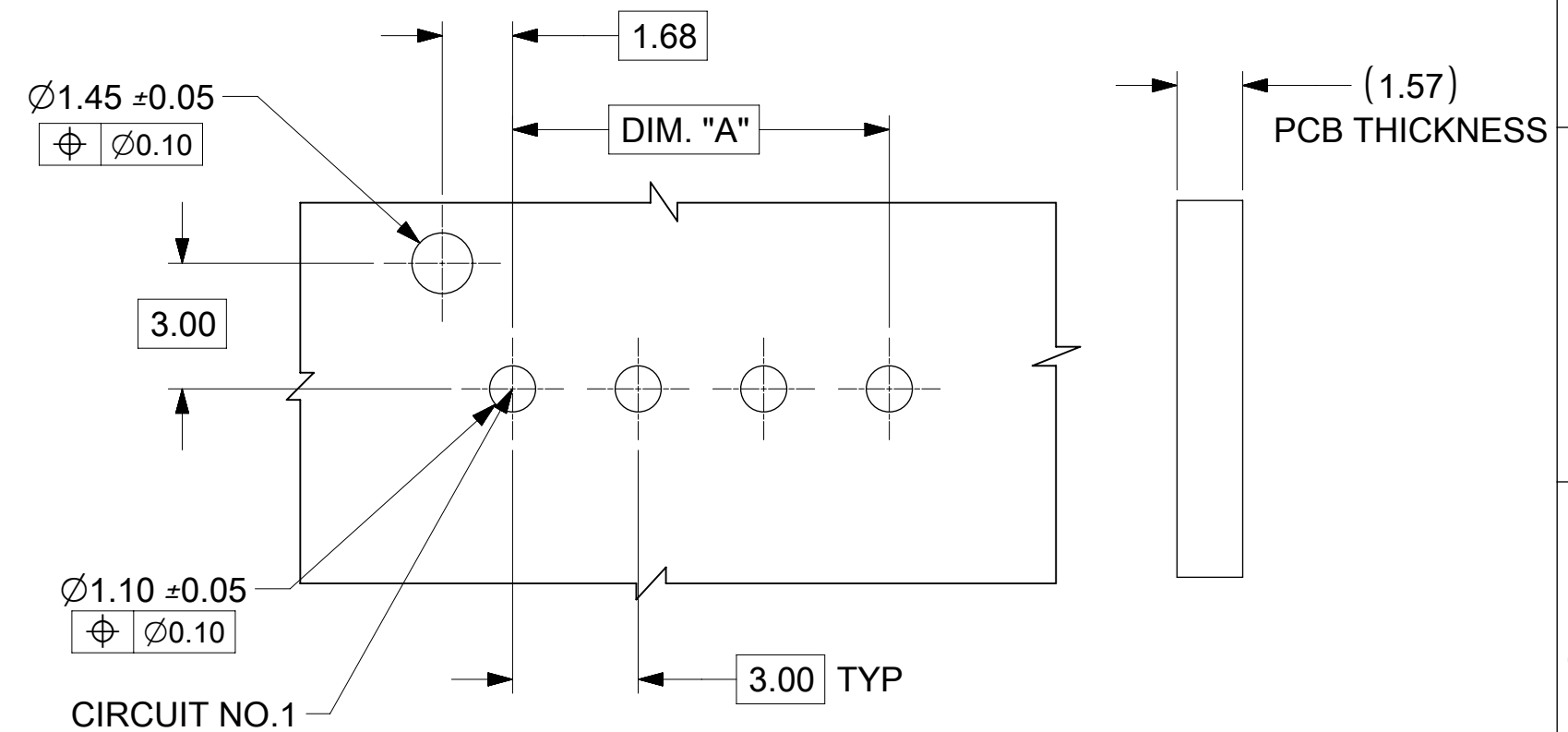
ISOMETRIC VIEW FOR
3 & 4 CKT HEADER ASSEMBLY



ISOMETRIC VIEW FOR
2 CKT HEADER ASSEMBLY



RECOMMENDED PCB HOLE LAYOUT
FOR 2CKT HEADER ASSEMBLY FROM MATING SIDE



RECOMMENDED PCB HOLE LAYOUT
FOR 3CKT & 4CKT HEADER ASSEMBLY FROM MATING SIDE

THIS DRAWING CONTAINS INFORMATION THAT IS PROPRIETARY TO MOLEX ELECTRONIC TECHNOLOGIES, LLC AND SHOULD NOT BE USED WITHOUT WRITTEN PERMISSION

DIMENSION UNITS		SCALE		CURRENT REV DESC: PRODUCTION RELEASE											
mm		8:1													
GENERAL TOLERANCES (UNLESS SPECIFIED)								HEADER ASSEMBLY FOR L1NK 300 WTB CONNECTOR SYSTEM							
ANGULAR TOL ± °								PRODUCT CUSTOMER DRAWING							
4 PLACES ±		EC NO: 642537		DRWN: MUM		2020/07/13		DOCUMENT NUMBER							
3 PLACES ±		CHK'D: ISHWARG		APPR: ISHWARG		2020/07/30		2092080000-SD		DOC TYPE		DOC PART		REVISION	
2 PLACES ± 0.25		INITIAL REVISION:		DRWN: GSHARMA		2019/01/16		PSD		000		A1			
1 PLACE ± 0.3		APPR: ISHWARG		MATERIAL NUMBER		2020/05/22		SEE TABLE		CUSTOMER		GENERAL MARKET		SHEET NUMBER	
0 PLACES ±		DRAFT WHERE APPLICABLE MUST REMAIN WITHIN DIMENSIONS		THIRD ANGLE PROJECTION		DRAWING		C-SIZE		SERIES		209208		2 OF 2	