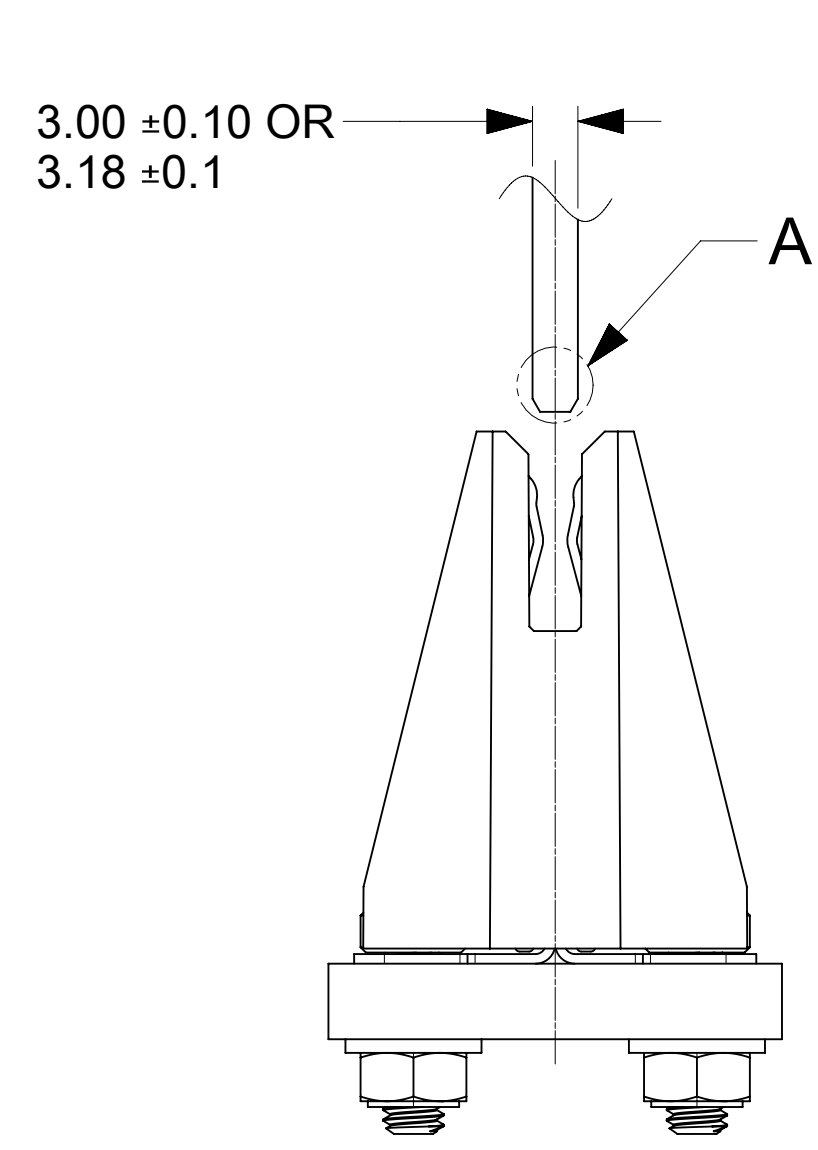
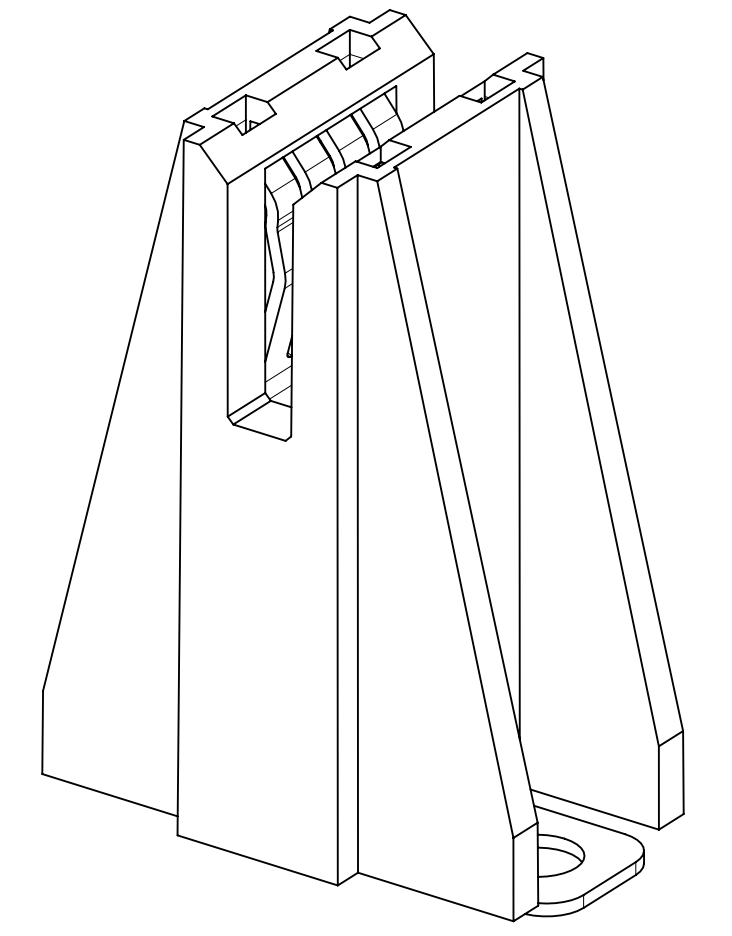
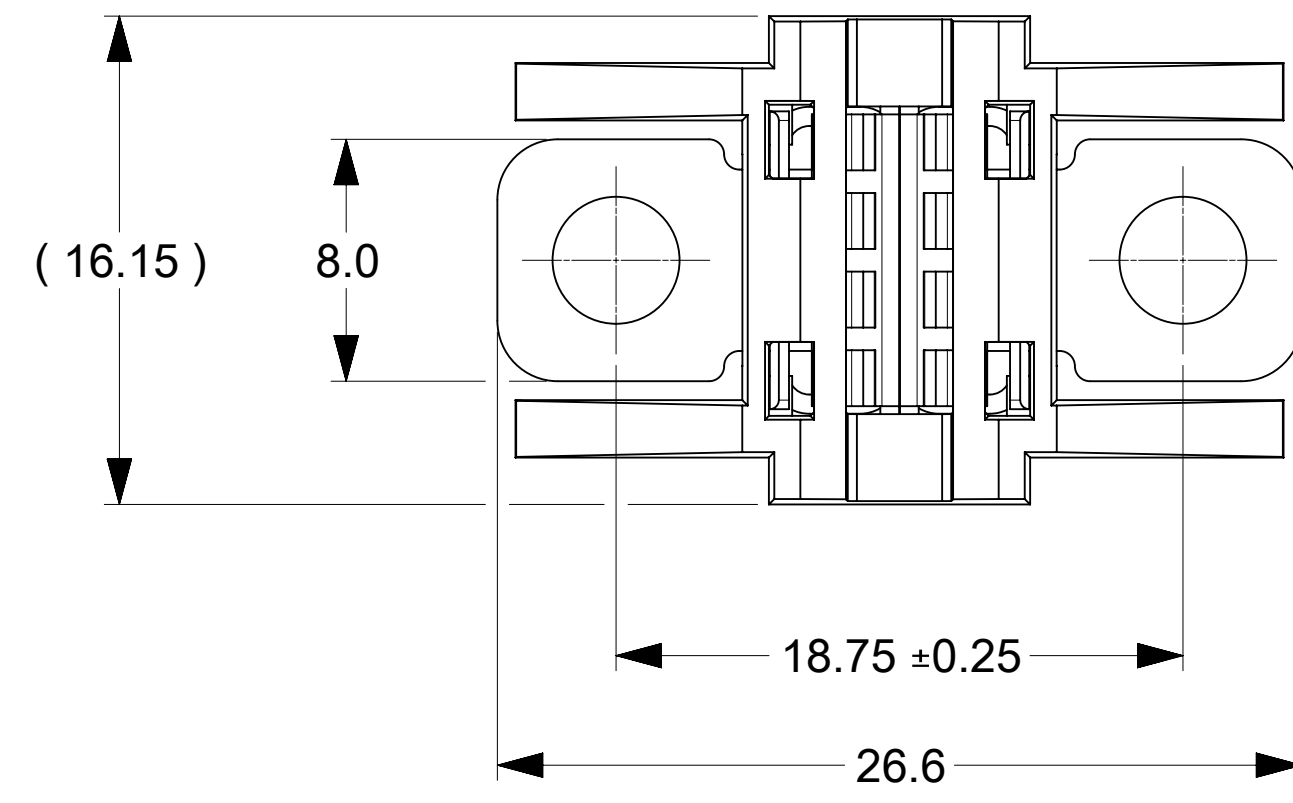
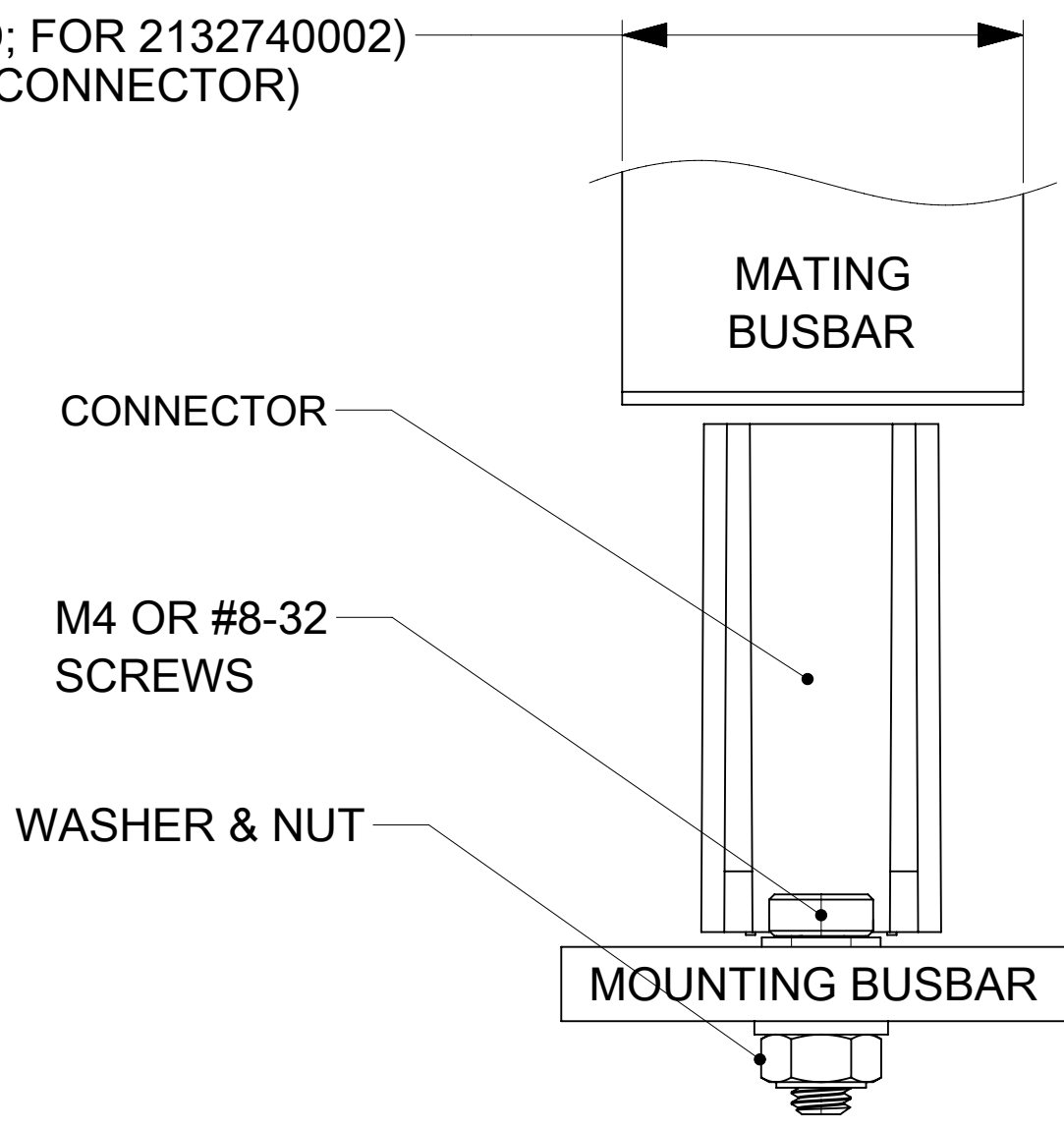


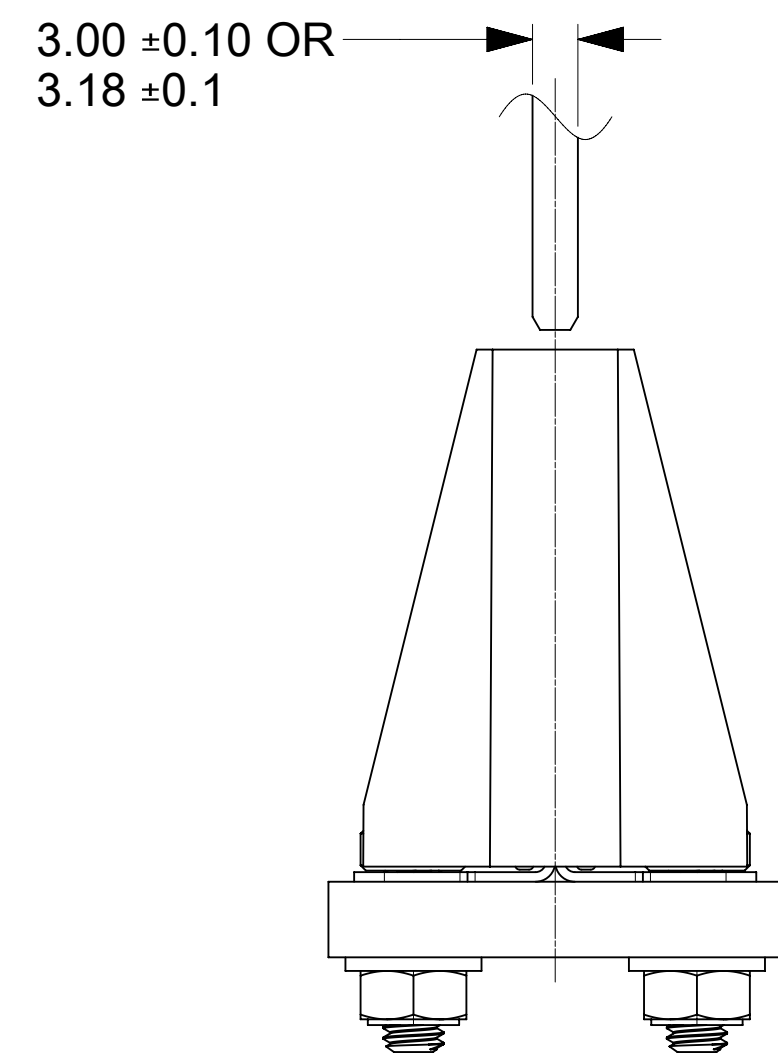
PART NUMBER	DESCRIPTION	NOTE
2132740002	OPEN SIDE WALL	
2132741002	CLOSED SIDE WALL	



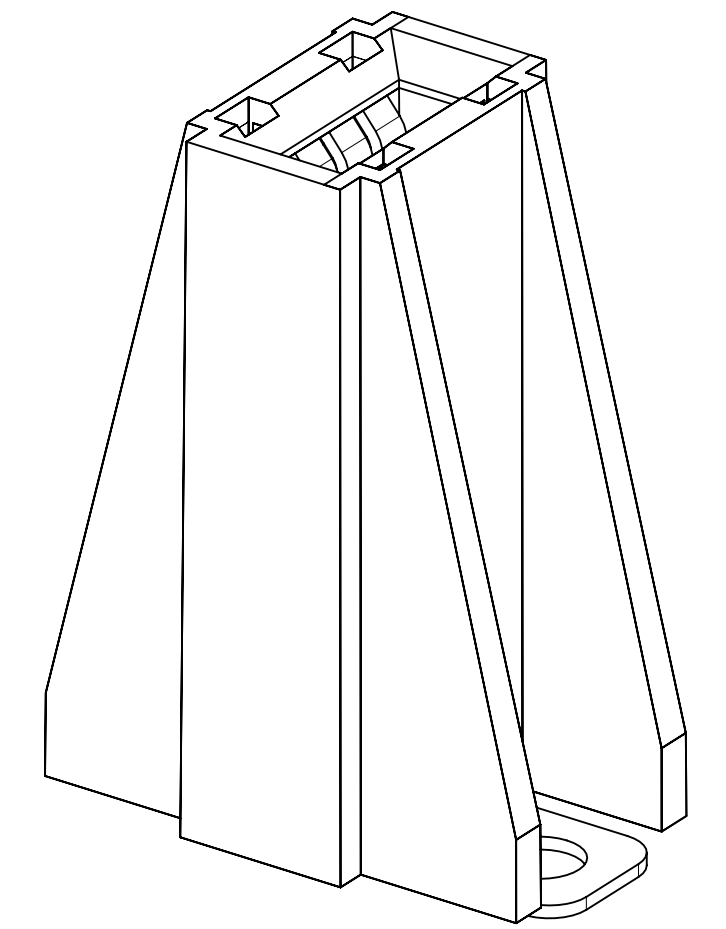
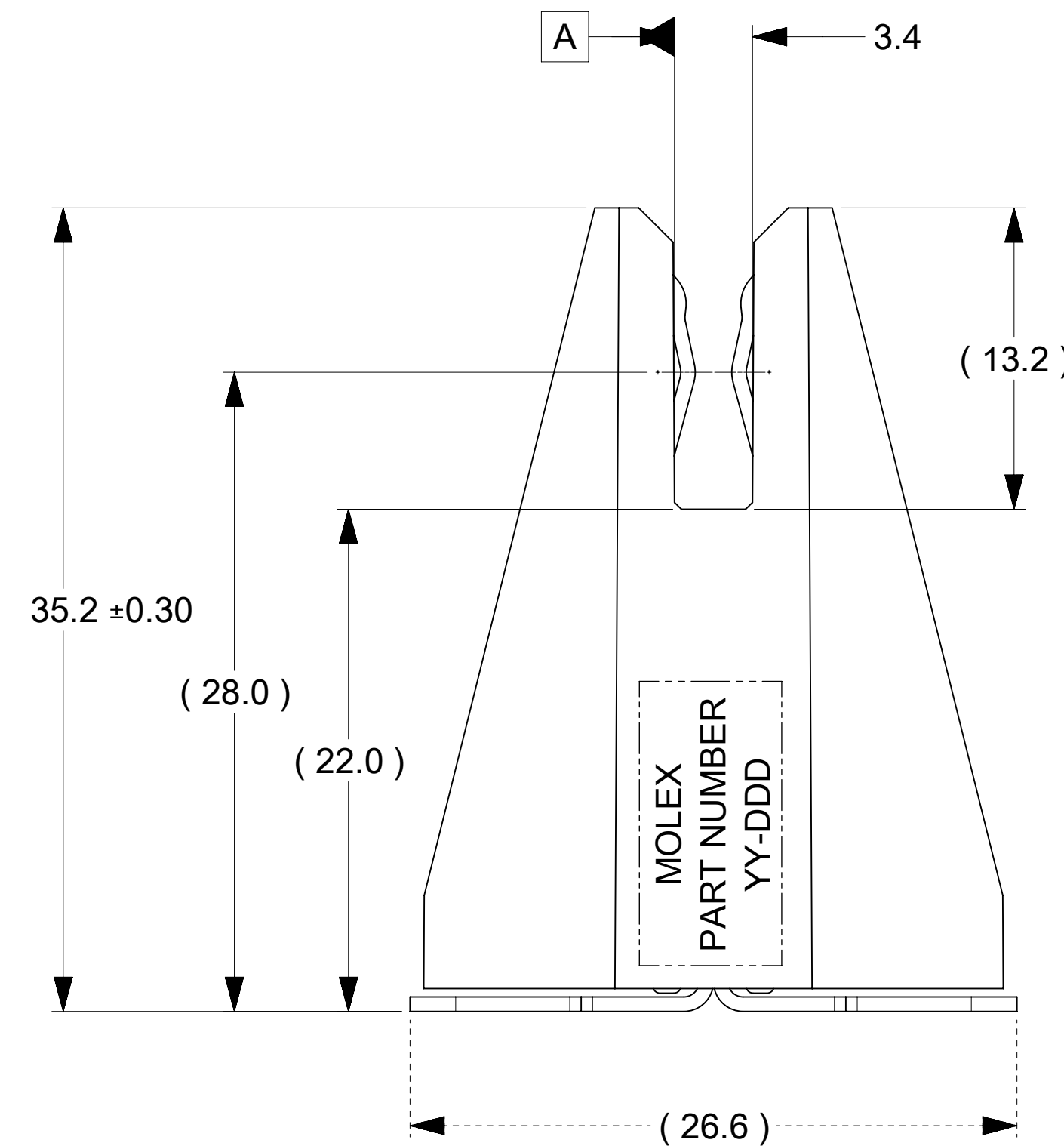
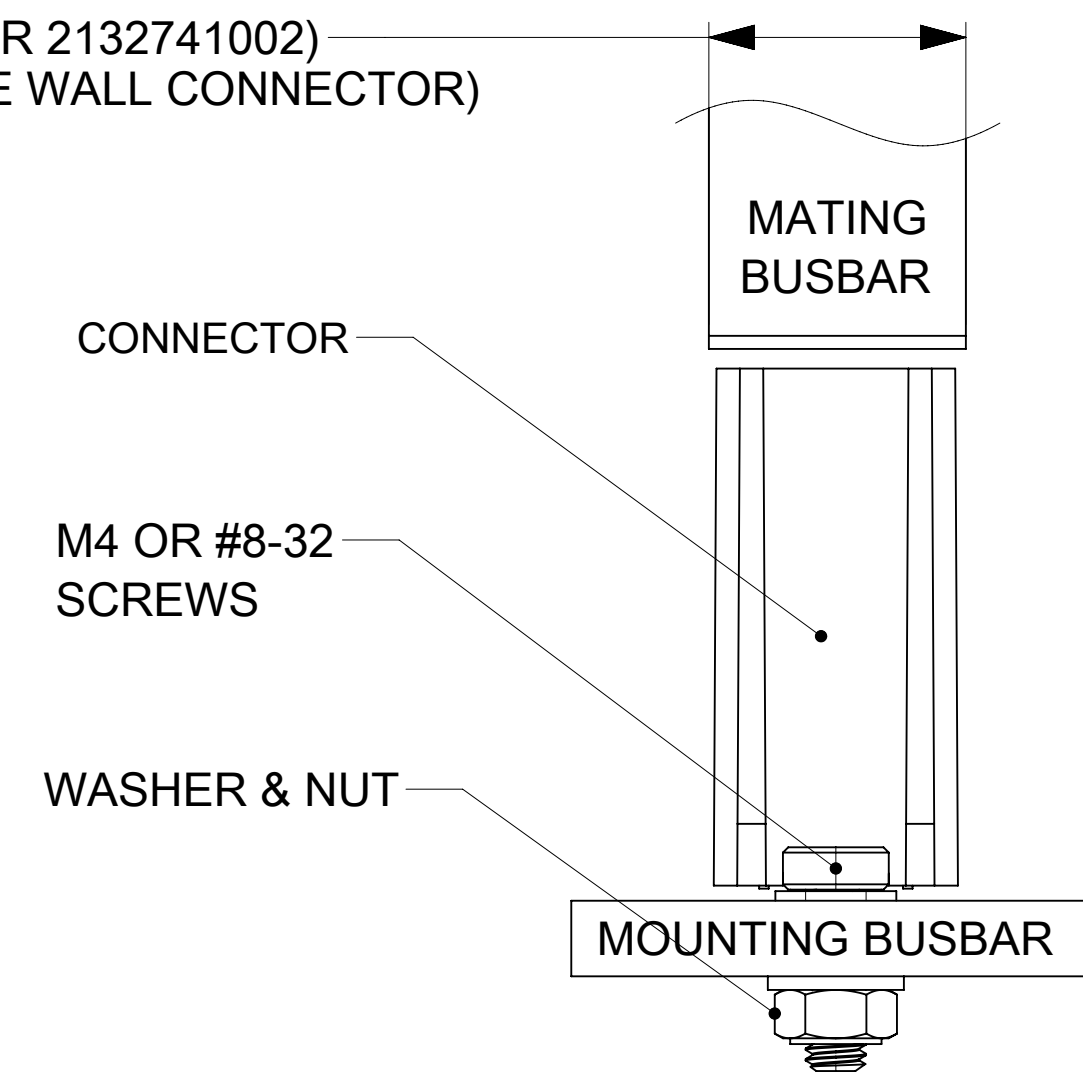
>15 (>20 IS PREFERRED; FOR 2132740002)  
(OPEN SIDE WALL CONNECTOR)



PART NUMBER: 2132740002  
(OPEN SIDE WALLS)

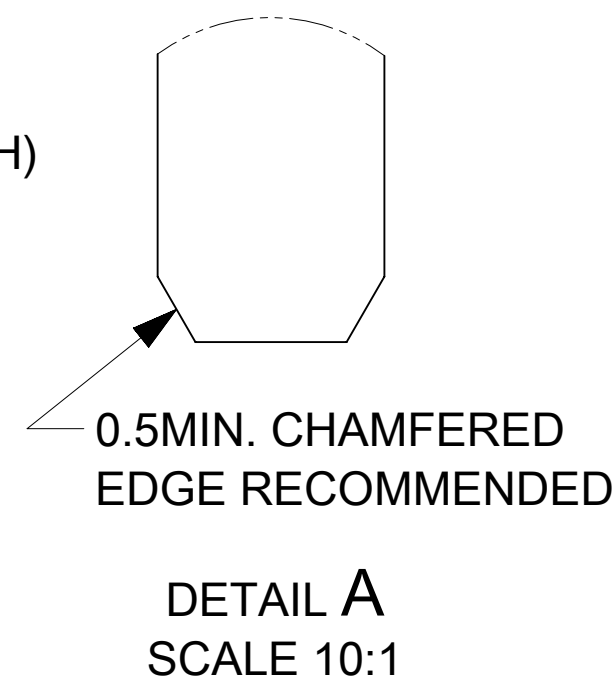
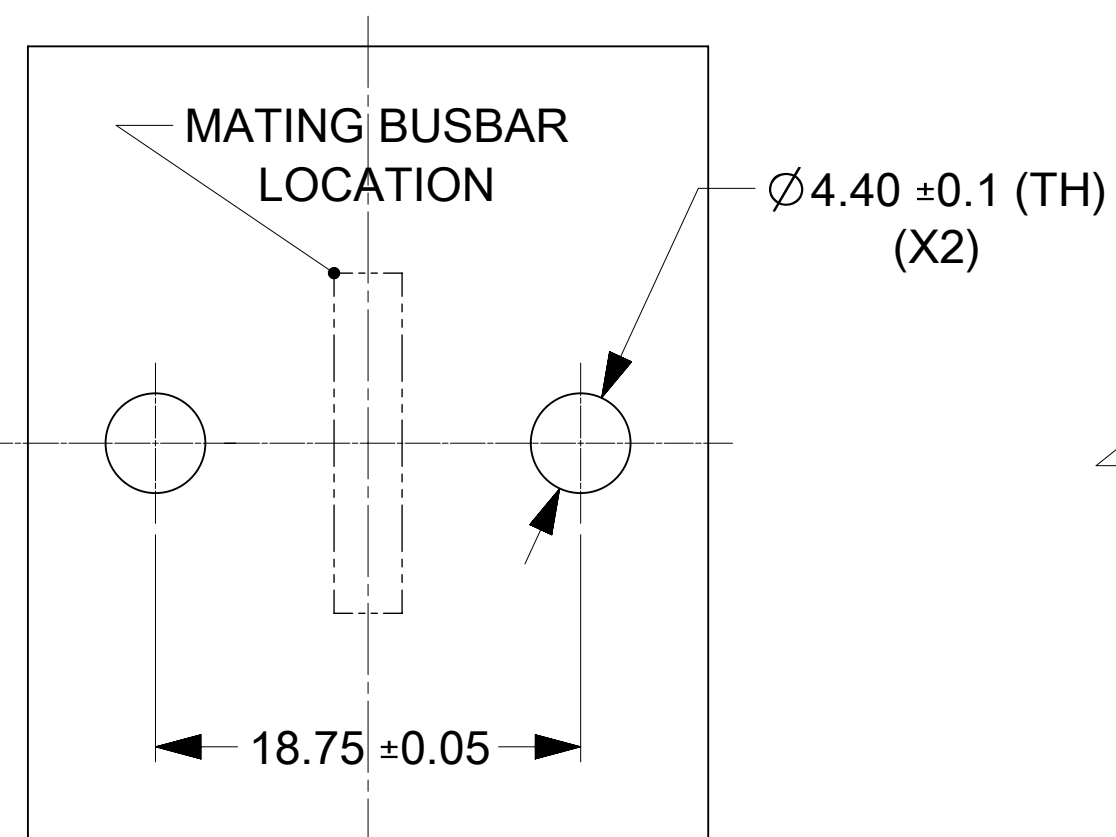


9.5 (FOR 2132741002)  
(CLOSED SIDE WALL CONNECTOR)



PART NUMBER: 2132741002  
(CLOSED SIDE WALLS)

BUSBARS, SCREWS, WASHER AND NUTS  
IN THESE VIEWS ARE SHOWN FOR REFERENCE



NOTES:

- MATERIALS:
  - HOUSING BODY: POLYMER, UL94V-0, BLACK.
  - TERMINALS: COPPER ALLOY.
  - RIVET/CLIP: COPPER ALLOY.
- PLATING:
  - CONTACT AREAS: 3.18 MICRON MIN. SILVER, OVER 1.27 MICRON MIN. NICKEL.
  - TAB AREAS: 3.18 MICRON MIN. TIN OVER 1.27 MICRON MIN. NICKEL.
  - REST: 1.27 MICRON MIN. NICKEL.
- LUBRICATION: LUBED IN CONTACT AREA.
- REFERENCE DOCUMENT: 2132740001-PS, 2132740001-AS
- MODULE ASSEMBLY IS RoHS COMPLIANT.
- FINAL ASSEMBLY TO BE PACKAGED AND LABELED PER PACKAGING KIT DRAWING NUMBER 2132740002-PK.

DIMENSION UNITS		SCALE	CURRENT REV DESC:		
mm		3:1			
GENERAL TOLERANCES (UNLESS SPECIFIED)			EC NO: 691462		
4 PLACES	±		DRWN: TOMLU	2022/03/02	
3 PLACES	±		CHK'D: BPISZCZOR	2022/03/09	
2 PLACES	±	0.15	APPR: BPISZCZOR	2022/03/09	
1 PLACE	±	0.25	INITIAL REVISION:		
0 PLACES	±		DRWN: TOMLU	2021/06/23	
DRAFT WHERE APPLICABLE MUST REMAIN WITHIN DIMENSIONS			APPR: BPISZCZOR	2022/03/09	
THIRD ANGLE PROJECTION		DRAWING	SERIES	MATERIAL NUMBER	CUSTOMER
		D-SIZE	213274	SEE CHART	
DOCUMENT NUMBER			DOC TYPE	DOC PART	REVISION
2132740002-SD			PSD	000	A
SHEET NUMBER					1 OF 1