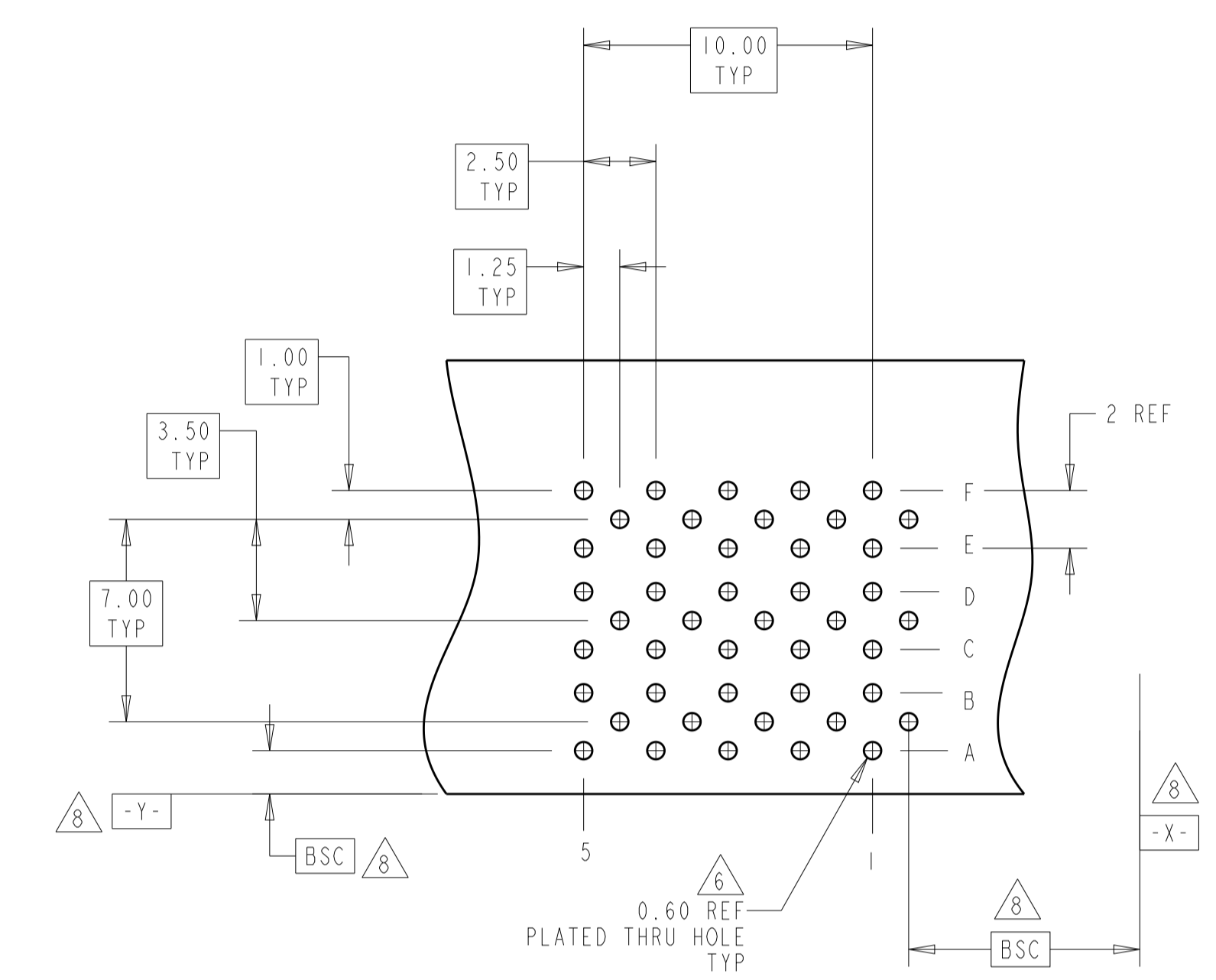
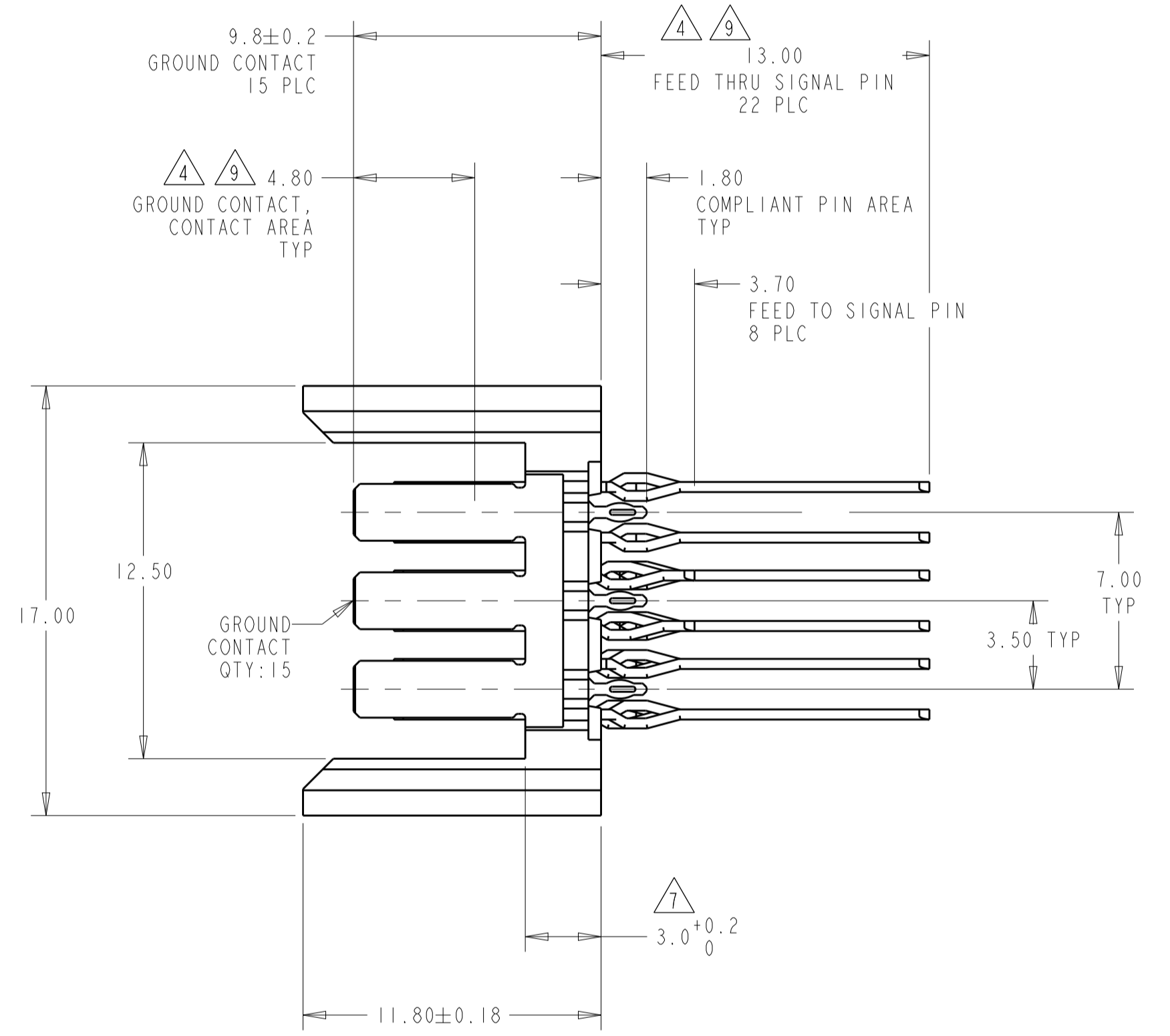
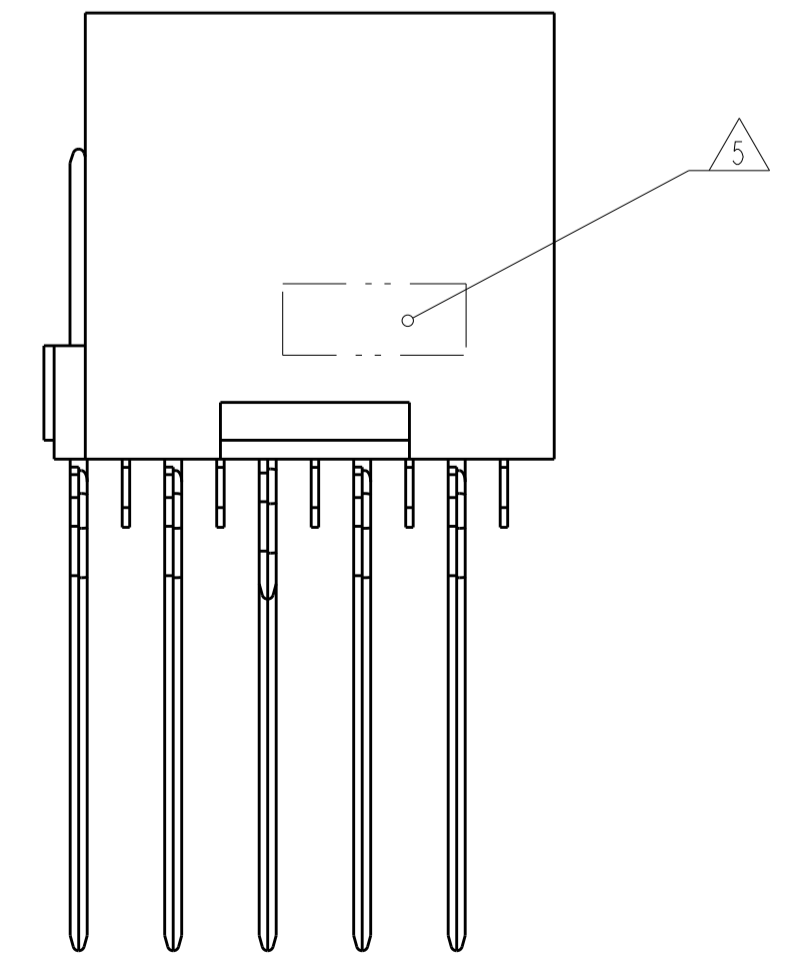
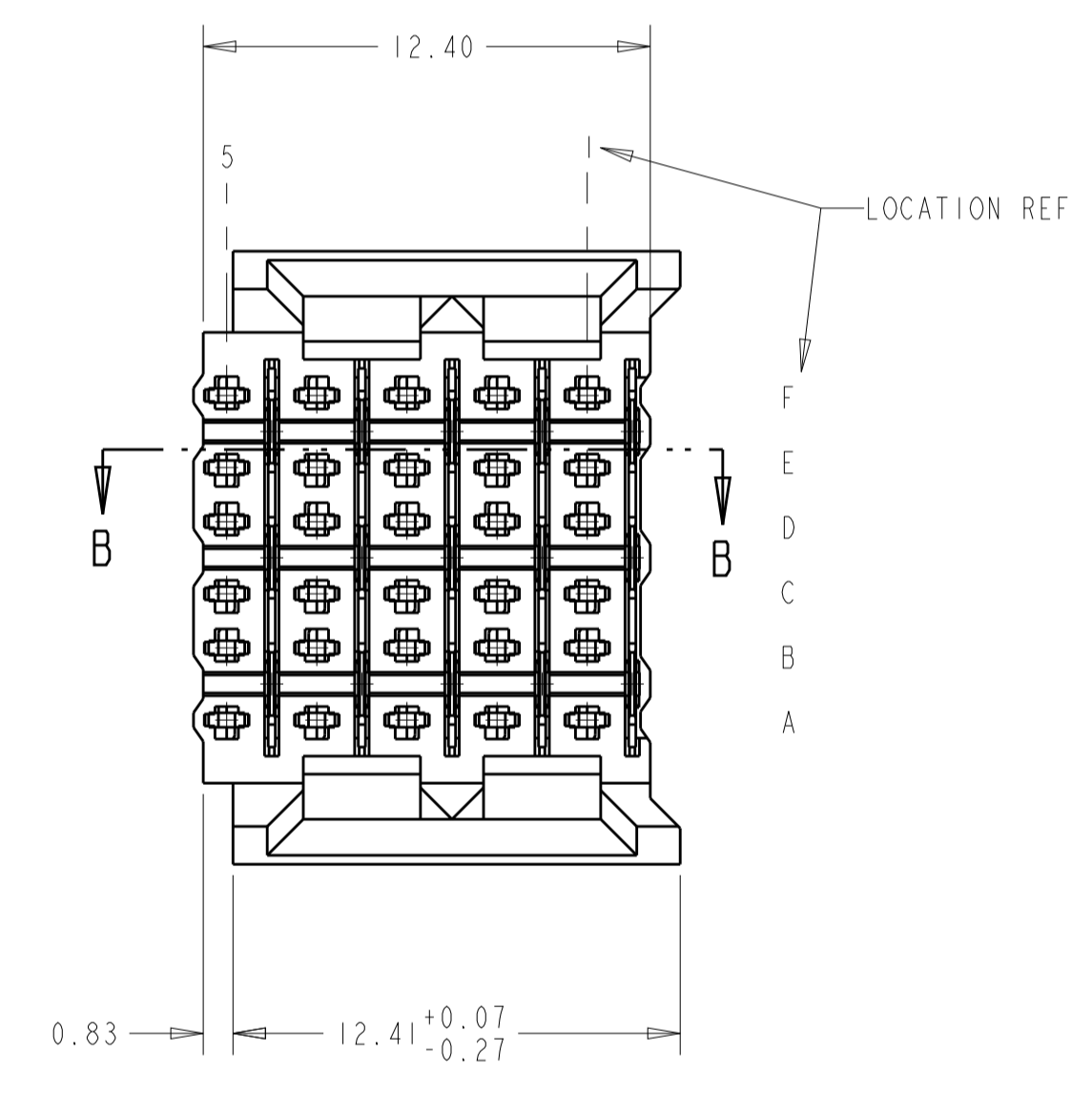
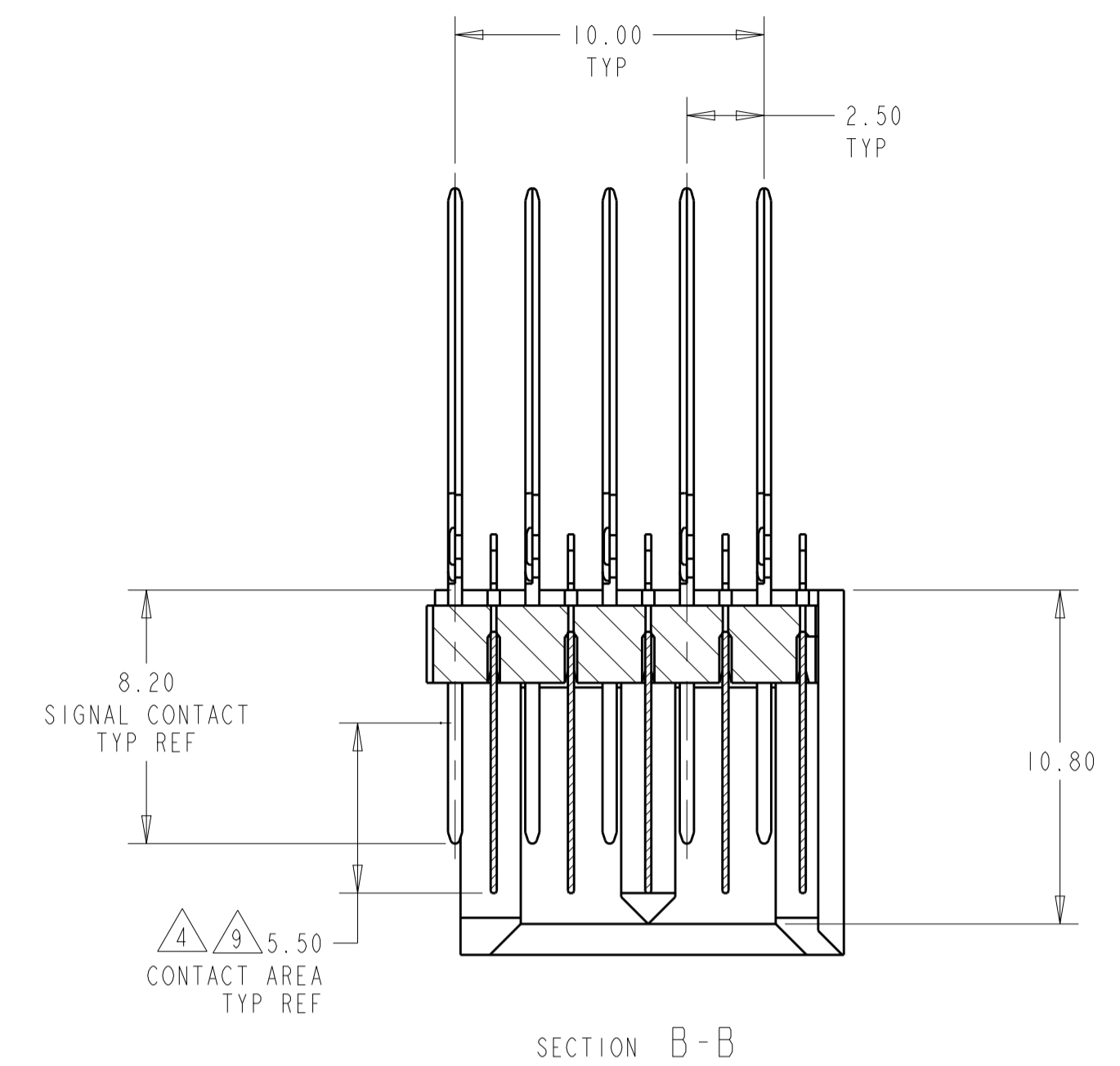
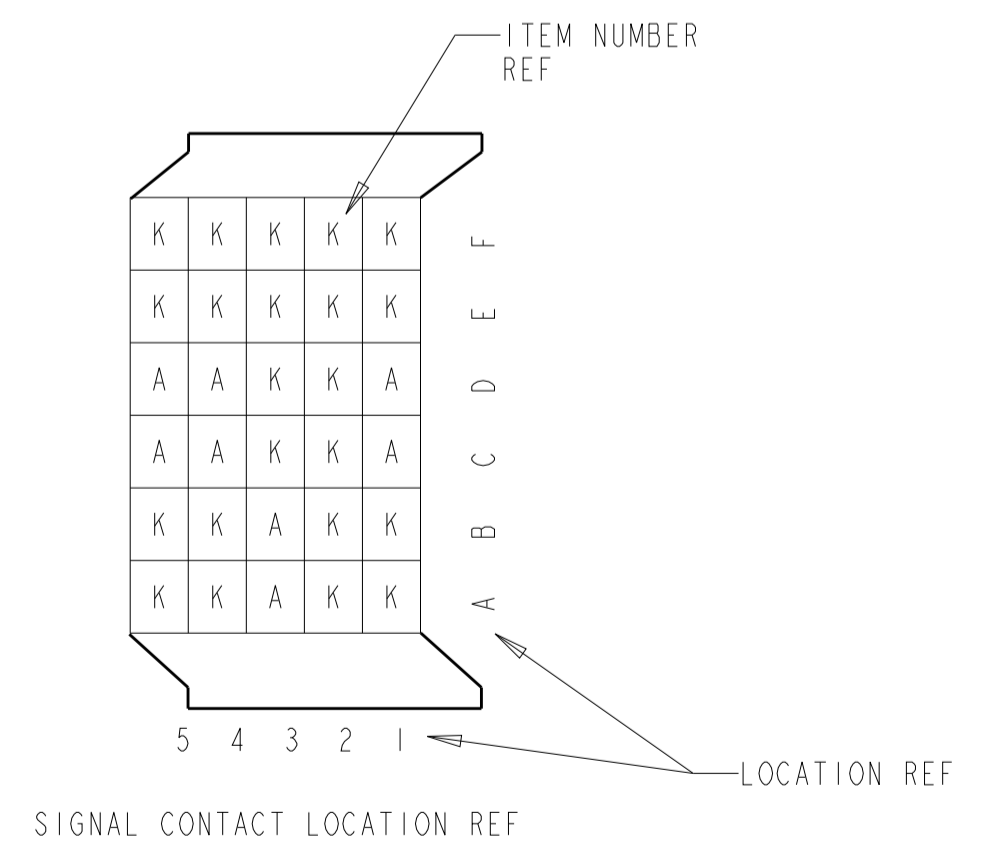


| LOC | DIST | REV | DATE      | BY  | APPV |
|-----|------|-----|-----------|-----|------|
| AD  | 00   | A   | 25SEP2012 | JJE |      |

- 2 PHOSPHOR BRONZE
- 3 LCP, UL94V-0
- 4 FINISH:  
CONTACT MATING AREA MEETS THE PERFORMANCE REQUIREMENTS OF  
TE CONNECTIVITY PRODUCT SPECIFICATION 108-1957; BASED ON  
TELCORDIA GR-1217-CORE; APPLICATIONS IN UNCONTROLLED ENVIRONMENTS.  
COMPLIANT PIN AREA: 0.5µm MIN MATTE TIN OVER BASE PLATING.
- 5 CONNECTOR MARKED WITH PART NUMBER AND DATE CODE
- 6 REFERENCE APPLICATION SPEC 114-13020 FOR RECOMMENDED  
PLATED THRU HOLE DIAMETER AND PLATING THICKNESS.
- 7 APPLICATION SEATING HEIGHT TO PRINTED CIRCUIT BOARD
- 8 DATUMS AND BASIC DIMENSIONS ESTABLISHED BY CUSTOMER
- 9 CONTACT AREA LUBRICATED WITH BELLCORE APPROVED LUBRICANT  
TECHNICAL REFERENCE: GR-1217-CORE, ISSUE 1, NOVEMBER 1995



RECOMMENDED  
PRINTED CIRCUIT BOARD  
LAYOUT  
COMPONENT SIDE OF PRINTED CIRCUIT BOARD



5120999-1  
AMP  
PART NUMBER

|  |                   |                             |  |
|--|-------------------|-----------------------------|--|
| THIS DRAWING IS A CONTROLLED DOCUMENT. |                   | OWN: R. TREA 20FEB2007      | TE Connectivity  |
| DIMENSIONS: mm                         |                   | CHK: R. PATTERSON 20FEB2007 |  |
| TOLERANCES UNLESS OTHERWISE SPECIFIED: |                   | APV: R. PATTERSON 20FEB2007 | NAME: HEADER ASSEMBLY, 30 POSITION, FEED THROUGH, 6 ROW, BACKPLANE CONNECTOR, Z-PACK HS3 |
| 0 PLC ±                                | 1 PLC ±           | PRODUCT SPEC                | SIZE: A1   |
| 2 PLC ±0.13                            | 3 PLC ±0.05       | APPLICATION SPEC            | CAGE CODE: 00779   |
| 4 PLC ±                                | ANGLES ±          | 114-13020                   | DRAWING NO: 5120999  |
| MATERIAL: HOUSING: 3                   | FINISH: 4         | WEIGHT: -                   | RESTRICTED TO: -   |
| CONTACTS: 2                            | SIGNAL CONTACT: 4 | CUSTOMER DRAWING            | SCALE: 5:1 SHEET 1 OF 1 REV A  |