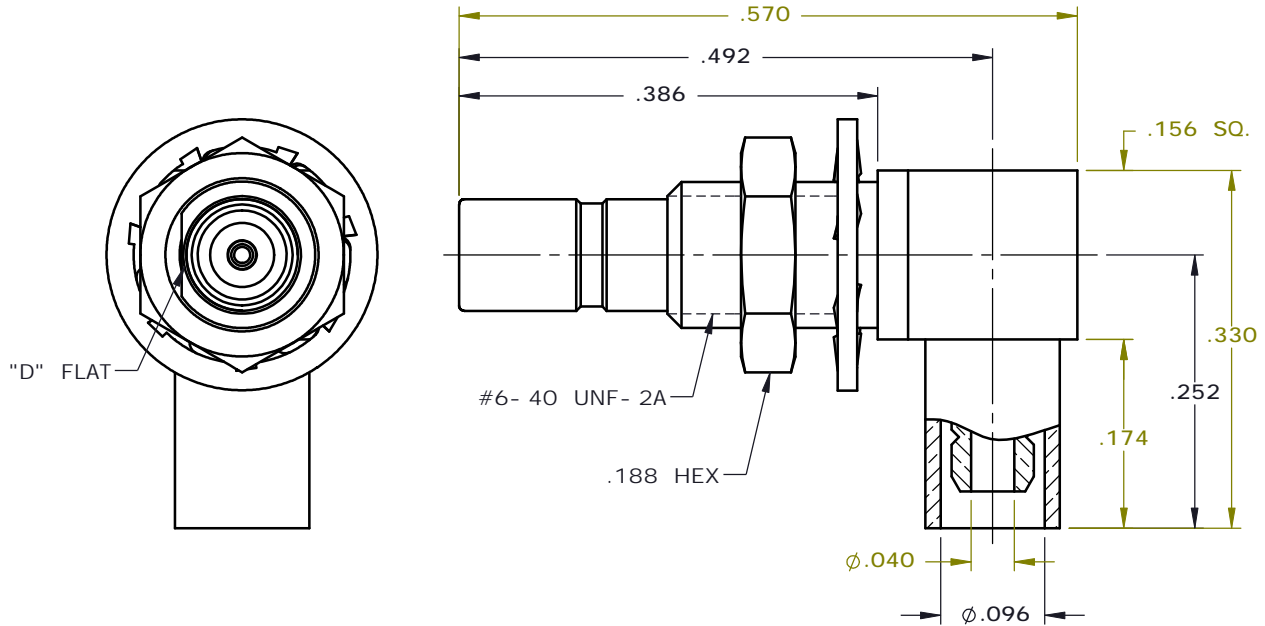


REVISIONS			
REV.	DESCRIPTION	DATE	APPROVED
A	INITIAL RELEASE	01/18/08	A.D.M.
B	ECN #7967	07/22/10	D.N.




NOTES:

MATERIALS:

- CONTACT = BERYLLIUM COPPER PER ASTM B196, ALLOY C17300, TEMPER TD04.
- INSULATORS = VIRGIN WHITE TEFLON PER ASTM D1710, GRADE 1, TYPE I, CLASS "B".
- CRIMP SLEEVE = SEAMLESS LOWLEAD BRASS TUBE, ALLOY 330, SOFT ANNEAL TEMPER, .025/.060 GRAIN SIZE OR SEAMLESS COPPER TUBE PER ASTM B75, TYPE C12000, TEMPER: LIGHT ANNEAL O50 EXCEPT YIELD STRENGTH.
- LOCKWASHER = PHOSPHOR BRONZE PER ASTM B139, COPPER ALLOY C53400, TEMPER H04.
- SHRINK SLEEVE RNF 100, YELLOW (NOT SHOWN).
- ALL OTHER METAL PARTS = BRASS PER ASTM B16, ALLOY C36000, TEMPER H02.

FINISHES:

- CONTACT = GOLD PLATE PER MIL- G- 45204, TYPE II, CLASS 1, GRADE C, OVER .00010 TO .00020 STRESS FREE SULFAMATE NICKEL PER QQ- N- 290.
- ALL OTHER METAL PARTS = GOLD PLATE PER MIL- G- 45204, TYPE II, CLASS 0, GRADE C, OVER .00010 TO .00020 COPPER STRIKE PER MIL- C- 14550.

UNLESS OTHERWISE SPECIFIED DIMENSIONS ARE IN INCHES TOLERANCES ON	DWN:	DATE	 Property of Radiall This document cannot be reproduced or communicated to a third party without prior written permission of RADIALL.			
	A.D.M.	01/18/08				
DECIMAL	ANGLE	CHKD:	DATE			
		D.N.	01/18/08			
		APVD:	DATE			
		J.M.	01/18/08			
REFERENCE:	MATERIALS & FINISHES:		SIZE <b>A</b>	FSCM NO. 19505	DWG NO. 7406- 1521- 005	REV <b>B</b>
ORIGINATED: A.D.M. DATE: 01/18/08	SEE NOTES		SCALE 6:1	THIRD ANGLE PROJECTION	SHEET 1 OF 1	

7406- 1521- 005