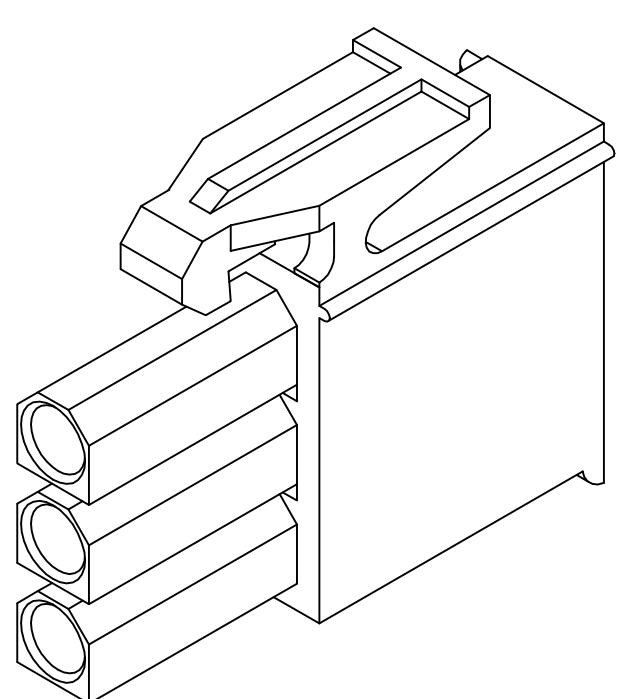
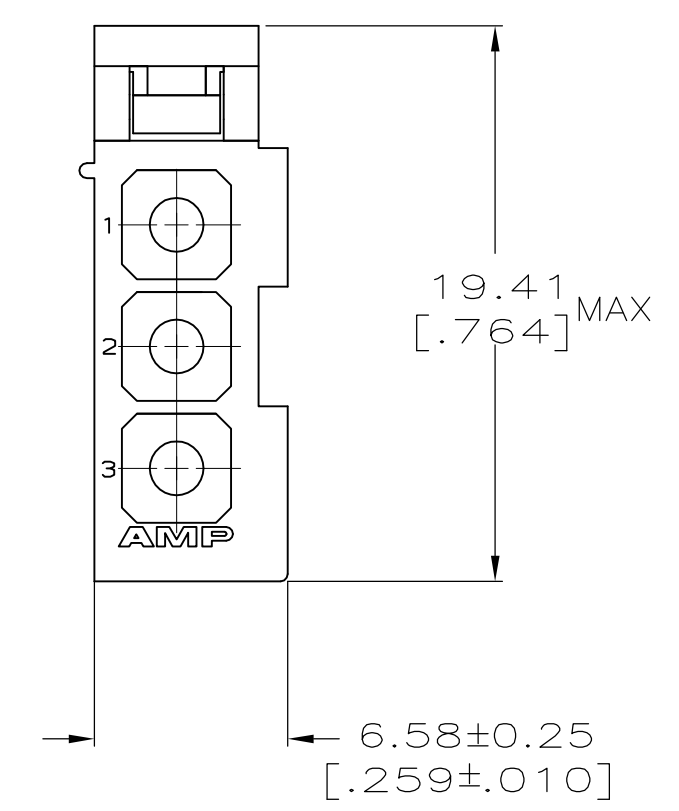
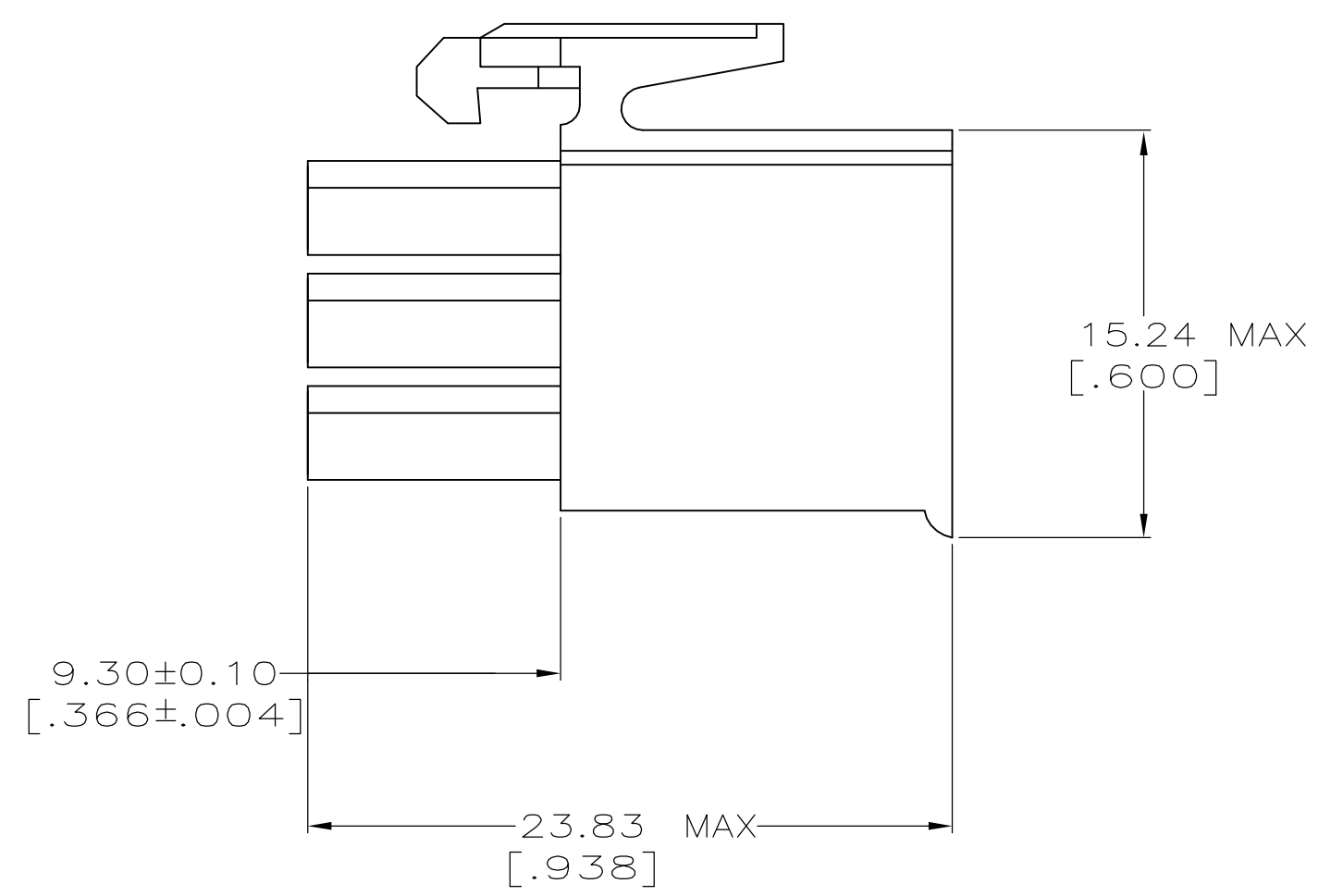
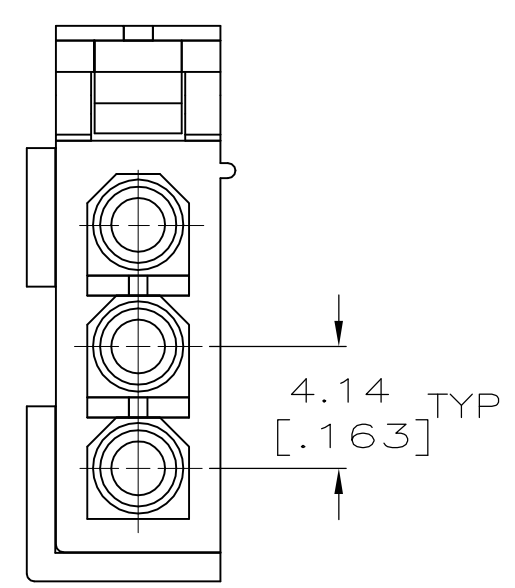


LOC	DIST	P	F	ZONE	LTR	REVISIONS		
DESCRIPTION						DATE	APPD	
CM	53				C	REVISED PER ECR-15-001266	02MAR15	SC KD

1. DIMENSIONS IN BRACKETS ARE IN INCHES.



3-DIMENSIONAL MODEL  
NTS

**METRIC**

DO NOT SCALE PRINT. UNLESS SPECIFIED DIMENSIONS IN mm [INCHES] TOLERANCES ON :		DR 5-29-91 T. BECK		770847-1	
2 PLC DEC ± -		CHK 5-29-91 R. SWING		PART NO	
3 PLC DEC ± 0.13 [.005]		APPD 5-29-91 L. PURSER		AMP AMP INCORPORATED Harrisburg, Pa. 17105	
ANGLES ± -		APPD 5-29-91 L. PURSER		NAME	
MATERIAL		PRODUCT SPEC		PLUG, 3 CIRCUIT, MINI UNIVERSAL MATE-N-LOK™	
NYLON, UL 94V-0 WHITE		APPLICATION SPEC		SIZE C	
FINISH -		WEIGHT -		CAGE CODE 00779	
				DRAWING NO 770847	
				SCALE 4:1	
				SHEET 10F 1	