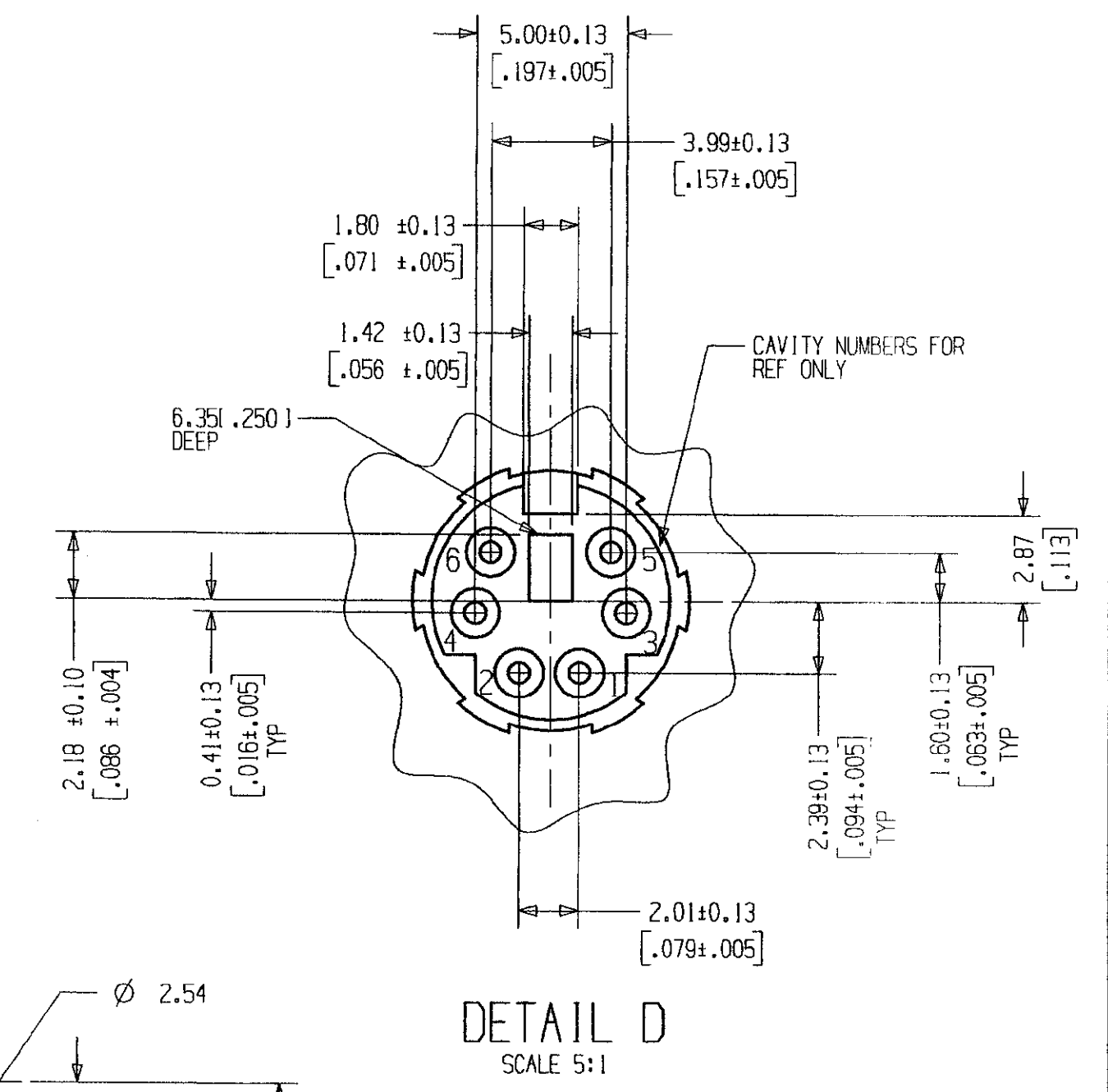
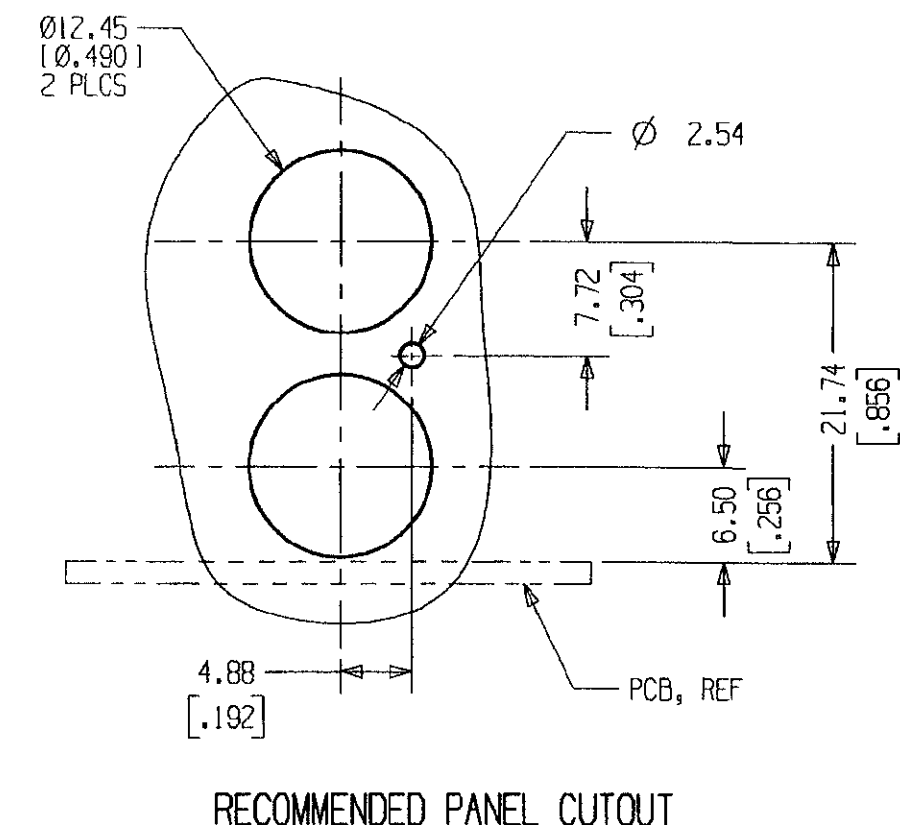
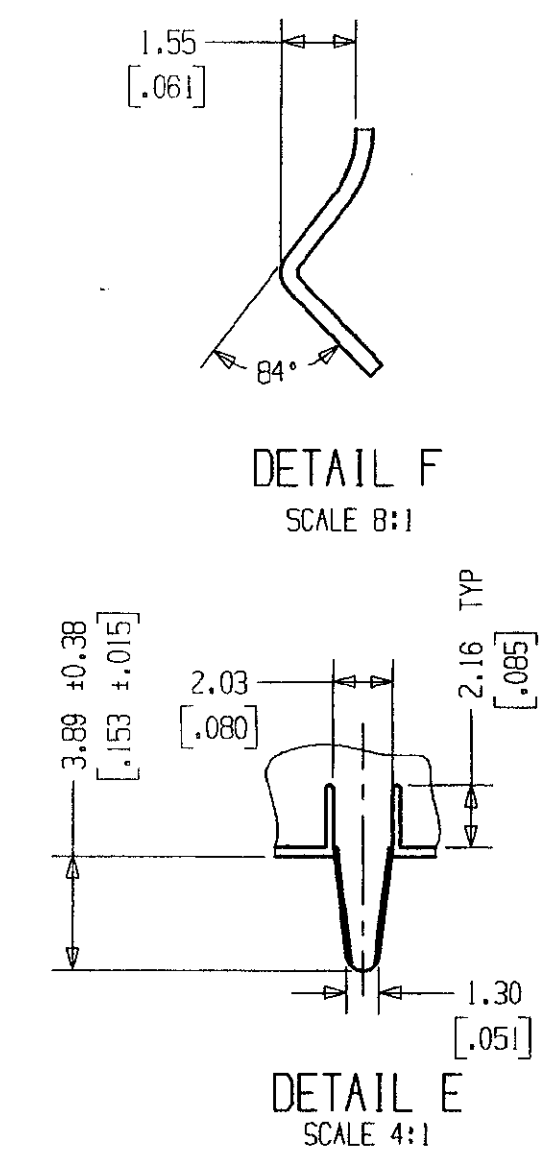
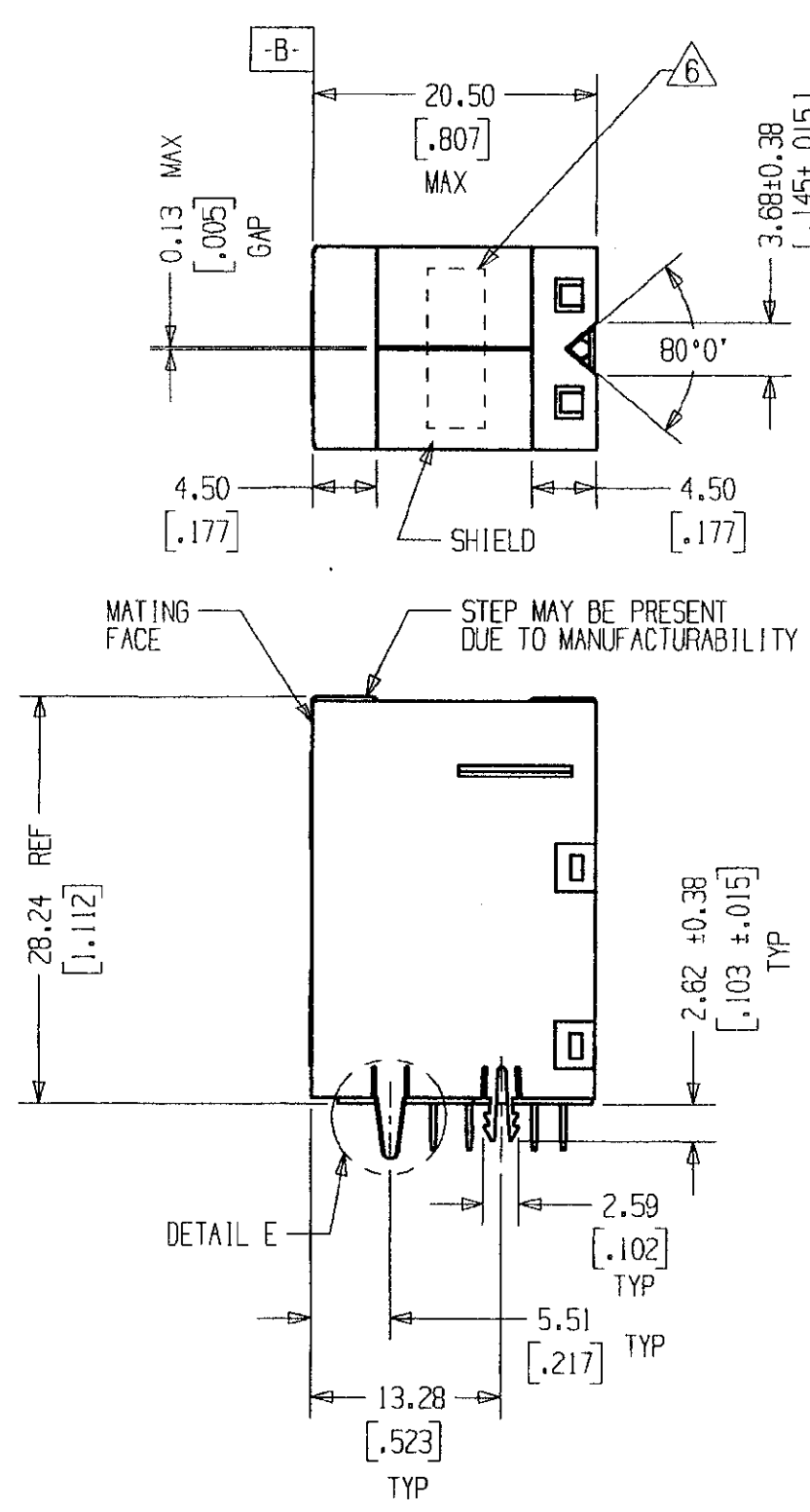
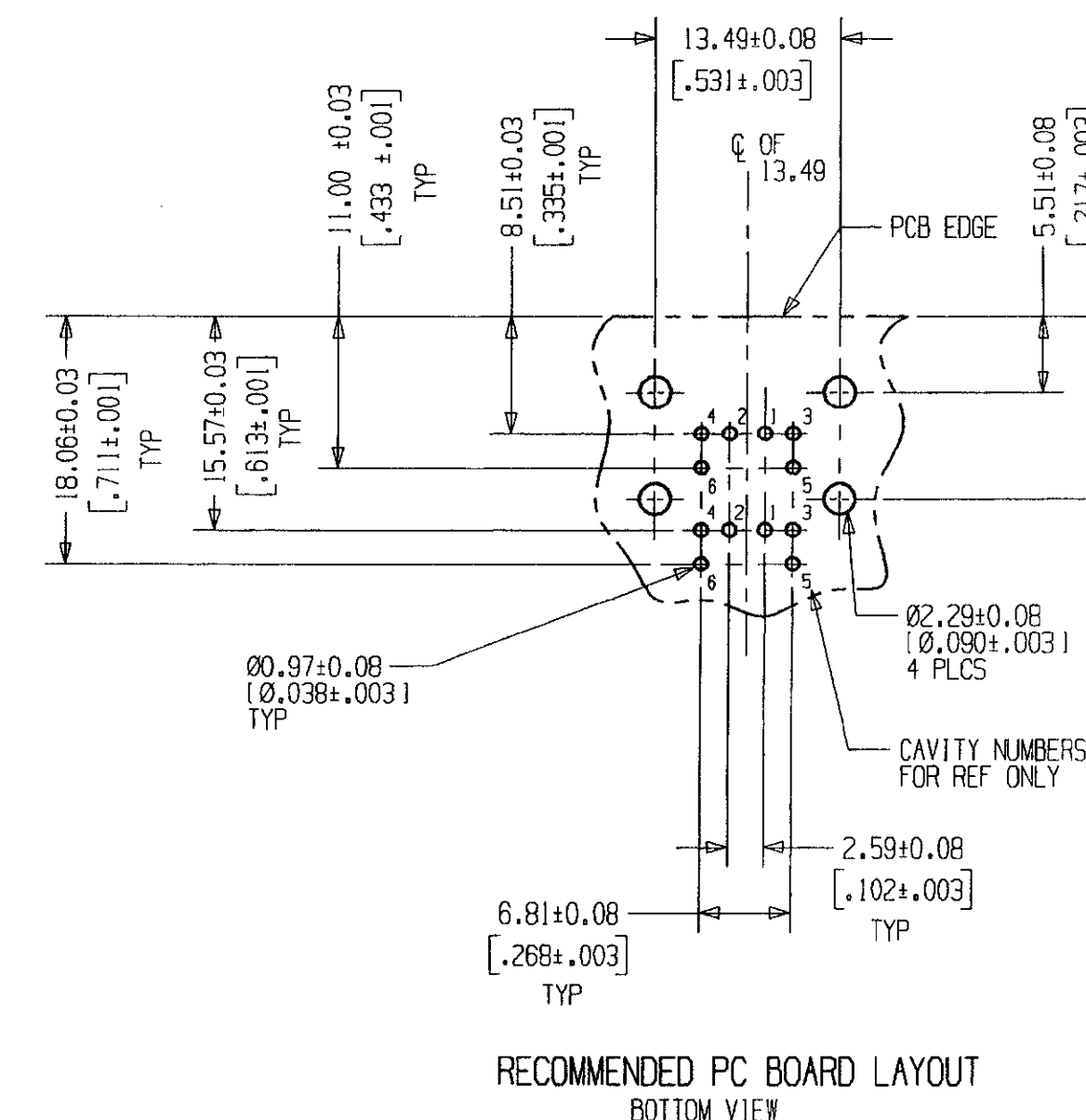
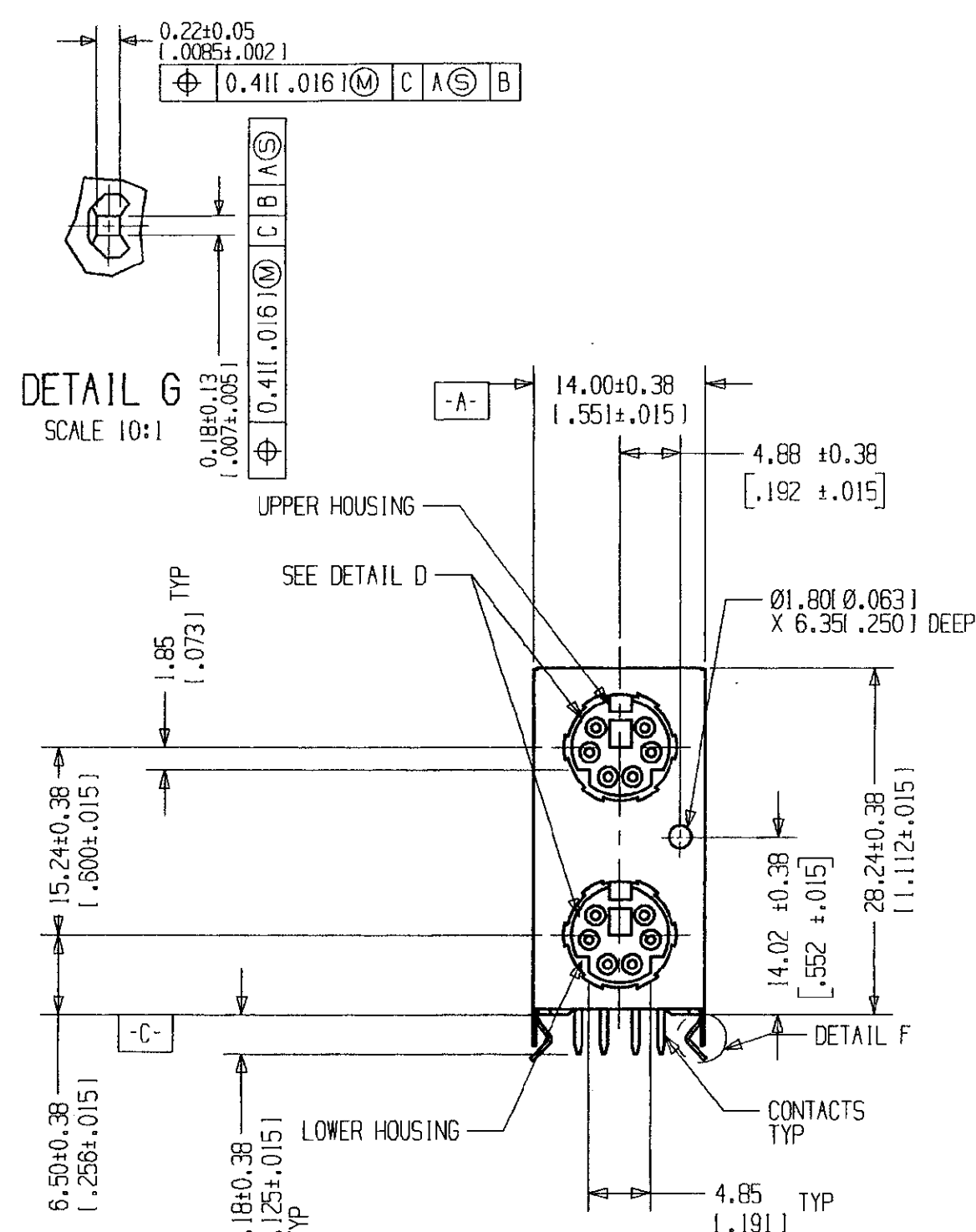


NUMBER 84401  
 METRIC  
 CONFIDENTIAL INFORMATION  
 DIMENSIONS IN MM, DO NOT SCALE PRINT  
 PRINT DIST



- NOTES:
- 1 RECEPTACLE CONTACT - COPPER ALLOY
  - 2 HOUSING: POLYMER, UL 94V-0 RATED, BLACK
  - 3 CONTACT PLATING: 0.75µm [1.000030] MIN GOLD FOR A LENGTH OF 1.52 [1.060] ON INSIDE FROM MATING END, 3.05 µm [1.000120] MIN TIN-LEAD FOR A LENGTH OF 3.56 [1.140] FROM OPPOSITE END, BOTH OVER 1.27µm [1.000050] MIN NICKEL
  - 4 SHIELD PLATING: 2.54µm [1.000100] MIN TIN
  - 5 PRODUCT SPEC: 108-51010  
APPLICATION SPEC: 114-51004
  - 6 DATECODE PRINTING TO BE AT APPROX. THIS LOCATION

E REVISED FPOO-03B3-98 LWY TKN 300708		Copyright © 1996		Copyright © 1996		AMP MANUFACTURING SINGAPORE PTE. LTD. ALL RIGHTS RESERVED.		<b>AMP</b>		AMP MANUFACTURING SINGAPORE PTE. LTD.	
D REVISED FPOO-0013-98 LWY TKN 4E888		(WIRE RANGE)		(INSULATION DIA.)		(NAME)		RECEPTACLE ASSEMBLY, 6 POSN OVER 6 POSN, RIGHT ANGLE, STACKABLE, MINIATURE CIRCULAR DIN			
C REVISED FPOO-0115-97 NWL CKT 15M197		mm² (AWG)		mm							
B REVISED FPOO-0277-96 LWY CKT 110E038		(MATERIAL)		(FINISH)							
A REVISED FPOO-0208-96 NWL CKT 115E98		△ △		△ △							
O NPR DY/NP/0219 LWY CKT 28E836		DR WYLEE		APP. SF LEONG		DE. A.SOH		(GENERAL TOLERANCE)		SIZE LOC (NO.)	
LTR (REVISION RECORD) DR CHX DATE		CHK KT CHAN		DATE		14/12/98		0 < ≤ 10 : +0.2 10 < ≤ 30 : +0.25 30 < ≤ 100 : +0.3 ANGLES : ±.3°		AZ DY 84401	
								SCALE: 2:1		REV. E SHEET 1 OF 1	

CUSTOMER DRAWING