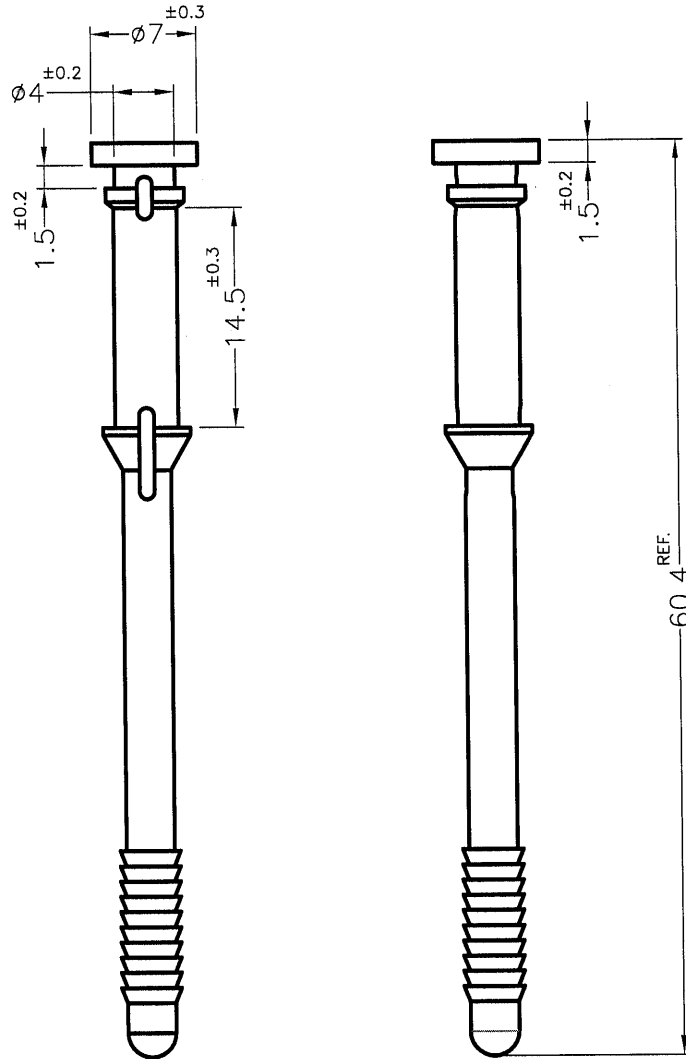





REVISIONS			
REV	DESCRIPTION	DATE	BY



HOLE IN FAN: $\phi 4.3$ mm
 FAN THICKNESS: 15mm

NOTE: MADE OF EQUIVALENT MATERIAL.
 均可使用同等材質.

 康揚企業股份有限公司 KANG YANG HARDWARE ENTERPRISE CO., LTD. 康揚塑膠(東莞)有限公司 KANG YANG PLASTIC(DONG GUAN) CO., LTD. 康哲電腦配件(吳江)有限公司 KANG CHE COMPUTER COMPONENTS(WUJIANG) CO., LTD.				TITLE	FAN SNAP RIVET	SPEC. DWG.	
				MATERIAL	TPE	DATE	2017.06.27
				HARDNESS		DRAWN	T.C
				COLOR	BLACK	CHECK	
PART NUMBER	DRAWING NUMBER		UNLESS OTHERWISE SPECIFIED TOLERANCE	APPROVED			
SIZE	SCALE	UNIT	REV				
A4	2:1	mm	A	SEE ABOVE			