

ECN/PCN No.: 3857

For Manufacturer			
Product Description: Clock Oscillator	Abracon Part Number / Part Series: O19M000000S001	<input type="checkbox"/> Documentation only <input type="checkbox"/> ECN <input checked="" type="checkbox"/> EOL	<input type="checkbox"/> Series <input checked="" type="checkbox"/> Part Number
Affected Revision: A	New Revision: EOL	Application:	<input type="checkbox"/> Safety <input checked="" type="checkbox"/> Non-Safety
Prior to Change: O19M000000S001 Rev. A (page 2)			
After Change: EOL			
Cause/Reason for Change: Discontinuation of this older product package type and associated manufacturing capability.			
Change Plan			
Effective Date: 06/24/2021	Additional Remarks:		
Change Declaration:			
Issued Date: 06/24/2021	Issued By: <i>Stephanie Lopez</i>	Issued Department: Engineering	
Approval: <i>Thomas Culhane</i> Engineering Director	Approval: <i>Reuben Quintanilla</i> Quality Director	Approval: <i>Ying Huang</i> Purchasing Director	
For Abracon EOL only			
Last Time Buy (if applicable): None	Alternate Part Number / Part Series: None		
Additional Approval:	Additional Approval:	Additional Approval:	
Customer Approval (If Applicable)			
Qualification Status: <input type="checkbox"/> Approved <input type="checkbox"/> Not accepted <i>Note: It is considered approved if there is no feedback from the customer 1 month after ECN/PCN is released.</i>			
Customer Part Number:		Customer Project:	
Company Name:	Company Representative:	Representative Signature:	
Customer Remarks:			

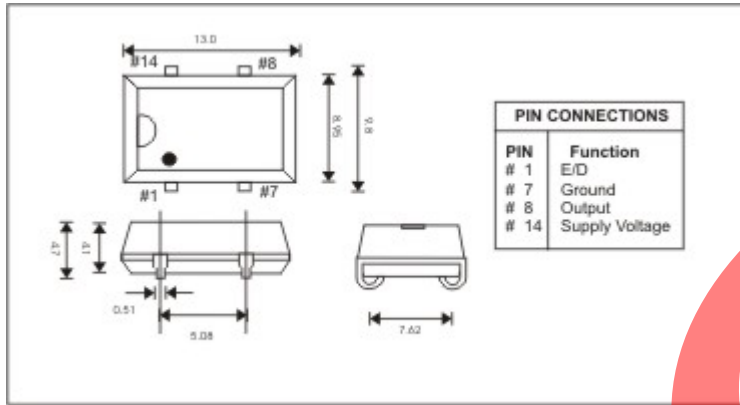


Specification Control Drawing

Clock Oscillator

Frequency

19MHz



Package Type	14x9 SMD 4 Pad
Overall Stability (ppm)	±100 PPM
Operating Temp. Range	-10°C to +70°C
Storage Temperature Range	-55C + 125C
Input Voltage (V DD)	5V DC
Max Input Current (mA)	23.00mA
Output Waverform	TTL/CMOS
0 Level	0.5V / 10% Vdd
1 Level	2.4V / 90% Vdd
Symmetry	45/55
Output Load	1-10 LSTTL/50pF
Rise Fall Time (ns)	10.00ns
Startup Time (ms)	10.00ms
Enable Disable Function	Tri-State

Marking Instruction

AEL4510CSH/Freq/WWYY

Frequency

19.000000

Amdt. Date	Change Note	AEL Code
		O19M000000S001
		Issue Ref A

REVISED