

PI3USB3000

High Speed USB 2.0 1:2 Mux/DeMux

Features

- Differential Bidirectional 2:1 Mux/DeMux
- Wide Input Voltage Range: 0 to 3.6V
- Mobile Hi-Definition Link (MHL) Switch:
 - Bandwidth (-3dB): 5.3GHz
 - R_{ON} (Typical): 5.7Ω
 - C_{ON} (Typical): 1.5pF @ 240MHz
- USB Switch:
 - Bandwidth (-3dB): 5.5GHz
 - R_{ON} (Typical): 4.6Ω
 - C_{ON} (Typical): 1.5pF @ 240MHz
- Low Propagation Delay, 0.1ns typ
- Low Off-Isolation: -34dB @ 240MHz
- Low Crosstalk: -37dB @ 240MHz
- Low Power Consumption: 35µA typical
- Wide Supply Voltage: 1.8V to 5.5V
- Supports 1.8V Logic on Control Pins
- Protection Feature
 - Power-off protection for minimizing current leakage in power-down mode
 - Connector pins are high voltage tolerated
 - D± tolerance to 9V
 - Overvoltage protection at D±
- Wide Temperature Range: -40°C to 85°C
- Totally Lead-Free & Fully RoHS Compliant (Notes 1 & 2)
- Halogen and Antimony Free. “Green” Device (Note 3)
- For automotive applications requiring specific change control (i.e. parts qualified to AEC-Q100/101/200, PPAP capable, and manufactured in IATF 16949 certified facilities), please [contact us](#) or your local Diodes representative.
<https://www.diodes.com/quality/product-definitions/>
- Packaging (Pb-free & Green):
 - 10-contact, UQFN (ZUA), 1.5x2mm, 0.5mm(H), 0.6mm pitch

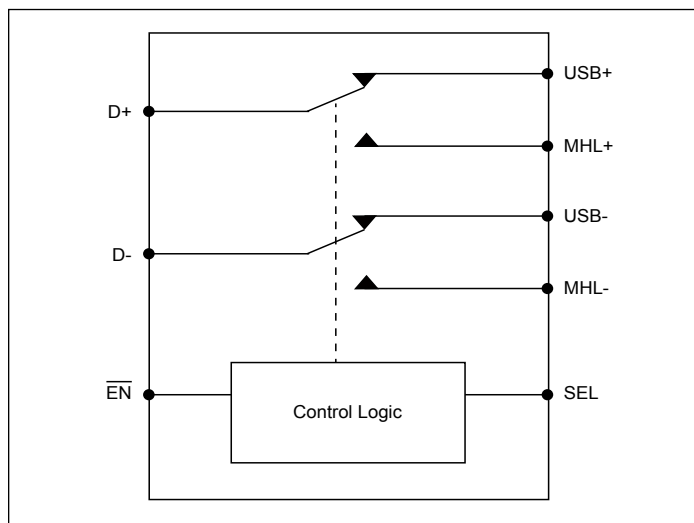
Description

The PI3USB3000 is a 2-to-1 differential channel multiplexer/demultiplexer switch. The D± pins can tolerate voltages up to 9V. Overvoltage protection (OVP) is implemented at 4.75V to immediately switch off the channels when an overvoltage condition is detected. The PI3USB3000 can pass USB 2.0 and MHL signals with a bandwidth of 5.5GHz to provide excellent signal integrity and eye diagram opening.

Applications

- Smart Phones
- USB-C® Applications
- Tablets
- NBs
- PCs

Block Diagram



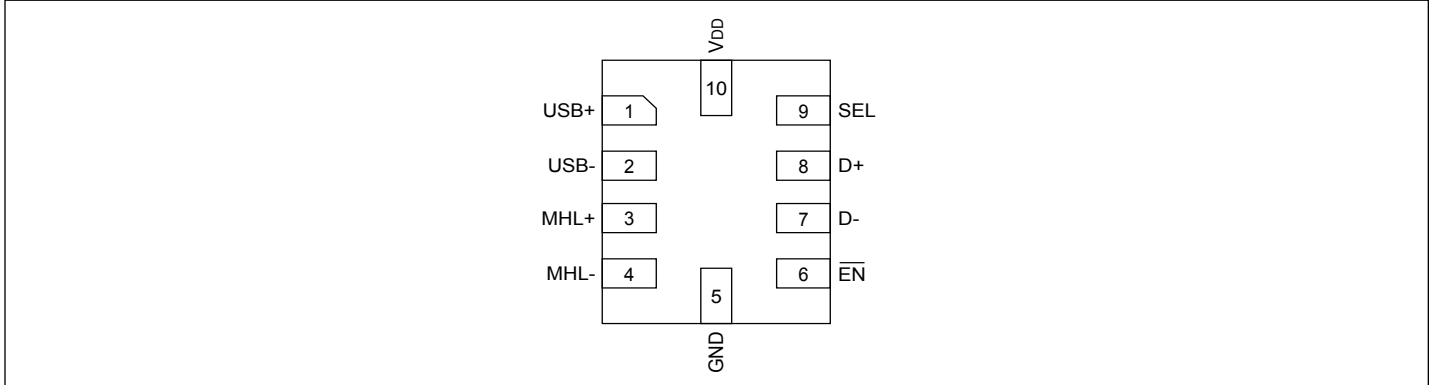
USB Type-C is a registered trademark of USB Implementers Forum.

Notes:

1. No purposely added lead. Fully EU Directive 2002/95/EC (RoHS), 2011/65/EU (RoHS 2) & 2015/863/EU (RoHS 3) compliant.
2. See <https://www.diodes.com/quality/lead-free/> for more information about Diodes Incorporated’s definitions of Halogen- and Antimony-free, “Green” and Lead-free.
3. Halogen- and Antimony-free “Green” products are defined as those which contain <900ppm bromine, <900ppm chlorine (<1500ppm total Br + Cl) and <1000ppm antimony compounds.

Pin Configuration

Top View



Pin Description

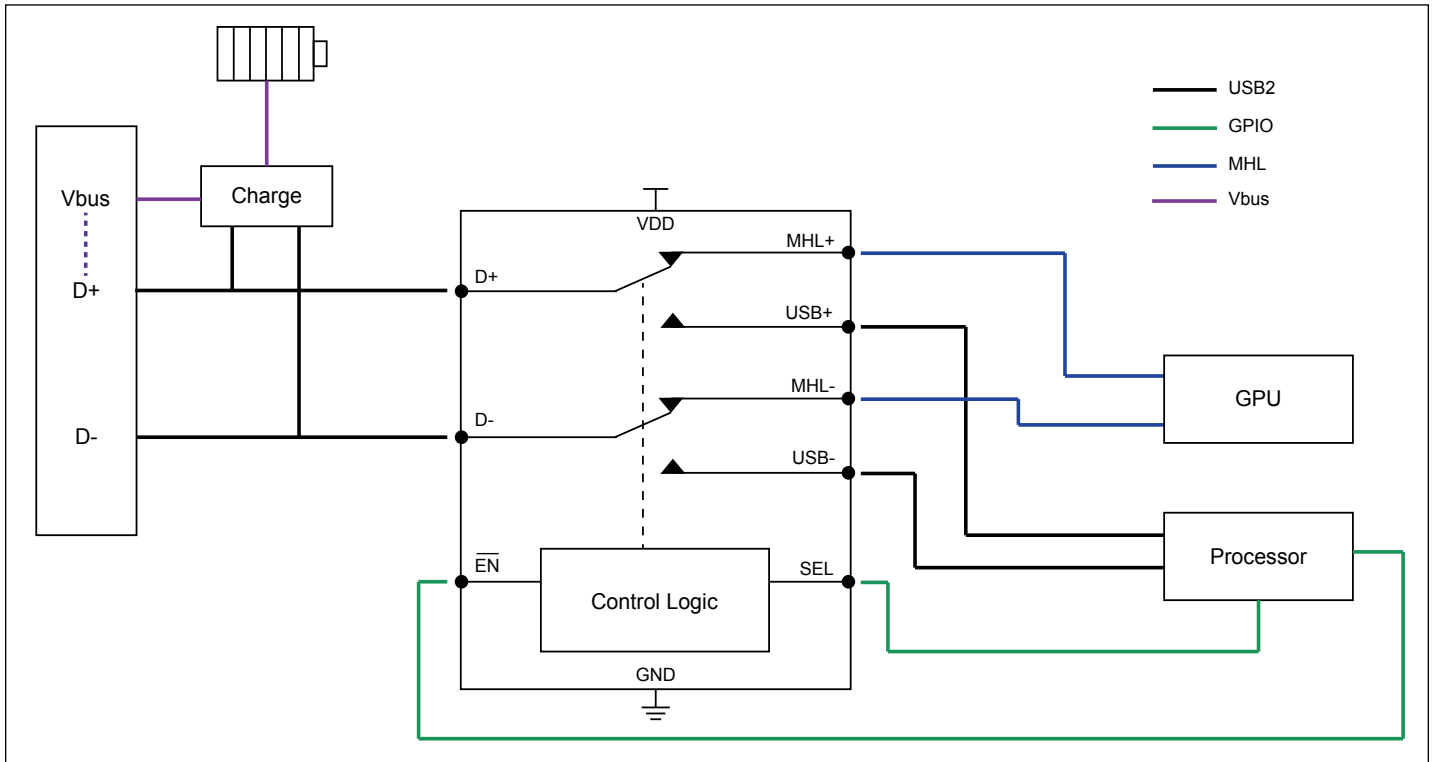
Pin#	Pin Name	Signal Type	Description
8, 7	D+, D-	I/O	Signal I/O, Common Port
3, 4	MHL+, MHL-	I/O	Signal I/O, MHL Channel
1, 2	USB+, USB-	I/O	Signal I/O, USB Channel
9	SEL	I	Operation Mode Select (when SEL = L: D± → USB±, when SEL = H: D± → MHL±)
10	V _{DD}	PWR	Positive Supply Voltage
5	GND	PWR	Power Ground
6	$\overline{\text{EN}}$	I	$\overline{\text{EN}} = 1$, Chip is Power Down. $\overline{\text{EN}} = 0$, Chip is Enabled, Please refer to Truth Table.

Truth Table

Function	SEL
D+/- to USB+/-	L
D+/- to MHL+/-	H

PI3USB3000

PI3USB3000 Application in MHL Switching and provide overvoltage protection for D+/- when high voltage charging



Maximum Ratings

(Above which useful life may be impaired. For user guidelines, not tested.)

Storage Temperature	-65°C to +150°C
Supply Voltage (VDD) to Ground Potential	-0.3V to +6V
Channel Input/Output Voltage (USB±/MHL±)	-0.3V to +5V
Channel Input/Output Voltage (D±)	-0.3V to +9V
Control Pins Input Voltage (EN/SEL)	-0.3V to +6V
ESD (All Pins).....	2KV (HBM) and 1KV (CDM)
Channel Input/Output Current (D±→USB±, D±→MHL±).....	±20mA
Junction Temperature	125°C

Note:

Stresses greater than those listed under MAXIMUM RATINGS may cause permanent damage to the device. This is a stress rating only and functional operation of the device at these or any other conditions above those indicated in the operational sections of this specification is not implied. Exposure to absolute maximum rating conditions for extended periods may affect reliability.

Recommended Operating Conditions

Symbol	Description	Test Conditions	Min.	Typ.	Max.	Units
V _{DD}	Power Supply		1.8	3.3	5.5	V
V _{I/O}	Analog Voltage Range		0		3.6	V
V _I	Voltage Range for Control Pins		0		5.5	V
I _{DD}	Current Consumption in Normal Operation	V _{IO} = 0V, SEL = GND or V _{DD} , chip enabled		35	55	μA
I _{DD_OVP}	Current Consumption in OVP	V _{D±} = 5.5V, SEL = GND or V _{DD} , chip enabled		35		μA
I _{DDQ}	Chip Disabled Current Consumption	V _{IO} = 0V, SEL = GND or V _{DD} , EN = High		1	2	μA
T _A	Operating Temperature Range		-40		85	°C

DC Electrical Characteristics for Switching over Operating Range

(T_A = -40°C to 85°C, Typical values are at V_{DD} = 3.3V, T_A = 25°C, EN=0V (unless otherwise noted))

Parameter	Description	Test Conditions	Min.	Typ.	Max.	Units	
Control Pins – EN/SEL							
V _{IH} - cntrl signals	Input HIGH Voltage for SEL and EN	V _{DD} = 1.8 - 5.5V	1.3			V	
V _{IL} - cntrl signals	Input LOW Voltage for SEL and EN	V _{DD} = 1.8 - 5.5V			0.6	V	
I _{IH}	Input HIGH Current for SEL and EN	V _I = 5.5V	-1		1	μA	
I _{IL}	Input LOW Current for SEL and EN	V _I = 0V	-1		1	μA	
Over Voltage Protection							
V _{OVP_D±}	D± OVP Trigger Voltage		4.6	4.75	5.0	V	
MHL Switch							
R _{ON}	ON-state Resistance	V _{DD} = 2.7V	V _{I/O} = 1.65V, I _{ON} = -8mA		5.7	9	Ω
		V _{DD} = 1.8V	V _{I/O} = 1.65V, I _{ON} = -8mA		5.7	9.5	

DC Electrical Characteristics for Switching over Operating Range Cont.

Parameter	Description	Test Conditions		Min.	Typ.	Max.	Units
ΔR_{ON}	ON-state Resistance match between + and - paths	$V_{DD} = 1.8V$	$V_{I/O} = 1.65V, I_{ON} = -8mA$		0.1		Ω
$R_{ON(FLAT)}$	ON-state Resistance Flatness	$V_{DD} = 1.8V$	$V_{I/O} = 1.65V$ to 3.45V, $I_{ON} = -8mA$		1		Ω
I_{OZ}	OFF Leakage Current	$V_{DD} = 4.8V$	Switch OFF, $V_{MHL\pm} = 1.65V$ to 3.45V, $V_{D\pm} = 0V$	-2		2	μA
I_{OFF}	Power-off Leakage Current	$V_{DD} = 0V$	Switch ON or OFF, $V_{MHL\pm} = 1.65V$ to 3.45V, $V_{D\pm} = NC$	-10		10	μA
I_{ON}	ON Leakage Current	$V_{DD} = 4.8V$	Switch ON, $V_{MHL\pm} = 1.65V$ to 3.45V, $V_{D\pm} = NC$	-2		2	μA
		$V_{DD} = 1.8V$	Switch ON, $V_{MHL\pm} = 1.65V$ to 3.45V, $V_{D\pm} = NC$	-125		125	
USB Switch							
R_{ON}	ON-state Resistance	$V_{DD} = 1.8V$	$V_{I/O} = 0.4V, I_{ON} = -8mA$		4.6	7.5	Ω
ΔR_{ON}	ON-state Resistance match between + and - paths	$V_{DD} = 1.8V$	$V_{I/O} = 0.4V, I_{ON} = -8mA$		0.1		Ω
$R_{ON(FLAT)}$	ON-state Resistance Flatness	$V_{DD} = 1.8V$	$V_{I/O} = 0V$ or 0.4V, $I_{ON} = -8mA$		1		Ω
I_{OZ}	OFF Leakage Current	$V_{DD} = 4.8V$	Switch OFF, $V_{USB\pm} = 0V$ to 3.6V, $V_{D\pm} = 0V$	-2		2	μA
I_{OFF}	Power-off Leakage Current	$V_{DD} = 0V$	Switch ON or OFF, $V_{USB\pm} = 0V$ to 3.6V, $V_{D\pm} = NC$	-10		10	μA
I_{ON}	ON Leakage Current	$V_{DD} = 4.8V$	Switch ON, $V_{USB\pm} = 0V$ to 3.6V, $V_{D\pm} = NC$	-2		2	μA
		$V_{DD} = 1.8V$	Switch ON, $V_{USB\pm} = 0V$ to 3.6V, $V_{D\pm} = NC$	-125		125	

Dynamic Electrical Characteristics

 ($T_A = -40^\circ C$ to $85^\circ C$, Typical values are at $V_{DD} = 3.3V, T_A = 25^\circ C$, (unless otherwise noted))

Parameter	Description	Test Conditions		Min.	Typ.	Max.	Units
$C_{ON(MHL)}$	MHL path ON Capacitance	Switch ON	$V_{DD} = 3.3V, V_{I/O} = 0$ or 3.3V, $f = 240MHz$		1.5	2	pF
$C_{ON(USB)}$	USB path ON Capacitance	Switch ON	$V_{DD} = 3.3V, V_{I/O} = 0$ or 3.3V, $f = 240MHz$		1.5	2	pF
$C_{OFF(MHL)}$	MHL path OFF Capacitance	Switch OFF	$V_{DD} = 3.3V, V_{I/O} = 0$ or 3.3V, $f = 240MHz$		1.5	2	pF
$C_{OFF(USB)}$	USB path OFF Capacitance	Switch OFF	$V_{DD} = 3.3V, V_{I/O} = 0$ or 3.3V, $f = 240MHz$		1.5	2	pF
C_I	Digital Input Capacitance		$V_{DD} = 3.3V, V_I = 0$ or 2V		2.2		pF

Dynamic Electrical Characteristics Cont.

Parameter	Description	Test Conditions	Min.	Typ.	Max.	Units
O _{IOS}	OFF Isolation	Switch OFF R _L = 50Ω, f = 240MHz		-34		dB
X _{TALK}	Crosstalk	Switch ON R _L = 50Ω, f = 240MHz		-37		dB
B _{W(MHL)}	MHL path -3dB Bandwidth	Switch ON R _L = 50Ω		5.3		GHz
B _{W(USB)}	USB path -3dB Bandwidth	Switch ON R _L = 50Ω		5.5		GHz

Switching Characteristics⁽¹⁾

(T_A = -40°C to 85°C, Typical values are at V_{DD} = 3.3V, T_A = 25°C, (unless otherwise noted))

Parameter	Description	Test Conditions	Min.	Typ.	Max.	Units
t _{OVP}	OVP Response Time ⁽¹⁾	R _{USB/MHL} = 600Ω, time from the voltage on D± = 4~6V to the voltage on USB/MHL± = 4.75V		0.5	1	μs
t _{PZH} , t _{PZL}	Line Enable Time (SEL to Output)	See Test Circuit for Electrical Characteristics			600	ns
t _{PHZ} , t _{PLZ}	Line Disable Time			50		ns
t _{pD}	Propagation Delay			100		ps
t _{b-b}	Bit-to-bit Skew Within the Same Differential Pair ⁽¹⁾			8	20	ps
T _{on}	Device Enable Time			100		μs
T _{off}	Device Disable Time			50		ns

Note:

1. Guaranteed by design.

PI3USB3000

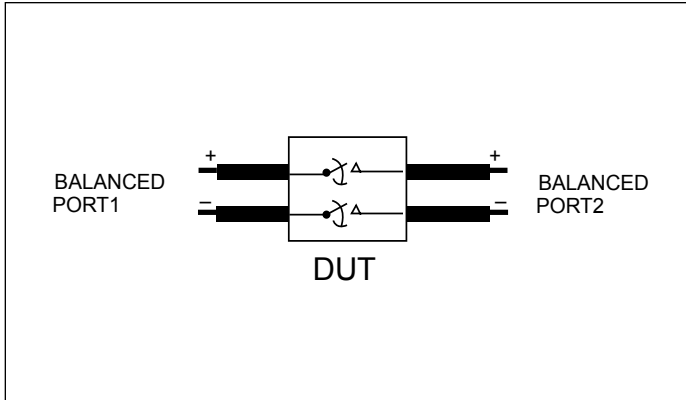


Figure 1. Differential Insertion Loss Setup

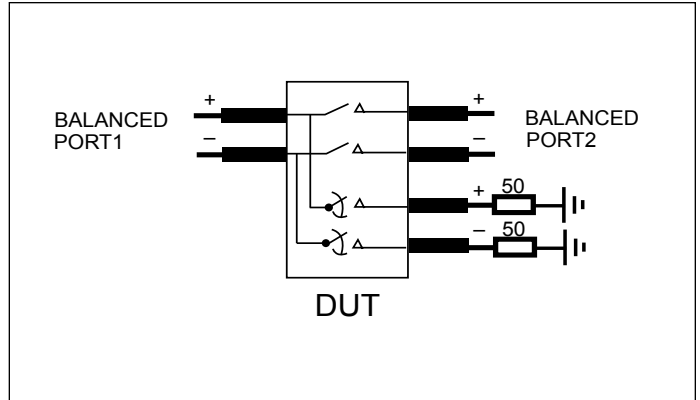


Figure 2. Off-isolation Setup

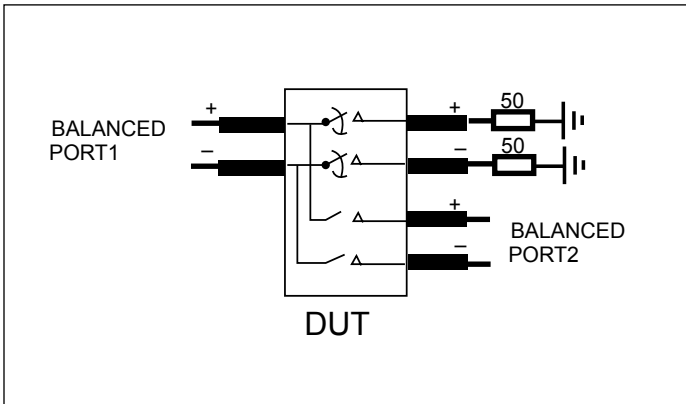


Figure 3. Crosstalk Setup

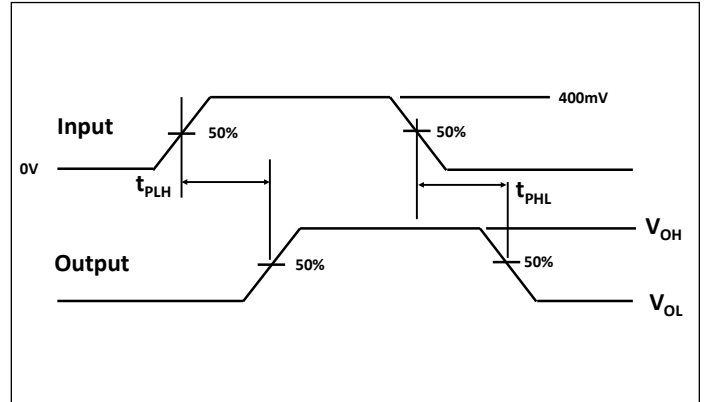


Figure 4. Propagation Delay

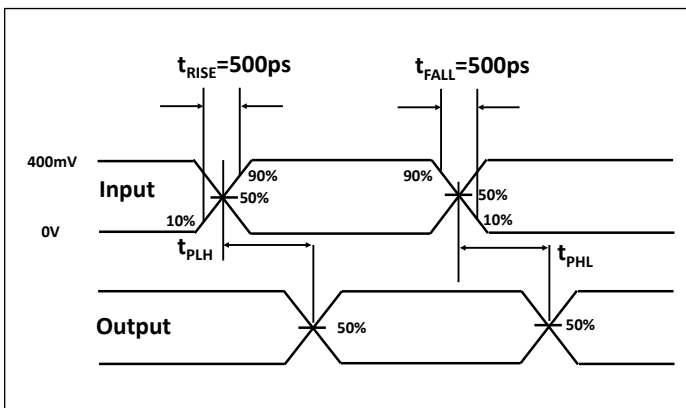
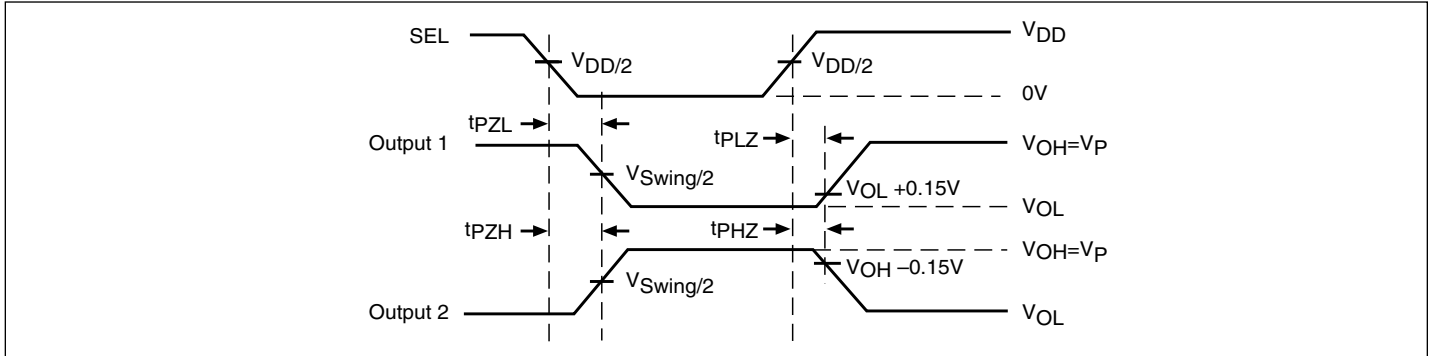


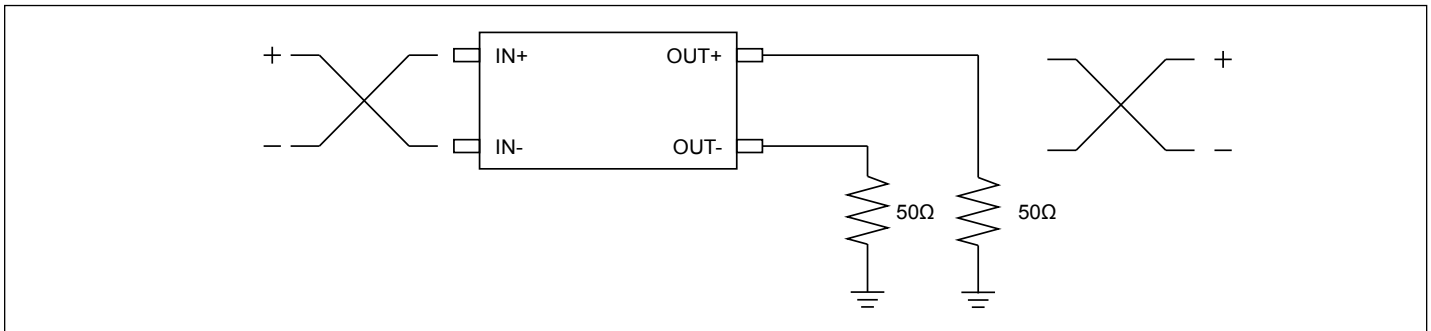
Figure 5. Skew Test

Switching Waveforms

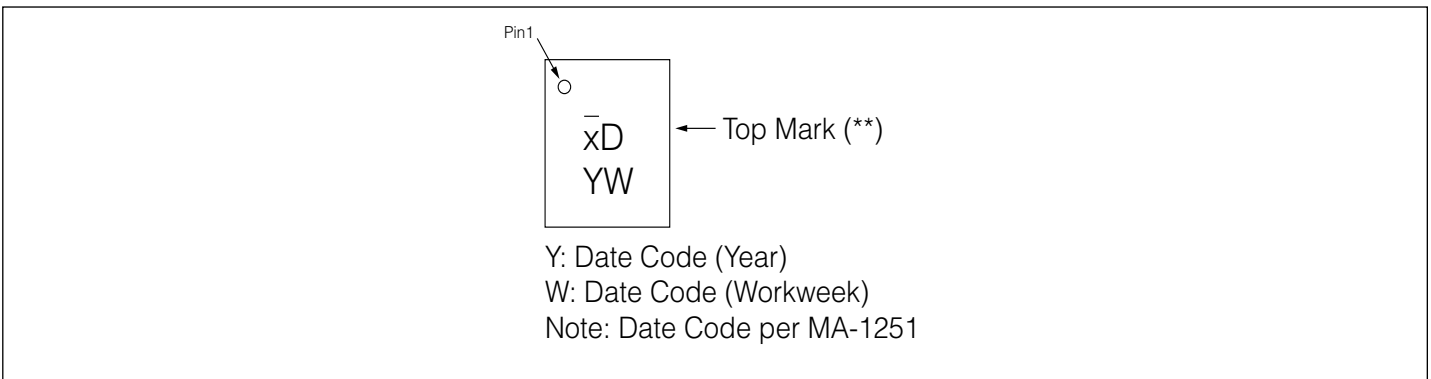


Voltage Waveforms Enable and Disable Times

Test Circuit for Propagation Delay



Part Marking



PI3USB3000

Packaging Mechanical

10-UQFN (ZUA)

Notes:
1. Ref: JEDEC MO-288B.

PKG. DIMENSIONS(MM)			
SYMBOL	Min	NOM	Max
A	0.50	0.60	0.65
A1	0.00	0.02	0.05
A3	0.15 REF		
D	1.45	1.50	1.55
E	1.95	2.00	2.05
b	0.20	0.25	0.30
b1	0.15	0.20	0.25
b2	0.25	0.30	0.35
e	0.50 BSC		
L	0.25	0.35	0.45
L1	0.30	0.40	0.50

DIODES		PERICOM		DATE: 01/06/17
DESCRIPTION: 10-Pin, UQFN, 1.5X2.0				
PACKAGE CODE: ZUA(ZUA10)				
DOCUMENT CONTROL#: PD-2220			REVISION: --	

17-0002

For latest package info.

please check: <http://www.diodes.com/design/support/packaging/pericom-packaging/packaging-mechanicals-and-thermal-characteristics/>

Ordering Information

Ordering Code	Package Code	Package Description
PI3USB3000ZUAEX	ZUA	10-Pin, 1.5x2.0 (UQFN)

Notes:

1. No purposely added lead. Fully EU Directive 2002/95/EC (RoHS), 2011/65/EU (RoHS 2) & 2015/863/EU (RoHS 3) compliant.
2. See <https://www.diodes.com/quality/lead-free/> for more information about Diodes Incorporated's definitions of Halogen- and Antimony-free, "Green" and Lead-free.
3. Halogen- and Antimony-free "Green" products are defined as those which contain <900ppm bromine, <900ppm chlorine (<1500ppm total Br + Cl) and <1000ppm antimony compounds.
4. E = Pb-free and Green
5. X suffix = Tape/Reel

IMPORTANT NOTICE

1. DIODES INCORPORATED AND ITS SUBSIDIARIES (“DIODES”) MAKE NO WARRANTY OF ANY KIND, EXPRESS OR IMPLIED, WITH REGARDS TO ANY INFORMATION CONTAINED IN THIS DOCUMENT, INCLUDING, BUT NOT LIMITED TO, THE IMPLIED WARRANTIES OF MERCHANTABILITY, FITNESS FOR A PARTICULAR PURPOSE OR NON-INFRINGEMENT OF THIRD PARTY INTELLECTUAL PROPERTY RIGHTS (AND THEIR EQUIVALENTS UNDER THE LAWS OF ANY JURISDICTION).

2. The Information contained herein is for informational purpose only and is provided only to illustrate the operation of Diodes products described herein and application examples. Diodes does not assume any liability arising out of the application or use of this document or any product described herein. This document is intended for skilled and technically trained engineering customers and users who design with Diodes products. Diodes products may be used to facilitate safety-related applications; however, in all instances customers and users are responsible for (a) selecting the appropriate Diodes products for their applications, (b) evaluating the suitability of the Diodes products for their intended applications, (c) ensuring their applications, which incorporate Diodes products, comply the applicable legal and regulatory requirements as well as safety and functional-safety related standards, and (d) ensuring they design with appropriate safeguards (including testing, validation, quality control techniques, redundancy, malfunction prevention, and appropriate treatment for aging degradation) to minimize the risks associated with their applications.

3. Diodes assumes no liability for any application-related information, support, assistance or feedback that may be provided by Diodes from time to time. Any customer or user of this document or products described herein will assume all risks and liabilities associated with such use, and will hold Diodes and all companies whose products are represented herein or on Diodes’ websites, harmless against all damages and liabilities.

4. Products described herein may be covered by one or more United States, international or foreign patents and pending patent applications. Product names and markings noted herein may also be covered by one or more United States, international or foreign trademarks and trademark applications. Diodes does not convey any license under any of its intellectual property rights or the rights of any third parties (including third parties whose products and services may be described in this document or on Diodes’ website) under this document.

5. Diodes products are provided subject to Diodes’ Standard Terms and Conditions of Sale (<https://www.diodes.com/about/company/terms-and-conditions/terms-and-conditions-of-sales/>) or other applicable terms. This document does not alter or expand the applicable warranties provided by Diodes. Diodes does not warrant or accept any liability whatsoever in respect of any products purchased through unauthorized sales channel.

6. Diodes products and technology may not be used for or incorporated into any products or systems whose manufacture, use or sale is prohibited under any applicable laws and regulations. Should customers or users use Diodes products in contravention of any applicable laws or regulations, or for any unintended or unauthorized application, customers and users will (a) be solely responsible for any damages, losses or penalties arising in connection therewith or as a result thereof, and (b) indemnify and hold Diodes and its representatives and agents harmless against any and all claims, damages, expenses, and attorney fees arising out of, directly or indirectly, any claim relating to any noncompliance with the applicable laws and regulations, as well as any unintended or unauthorized application.

7. While efforts have been made to ensure the information contained in this document is accurate, complete and current, it may contain technical inaccuracies, omissions and typographical errors. Diodes does not warrant that information contained in this document is error-free and Diodes is under no obligation to update or otherwise correct this information. Notwithstanding the foregoing, Diodes reserves the right to make modifications, enhancements, improvements, corrections or other changes without further notice to this document and any product described herein. This document is written in English but may be translated into multiple languages for reference. Only the English version of this document is the final and determinative format released by Diodes.

8. Any unauthorized copying, modification, distribution, transmission, display or other use of this document (or any portion hereof) is prohibited. Diodes assumes no responsibility for any losses incurred by the customers or users or any third parties arising from any such unauthorized use.

Copyright © 2021 Diodes Incorporated

www.diodes.com